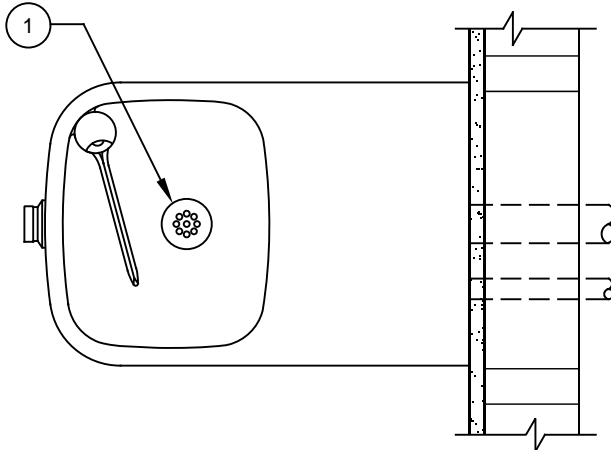


ITEM	DESCRIPTION	1109.14
1	STRAINER, WASTE ASSY	6462
2	BUTTON, PUSH, FLANGED, PCP W/ VALVE	5874PBF
3	VALVE REPAIR KIT	VRK5874
4	PUSH BUTTON ASSY, FLANGED, PCP	PBA6
5	BUBBLER HEAD ASSY, PCP	5703M
6	PLATE, BOTTOM	PBM1109
7	TRAP	0005982900
* 8	BACK PANEL	BP3
* 9	PLATE, MOUNTING	6700

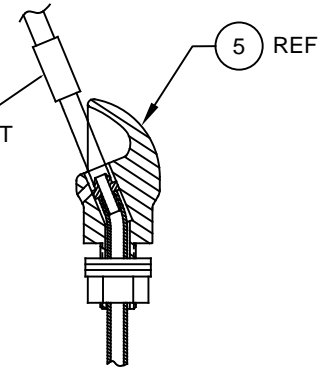
* DENOTES OPTIONAL PART.

NOTES:

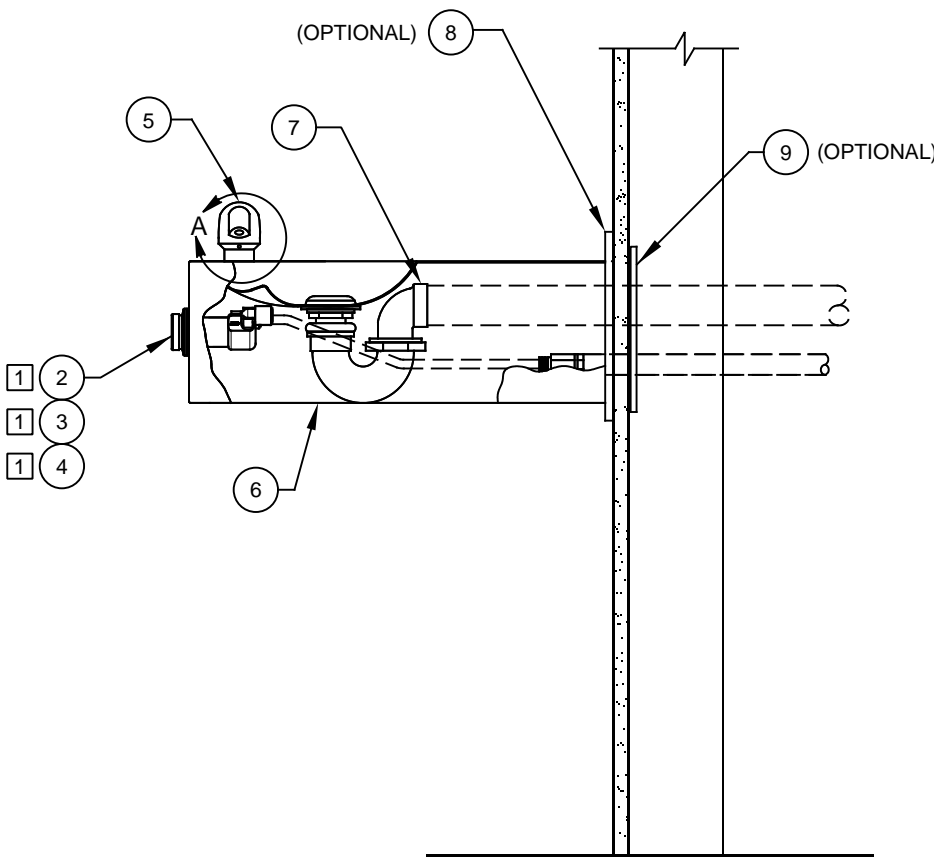
- 1 5874PBF (ITEM 2) INCLUDES VRK5874 CARTRIDGE ASSEMBLY (ITEM 3) AND PBA6 FLANGED PUSH BUTTON (ITEM 4).
- 2 ENSURE TUBE IS DISCONNECTED FROM PUSH BUTTON VALVE BODY PRIOR TO REMOVAL. APPLY ONE DROP OF LOCTITE 222MS TO NOZZLE THREADS PRIOR TO FASTENING BACK ONTO BUBBLER HEAD. RE-ATTACH TUBE TO VALVE.



2 REMOVE INSERT WITH 5/16 HEX SOCKET (NOT SUPPLIED)




DETAIL A
ROTATED 90° INTO VIEW



PARTS BREAKDOWN

WHEN ORDERING PARTS PLEASE SPECIFY MODEL NUMBER.

		Haws [®]		1455 KLEPPE LANE SPARKS, NEVADA 89431 (775) 359-4712 FAX (775) 359-7424 E-MAIL: HAWS@HAWSCO.COM WEBSITE: WWW.HAWSCO.COM		
				ECN NO. REVISED PER BY ECN: 5124 VWC	MODEL(S) 1109.14	PART NUMBER 0002076625
DRAWN F. VASQUEZ	DATE 04/23/98	CHKD VWC	REVISION 15			
APPROVED FV	DATE 07/06/17	SCALE: NA	DRAWING TYPE: PARTS BREAKDOWN	SIZE: A	SHEET 1 OF 1	