



# Figure # 9101

Steam Radiator Valve  
(1/2" - 1-1/2")

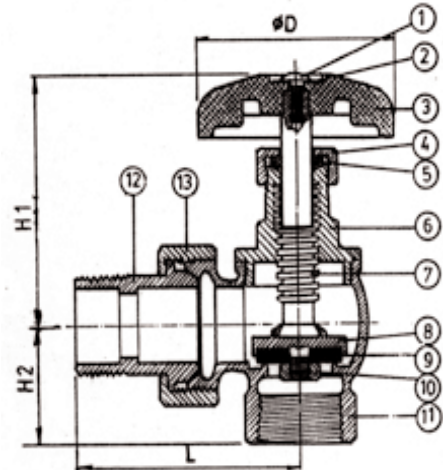
## Product Features

- 15# WSP
- 60# WOG
- Bronze Body
- EPDM Disc
- FIP x Male Union Ends
- Phenolic Handwheel



## Materials & Specifications

Item	Description	Material	Specification
1	Handle Bolt	Steel	SAE 1010R
2	Tag	Aluminum	A1100
3	Handwheel	Phenolic	
4	Packing Nut	Brass	B124 C37700
5	Packing	PTFE Polyflon	M-392
6	Bonnet	Bronze	B584 C84400
7	Stem	Brass	B124 C37700
8	Seat Holder	Bronze	B584 C84400
9	Seat Packing	NBR	SAE # 1052
10	Seat Nut	Brass	B124 C37700
11	Body	Bronze	B584 C84400
12	Union Nipple	Bronze	B584 C84400
13	Union Nut	Bronze	B584 C84400



## Dimensions & Weights (inches-lbs.)

Size	1/2	3/4	1	1-1/4	1-1/2
D	2.3	2.3	2.3	2.3	2.3
H1	2.75	2.75	3.05	3.3	3.5
H2	.95	1.1	1.26	1.4	1.67
L	2.2	2.5	2.85	3.2	3.6
Wt. (lbs.)	.87	1.14	1.55	2.16	2.91

