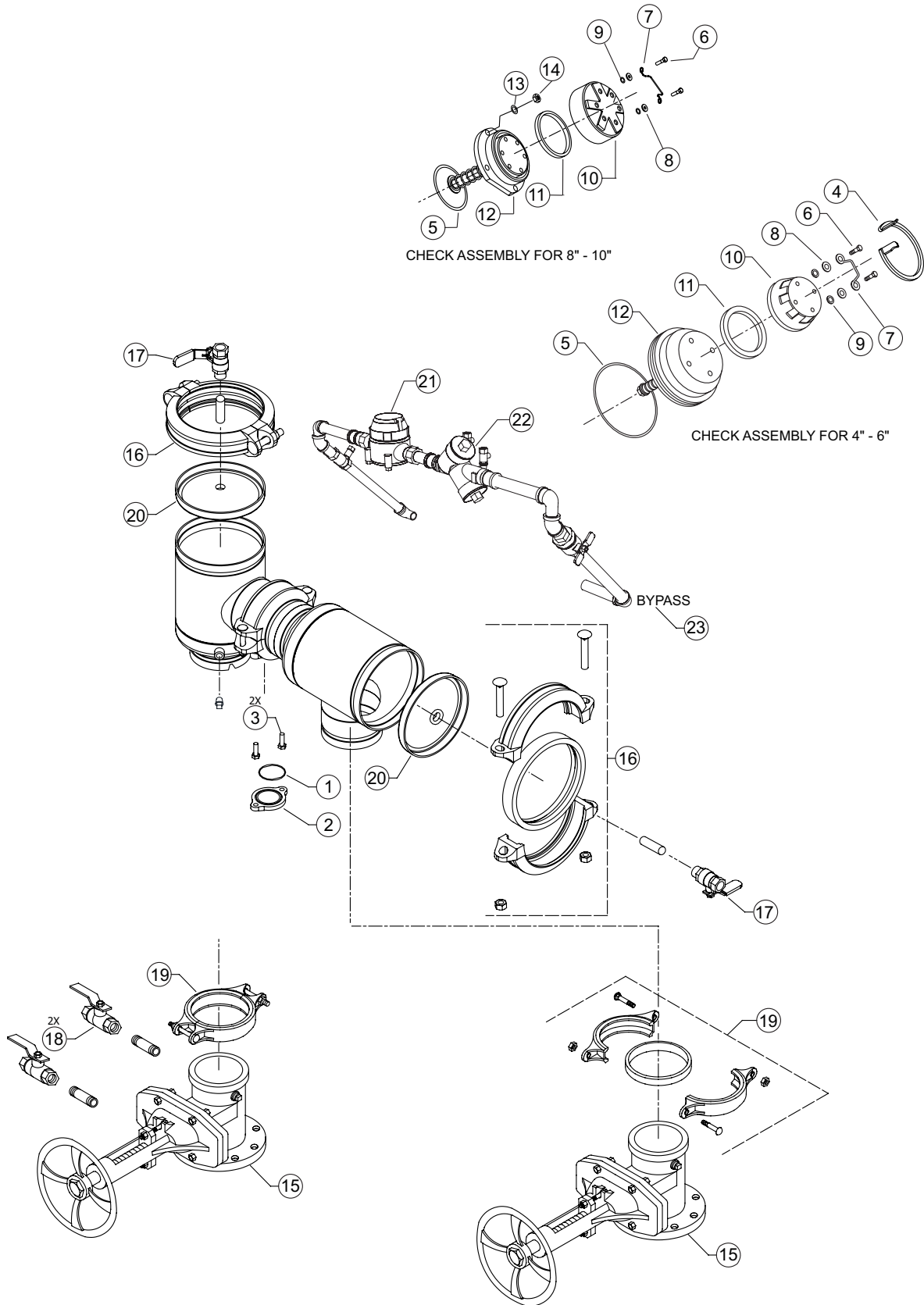


MODEL 450STDA

Stainless Steel Double Check Detector Assembly – 4" to 10"

Parts Drawing



MODEL 375ST



Stainless Steel Reduced Pressure Principle – Backflow Preventers 1/2" to 1"

Repair Kit Components		1/2"		3/4"		1/2" and 3/4"						1"												
Item #	Item Description	RK12-375STBV1	RK12-375STBV2	RK34-375STBV1	RK34-375STBV2	RK34-375	RK34-375R	RK34-375VST	RK34-375W	RK34-375BOF	RK34-375FLUSH	RK34-375-RVCOVER	RK34-375STBVHD	RK1-375STBV1	RK1-375STBV2	RK1-375	RK1-375R	RK1-375VST	RK1-375W	RK1-375BOF	RK1-375FLUSH	RK1-375-RVCOVER	RK1-375STBVHD	
1	Wedge Screw								•(x2)										•(x2)					
2	Wedge								•										•					
3	O-Ring, Sleeve	•		•		•	•		•					•		•	•		•					
4	Sleeve								•										•					
5	O-Ring, #1 Check Seat					•	•	•								•	•	•						
6	#1 Check Seat					•		•								•		•						
7	Poppet Screw					•(x2)		•(x2)								•(x2)		•(x2)						
8	Check Seal Retainer					•(x2)		•(x2)								•(x2)		•(x2)						
9	Check Seal Ring					•(x2)	•(x2)	•(x2)								•(x2)	•(x2)	•(x2)						
10	Poppet					•(x2)		•(x2)								•(x2)		•(x2)						
11	#1 Check Spring					•		•								•		•						
12	#1 Check Spring Retainer					•		•								•		•						
13	O-Ring, #2 Check Seat					•	•	•								•	•	•						
14	#2 Check Seat					•		•								•		•						
15	#2 Check Spring					•		•								•		•						
16	#2 Check Spring Retainer					•		•								•		•						
17	O-Ring, Housing Inlet					•	•	•		•	•					•	•	•			•	•		
18	Test Cock, SS							•(x3)										•(x3)						
19	Check Housing							•										•						
20	O-Ring, Housing Outlet		•		•	•	•	•		•	•				•	•	•	•			•	•		
21	O-Ring, Relief Valve Cover					•	•	•								•	•	•						
22	O-Ring, Relief Valve Seat					•	•	•								•	•	•						
23	Relief Valve Seat					•		•								•		•						
24	Relief Valve Spring					•		•								•		•						
25	Relief Valve Seal Retaining Screw					•		•								•		•						
26	Relief Valve Seal Ring					•	•	•								•	•	•						
27	Relief Valve Lower Plunger					•		•								•		•						
28	Diaphragm					•	•	•								•	•	•						
29	Relief Valve Upper Plunger					•		•								•		•						
30	O-Ring, Relief Valve Stem					•	•	•								•	•	•						
31	Relief Valve Cover							•				•						•					•	
32	Relief Valve Cover Screw, Short							•(x2)										•(x2)						
32	Relief Valve Cover Screw, Long							•(x4)										•(x4)						
33	Inlet Ball Valve, SS	•		•										•										
34	Outlet Ball Valve, SS		•		•										•									
35	Housing, Blow-Out/Flush									•	•										•	•		
35	Flush Hose Assembly										•											•		
36	Red Ball Valve, Handle and Nut												•(x2)											•(x2)
	Test Cock Cap Plug							•(x3)										•(x3)						

Whole Goods (Available for individual sale)

Item #	Item Description	3/4"	1"
18	Test Cock, SS		18-860SS

Item No.	Repair Kit Description
RK12-375STBV1	Inlet Ball Valve Repair Kit, 1/2" 375ST
RK12-375STBV2	Outlet Ball Valve Repair Kit, 1/2" 375ST
3/4"	
RK34-375STBV1	Inlet Ball Valve Repair Kit, 3/4" 375ST
RK34-375STBV2	Outlet Ball Valve Repair Kit, 3/4" 375ST

Item No.	Repair Kit Description
RK34-375	Complete Internals Repair Kit, 1/2" and 3/4" 375ST
RK34-375R	Rubber Repair Kit, 1/2" and 3/4" 375ST
RK34-375VST	Complete Pressure Vessel Repair Kit, 1/2" and 3/4" 375ST
RK34-375W	Wedge Assembly Repair Kit, 1/2" and 3/4" 375ST
RK34-375BOF	Blow-Out/Flush Fitting Repair Kit, 1/2" and 3/4" 375ST
RK34-375FLUSH	Flush Kit, 1/2" and 3/4" 375 Series
RK34-375-RVCOVER	Relief Valve Cover Repair Kit, 1/2" and 3/4" 375ST
RK34-375STBVHD	Red Ball Valve Handle Repair Kit, 1/2" and 3/4"

Item No.	Repair Kit Description
RK1-375STBV1	Inlet Ball Valve Repair Kit, 1" 375ST
RK1-375STBV2	Outlet Ball Valve Repair Kit, 1" 375ST
RK1-375	Complete Internals Repair Kit, 1" 375ST
RK1-375R	Rubber Repair Kit, 1" 375ST
RK1-375VST	Complete Pressure Vessel Repair Kit, 1" 375ST
RK1-375W	Wedge Assembly Repair Kit, 1" 375ST
RK1-375BOF	Blow-Out/Flush Fitting Repair Kit, 1" 375ST
RK1-375FLUSH	Flush Kit, 1" 375ST
RK1-375-RVCOVER	Relief Valve Cover Repair Kit, 1" 375ST
RK1-375STBVHD	Red Ball Valve Handle Repair Kit, 1"