

## Valve Boxes - Index

Item Number	Description	Page
VB261	18/24 SCREW VBX "WATER"	VB3
VB262	24/36 SCREW VBX "WATER"	VB3
VB262X	24/36" SCREW VBX "HEAVY DUTY"	VB3
VB262X-35	24/36" SCREW VBX HD-CLASS 35	VB3
VB264	36/48 SCREW VBX "WATER"	VB3
VB264X	36/48 SCREW VBX "WATER"-HD	VB3
VB266	48/60 SCREW VBX "WATER"	VB3
VB266X	48/60 SCREW VBX -HD	VB3
VB267	51/71 SCREW VBX "WATER"	VB3
VB267H	51/71 SCREW VBX - HD	VB3
VB268	63/83 SCREW VBX "WATER"	VB3
VB461	18/24 SLIP VBX "WATER"	VB3
VB462	27/37 SLIP VBX "WATER"	VB3
VB464	39/49 SLIP VBX "WATER"	VB3
VB466	39/59 SLIP VBX "WATER"	VB3
VB467	51/71 SLIP VBX "WATER"	VB3
VB468	18/24 SLIP VBX "WATER"	VB3
VB2600D	5-1/4" STD VBX COVER "DRAIN"	VB3
VB2600G	5-1/4" STD VBX COVER "GAS"	VB3
VB2600S	5-1/4" STD VBX COVER "SEWER"	VB3
VB2600W	5-1/4" STD VBX COVER "WATER"	VB3
VB630A	33/42 3-PC VBX	VB3
VB630AA	27/31 3-PC VBX	VB4
VB630B	30/49 3-PC VBX	VB4
VB630C	45/54 3-PC VBX	VB4
VB630CC	51/60 3-PC VBX	VB4
VB630D	45/66 3-PC VBX	VB4
VB630DD	51/72 RND BSE VBX	VB4
VB630E	63/72 3-PC VBX	VB4
VB630F	63/84 3-PC VBX	VB4
VB630G	74/94 3-PC VBX	VB4
VB2601	1" VB RISER LESS LID	VB5
VB26015	1 1/2" VB RISER LESS LID	VB5
VB2602	2" VB RISER LESS LID	VB5
VB2603	3" VB RISER LESS LID	VB5
VB2604	4" VB RISER LESS LID	VB5
VB2605	5" VB RISER LESS LID	VB5
VB2606	6" VB RISER LESS LID	VB5
VB240Q	18/24 ROADWAY VBX	VB6
VB241Q	22/30 ROADWAY VBX	VB6
VB242Q	30/36 ROADWAY VBX	VB6
VB242R	30/43 ROADWAY VBX	VB6
VB243R	36/48 ROADWAY VBX	VB6
VB244R	40/54 ROADWAY VBX	VB6
VB245R	49/62 ROADWAY VBX	VB6

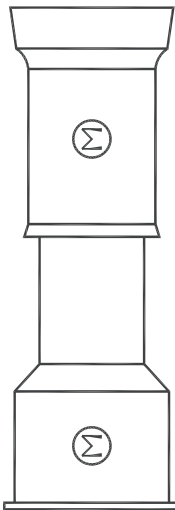
# Valve Boxes

# Municipal

## VB261-8 and VB461-8

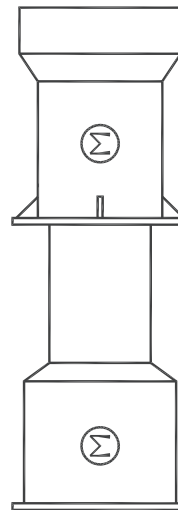
CASTINGS

### SCREW TYPE



VALVE BOX COMPLETE

### SLIP TYPE



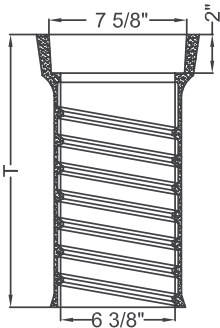
VALVE BOX COMPLETE

SREW TYPE	SPECIFICATIONS COMMON TO SREW TYPE & SLIP TYPE.						SLIP TYPE
	COMPLETE		TOP		BOTTOM		
ITEM #	HEIGHT RANGE	APPX. WT (LBS.)	LENGTH (T) (INCHES)	APPX. WT (LBS.)	LENGTH (B) (INCHES)	APPX. WT (LBS.)	ITEM #
VB261	18-22	54	10	32	15	32	VB461
VB262	27-37	72	16	41	24	32	VB462
VB264	39-49	81	16	41	36	41	VB464
VB266	39-59	99	26	59	36	41	VB466
VB267	51-71	122	26	59	48	63	VB467
VB268	63-83	131	26	59	60	72	VB468

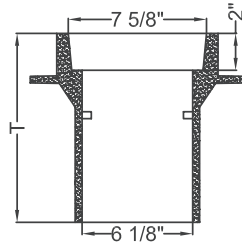
Also Available in Extra Heavy Weights:

Item No.	Weight
VB262X	76
VB262X-35*	76
VB264X	90
VB266X	110
VB267H	129

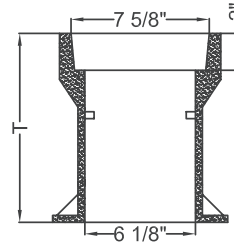
\*Denotes Class 35 Cast Iron



TOP SECTION

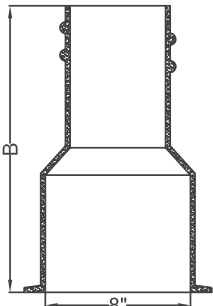


WITH TOP FLANGE



WITH BOTTOM FLANGE

TOP SECTION



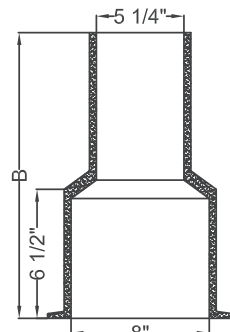
BOTTOM SECTION

LIDS FIT IN BOTH SCREW TYPE & SLIP TYPE VALVE BOXES

VB2600 (5 1/4" DROP LID)

VB2625 (5 1/4" LOCK LID)

Item No.	Lid Marking
VB2600D	DRAIN
VB2600G	GAS
VB2600S	SEWER
VB2600W	WATER



BOTTOM SECTION

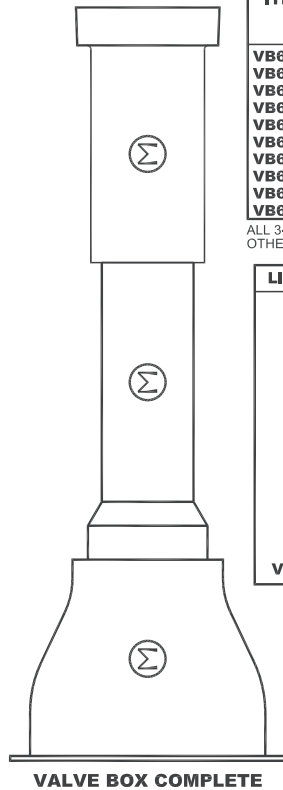


Municipal

# Valve Boxes

CASTING

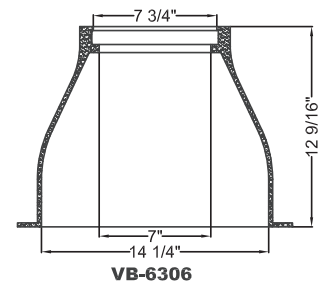
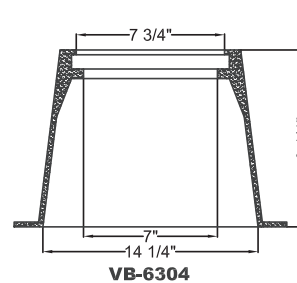
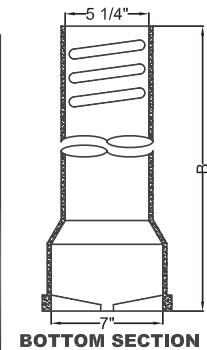
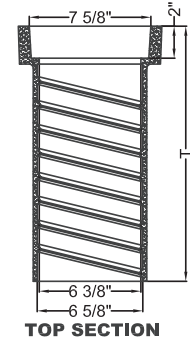
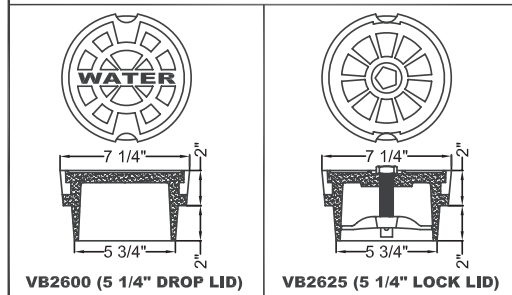
## VB630



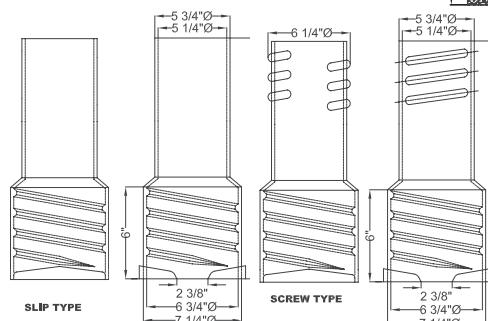
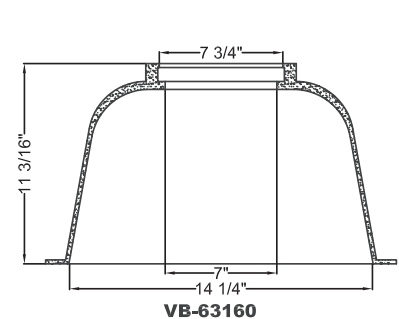
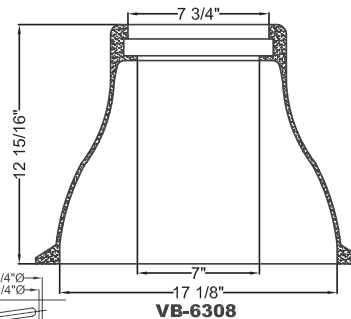
ITEM #	CAST IRON VALVE BOXES 3 PIECE SCREW TYPE.					
	COMPLETE		TOP		BOTTOM	
	HEIGHT RANGE	APPX. WT (LBS.)	LENGTH (T) (INCHES)	APPX. WT (LBS.)	LENGTH (B) (INCHES)	APPX. WT (LBS.)
VB630A	27-31	81	10	32	12	18
VB630AA	33-42	95	16	41	18	23
VB630B	39-49	100	16	41	24	27
VB630C	45-54	104	16	41	30	32
VB630CC	51-60	108	16	41	36	36
VB630D	45-66	122	26	59	30	32
VB630DD	51-72	126	26	59	36	36
VB630E	63-72	131	16	41	48	59
VB630F	63-84	149	26	59	48	59
VB630G	74-94	158	26	59	60	63

ALL 3-PIECE VALVE BOXES ARE SUPPLIED WITH A STANDARD #6 BASE. OTHER BASES ARE ALSO AVAILABLE AS SHOWN.

**LIDS FIT IN BOTH SCREW TYPE & SLIP TYPE VALVE BOXES**



Item No.	Lid Marking
VB2600D	DRAIN
VB2600G	GAS
VB2600S	SEWER
VB2600W	WATER



ITEM #	6"	12"	20 LBS	ITEM #
VB6302-12	6"	12"	20 LBS	VB6302A-12
VB6302-18	12"	18"	25 LBS	VB6302A-18
VB6302-24	18"	24"	30 LBS	VB6302A-24
VB6302-30	24"	30"	35 LBS	VB6302A-30
VB6302-36	30"	36"	44 LBS	VB6302A-36