

**Proudly Made in  
the U.S.A.**



In stock colors

**White**  
37875



**Brick Red**  
20109



**Yellow**  
33538



**Blue**  
15187



**Safety Red**  
31350



**Seattle Yellow**  
23594



**Black**  
37038



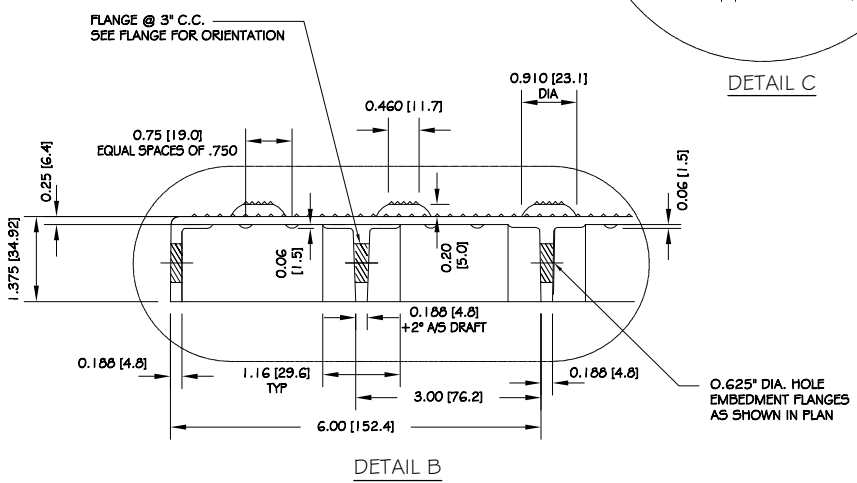
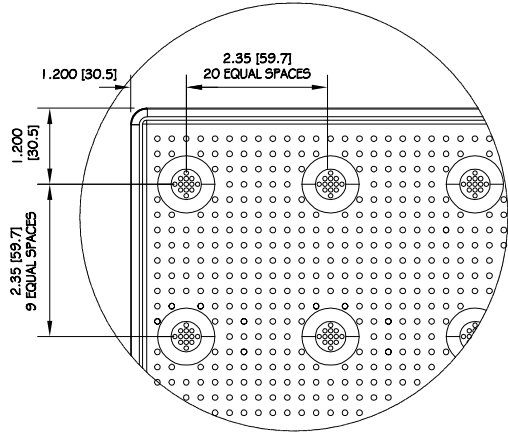
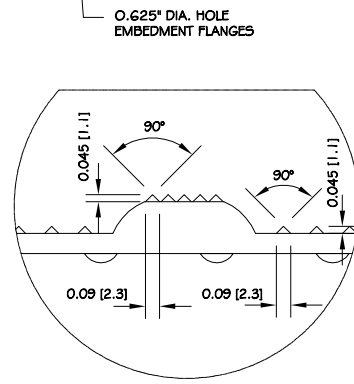
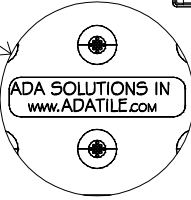
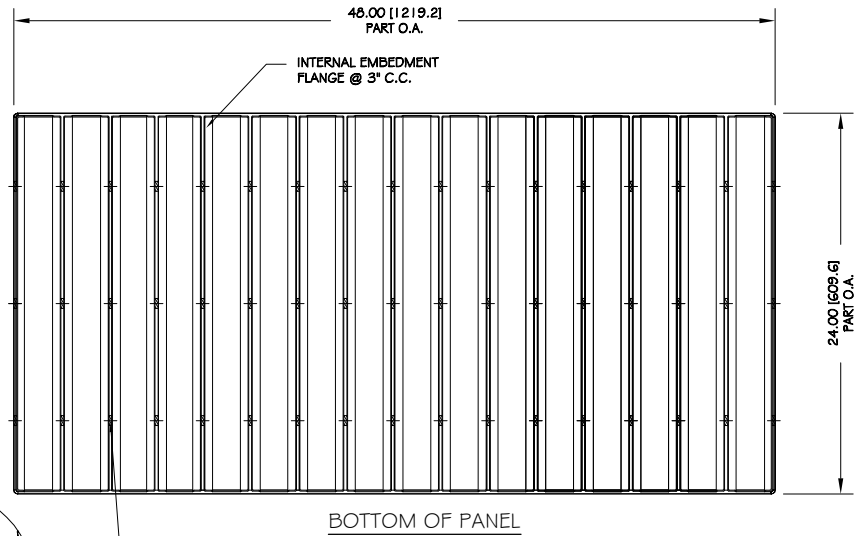
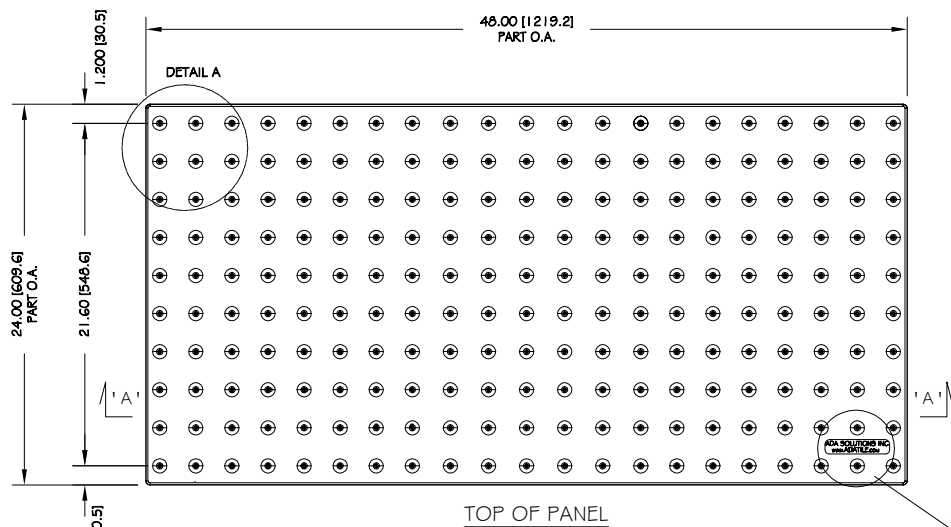
**Dark Gray**  
36081



**Clay Red**  
22144



ADA SOLUTIONS, INC.  
WWW.ADATILE.COM



ALL DIMENSIONS NOMINAL PRIMARY DIMENSION INCHES mm IN PARENTHESES	
TRADE TACTILE WARNING SURFACE	PART NO. 2448IDPAV2_
MATERIAL SMC COMPOSITE	
PROJECT CAST-IN-PLACE TACTILE WARNING SURFACE UNIT 2.350" (59.7mm) IN LINE TRUNCATED DOMI PART SIZE: 24" (610mm) x 48" (1219mm) PLANS AND DETAILS	
DRAWING NO. ADA-CIP2448_2	DATE 06-15-17
 <b>ADA SOLUTIONS, INC.</b> DETECTABLE WARNING SURFACES FOR PEDESTRIAN CROSSINGS  WWW.ADATILE.COM PHONE: (800)372-0519 EMAIL: INFO@ADATILE.COM	