

**Proudly Made in
the U.S.A.**



In stock colors

White
37875



Brick Red
20109



Yellow
33538



Blue
15187



Safety Red
31350



Seattle Yellow
23594



Black
37038



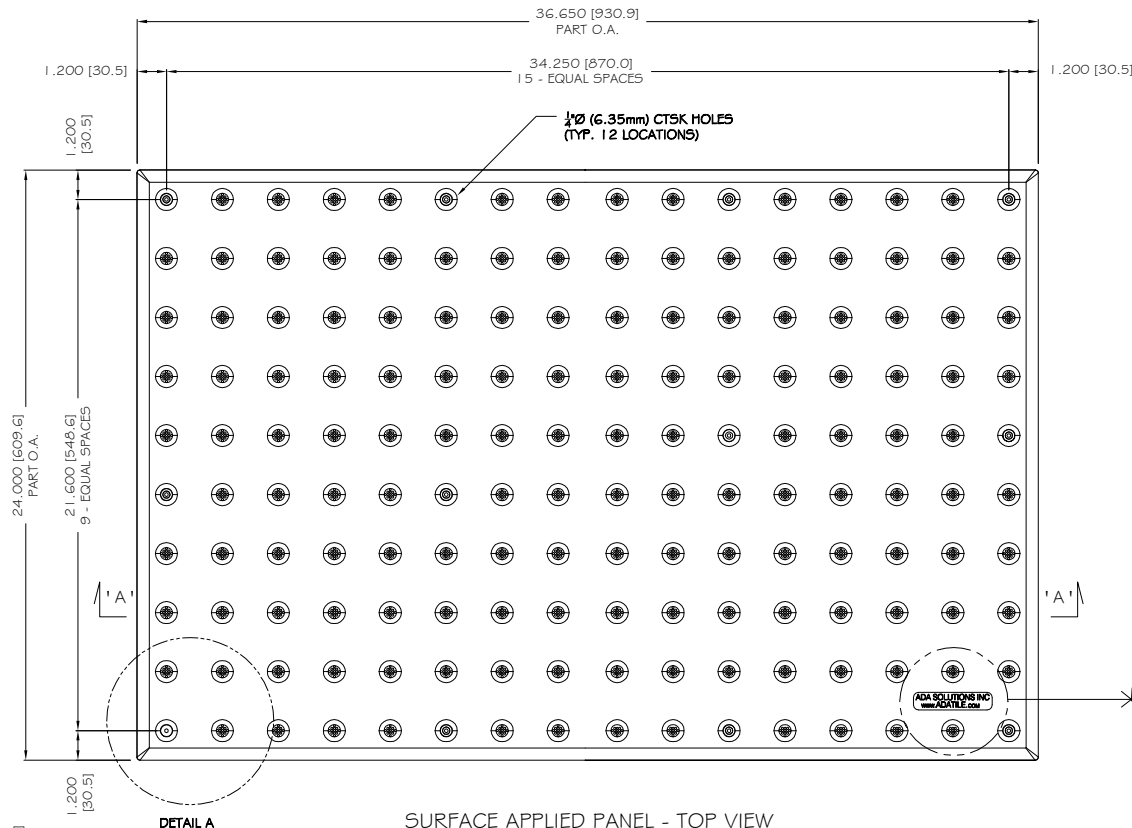
Dark Gray
36081



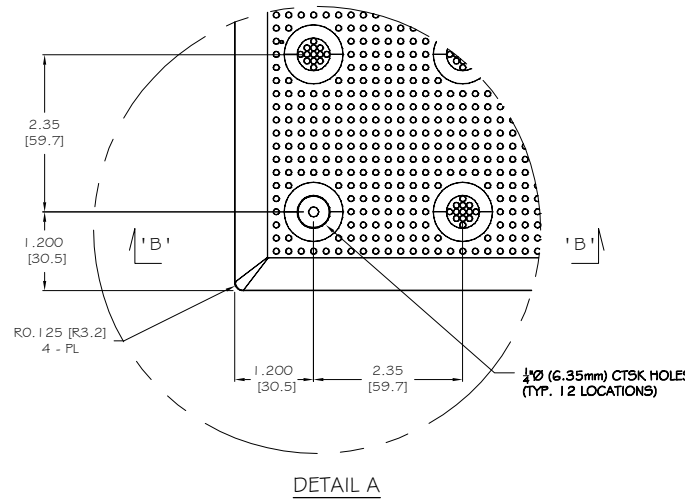
Clay Red
22144



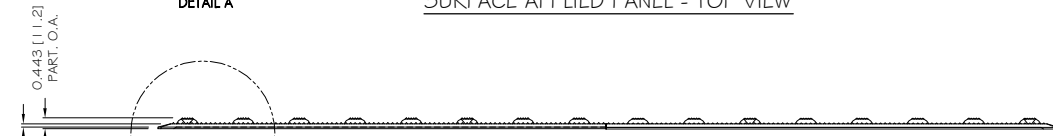
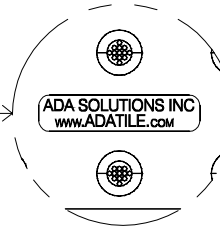
ONS INC
.COM



SURFACE APPLIED PANEL - TOP VIEW



DETAIL A

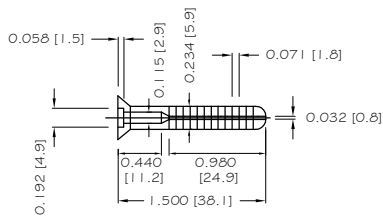


SECTION A-A

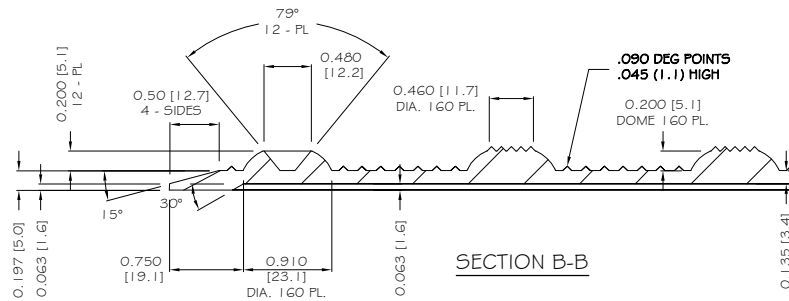


DETAIL B

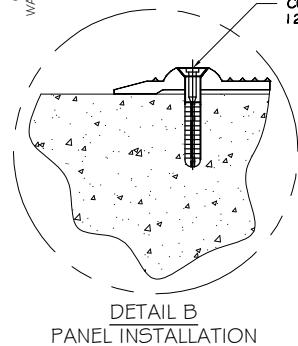
**COMPOSITE SLEEVE ANCHOR
12 TOTAL PER PANEL**



**COMPOSITE SLEEVE ANCHOR
WITH STAINLESS STEEL NAIL
1/4" X 1 1/2" (6.35mm X 38.1mm)**



SECTION B-B



**DETAIL B
PANEL INSTALLATION**

ALL DIMENSIONS NOMINAL
PRIMARY DIMENSION INCHES
mm IN PARENTHESES

TRADE TACTILE WARNING SURFACE	PART NO. 2436IDRET2_
MATERIAL SMC COMPOSITE	

PROJECT
SURFACE APPLIED TACTILE
WARNING SURFACE PANEL
12-ANCHOR LOCATIONS
2.35" (59.7MM) IN LINE TRUNCATED DOME
PART SIZE: 24" x 36" (610MM X 914MM)
PLANS AND DETAILS

DRAWING NO. ADA-SA2436_2	DATE 06-16-17
-----------------------------	------------------



WWW.ADATILE.COM
PHONE: (800)372-0519
EMAIL: INFO@ADATILE.COM