

Floor Mounted Flush Valve Bowl



Product Features

- 1.0-1.6 gpf
- Siphon jet flush
- Vitreous china
- 17-1/8" elongated flush valve bowl
- Rough-in: 10" or 12"
- Spud Size: 1-1/2" top
- Trapway: 2" fully glazed
- Water Spot: 11-1/2" x 13"
- Flush valve not included

Codes and Certifications



- IAPMO/cUPC
- EPA WaterSense Certified
- ASME A112.19.2 / CSA B45.1
- MaP Rated 1000g
- Meets ADA guidelines



Available Colors: White (WH)

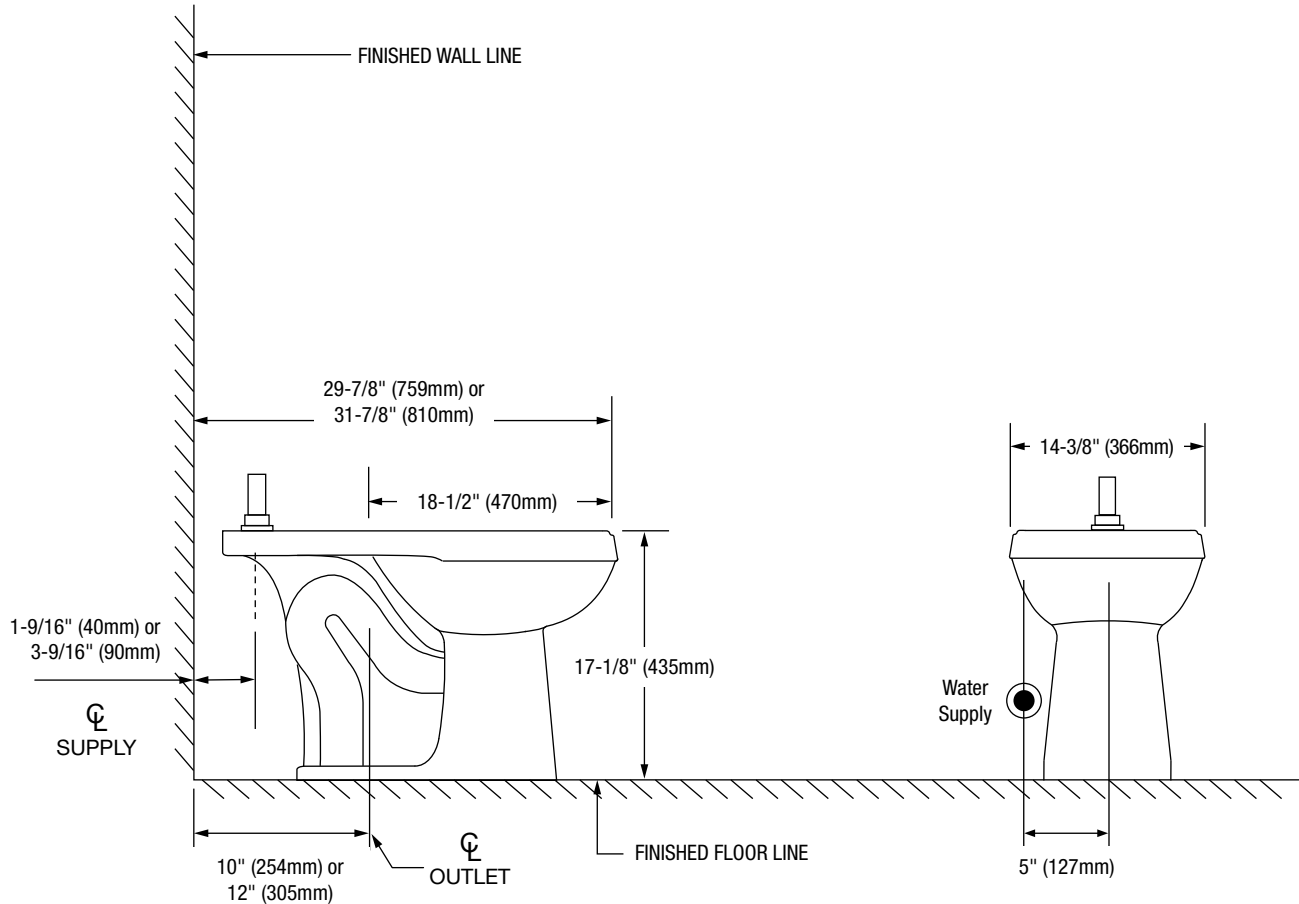
Model

PF1723WH

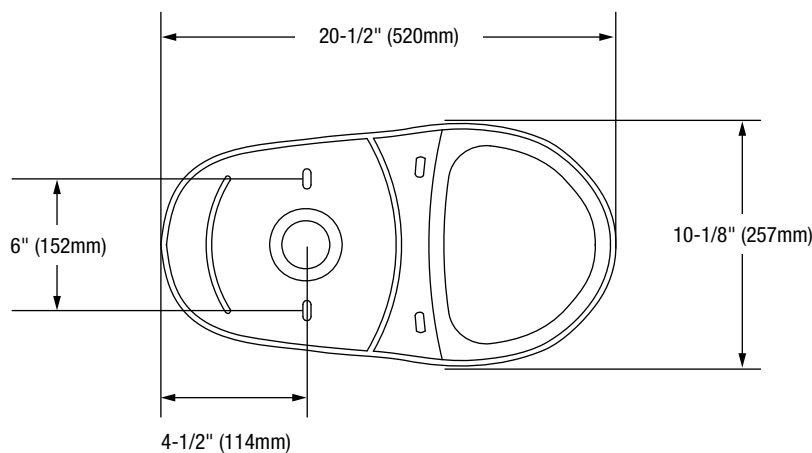
Elongated Flush Valve Bowl - 17-1/8"

This product comes complete with installation, operating, care and maintenance instructions. All PROFLO fixtures carry a lifetime limited warranty on the vitreous china and a 5-year limited warranty on the fittings. Visit [ferguson.com/PROFLO-vitreous-china-warranty](https://www.ferguson.com/PROFLO-vitreous-china-warranty) for detailed warranty information.

Floor Mounted Flush Valve Bowl



Bowl Footprint Dimensions



Note: All dimensions and specifications are nominal and may vary: Dimensions of 8" and greater have a tolerance of +3%. Dimensions less than 8" have a tolerance of +5%.