

SPECIFICATIONS

FNW7872 STRUT ACCESSORIES



O.D. STRUT CLAMP

FEATURES

- O.D. strut clamps are used to securely attach pipe to strut channel assemblies.
- Pre-assembled and stocked with an electro-galvanized finish

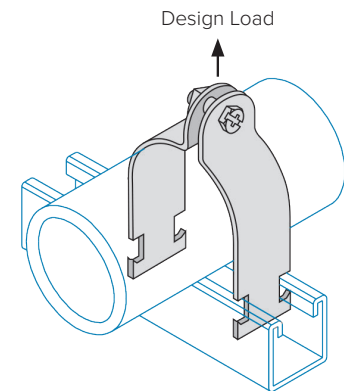
PRODUCT SPECIFICATIONS

Material

- Carbon steel – ASTM A1011-00 SS GR 33 or ASTM A1011-00CS Type B

Finish

- Z – Electro-galvanized (standard finish). Electroplating deposits zinc on the surface of the steel by electrolysis from a bath of zinc salts. Recommended for relatively dry indoor use. This is the standard coating for most FNW products. Thickness of applied zinc is between 0.2 mils to 0.5 mils [5.1 µm to 12.7 µm]. Coatings on FNW Z products meet ASTM B633 SC1 Type III.
- HD – Hot dip galvanized after fabrication. Fabricated product is dipped in molten zinc and is completely covered on all surfaces. Recommended for outdoor use. Coatings on FNW HD products meet ASTM A123/153. The zinc coating is typically 2.6 mils [66.0 µm] or 1.5 oz. per square foot [0.46 kg per square meter] per side.
- S4 – 304 Stainless steel – ASTM A240 (Type 304)
- S6 – 316 Stainless steel – ASTM A240 (Type 316)
316 Stainless steel nuts – ASTM A276-03
- Y – Yellow zinc dichromate. A 0.5 mil [12.7 µm] electro-galvanized zinc plating meeting ASTM B633 SC1 Type III is applied to the surface of the metal. Yellow dichromate is applied over the zinc. This results in a yellowish gold appearance and acts as a nonporous barrier sealant that is corrosion resistant and can be painted.



REFERENCE CHART-1

Catalog Number	Size O.D.		Design Load		Weight	
	in.	mm	lbs	Kn	lbs	kg
FNW7872Z0025	1/4	6	400	1.78	0.08	0.036
FNW7872Z0037	3/8	10	400	1.78	0.08	0.036
FNW7872Z0050	1/2	13	400	1.78	0.08	0.036
FNW7872Z0062	5/8	16	400	1.78	0.09	0.041
FNW7872Z0075	3/4	19	400	1.78	0.10	0.045
FNW7872Z0087	7/8	22	400	1.78	0.11	0.050
FNW7872Z0100	1	25	600	2.67	0.14	0.064
FNW7872Z0112	1-1/8	29	600	2.67	0.15	0.068

Catalog Number	Size O.D.		Design Load		Weight	
	in.	mm	lbs	Kn	lbs	kg
FNW7872Z0125	1-1/4	32	600	2.67	0.16	0.073
FNW7872Z0137	1-3/8	35	600	2.67	0.16	0.073
FNW7872Z0150	1-1/2	38	600	2.67	0.16	0.073
FNW7872Z0162	1-5/8	41	600	2.67	0.17	0.077
FNW7872Z0175	1-3/4	45	800	3.56	0.28	0.127
FNW7872Z0187	1-7/8	48	800	3.56	0.28	0.127
FNW7872Z0200	2	51	800	3.56	0.29	0.132
FNW7872Z0212	2-1/8	54	800	3.56	0.31	0.141

FNW7872

STRUT ACCESSORIES



O.D. STRUT CLAMP

REFERENCE CHART-2

Catalog Number	Size O.D.		Design Load		Weight	
	in.	mm	lbs	Kn	lbs	kg
FNW7872Z0225	2-1/4	57	800	3.56	0.31	0.141
FNW7872Z0237	2-3/8	60	800	3.56	0.33	0.150
FNW7872Z0250	2-1/2	64	800	3.56	0.34	0.154
FNW7872Z0262	2-5/8	67	800	3.56	0.35	0.159
FNW7872Z0275	2-3/4	70	800	3.56	0.33	0.150
FNW7872Z0287	2-7/8	73	800	2.56	0.38	0.172
FNW7872Z0300	3	76	800	3.56	0.38	0.172
FNW7872Z0312	3-1/8	79	800	3.56	0.39	0.177
FNW7872Z0325	3-1/4	83	800	3.56	0.41	0.186
FNW7872Z0337	3-3/8	86	800	3.56	0.43	0.195
FNW7872Z0350	3-1/2	89	800	3.56	0.45	0.204
FNW7872Z0362	3-5/8	92	1000	3.56	0.53	0.240
FNW7872Z0375	3-3/4	95	1000	4.45	0.55	0.249
FNW7872Z0387	3-7/8	98	1000	4.45	0.57	0.259
FNW7872Z0400	4	102	1000	4.45	0.59	0.268
FNW7872Z0412	4-1/8	105	1000	4.45	0.59	0.268
FNW7872Z0425	4-1/4	108	1000	4.45	0.60	0.272
FNW7872Z0437	4-3/8	111	1000	4.45	0.60	0.272
FNW7872Z0450	4-1/2	114	1000	4.45	0.63	0.286
FNW7872Z0462	4-5/8	118	1000	4.45	0.63	0.286
FNW7872Z0475	4-3/4	121	1000	4.45	0.65	0.295
FNW7872Z0487	4-7/8	124	1000	4.45	0.66	0.299
FNW7872Z0500	5	127	1000	4.45	0.70	0.318
FNW7872Z0512	5-1/8	130	1000	4.45	0.71	0.322
FNW7872Z0525	5-1/4	133	1000	4.45	0.73	0.331
FNW7872Z0537	5-3/8	137	1000	4.45	0.75	0.340
FNW7872Z0550	5-1/2	140	1000	4.45	0.71	0.322
FNW7872Z0562	5-5/8	143	1000	4.45	0.74	0.336
FNW7872Z0575	5-3/4	146	1000	4.45	0.73	0.331
FNW7872Z0587	5-7/8	149	1000	4.45	0.78	0.354

Catalog Number	Size O.D.		Design Load		Weight	
	in.	mm	lbs	Kn	lbs	kg
FNW7872Z0600	6	152	1000	4.45	0.76	0.345
FNW7872Z0612	6-1/8	156	1000	4.45	0.77	0.349
FNW7872Z0625	6-1/4	159	1000	4.45	0.84	0.381
FNW7872Z0637	6-3/8	162	1000	4.45	0.86	0.390
FNW7872Z0650	6-1/2	165	1000	4.45	0.87	0.395
FNW7872Z0662	6-5/8	168	1000	4.45	0.89	0.404
FNW7872Z0675	6-3/4	172	1000	4.45	0.90	0.408
FNW7872Z0687	6-7/8	175	1000	4.45	0.91	0.413
FNW7872Z0700	7	178	1000	4.45	0.93	0.422
FNW7872Z0712	7-1/8	181	1000	4.45	0.94	0.426
FNW7872Z0725	7-1/4	184	1000	4.45	0.95	0.431
FNW7872Z0737	7-3/8	187	1000	4.45	0.97	0.440
FNW7872Z0750	7-1/2	191	1000	4.45	0.98	0.445
FNW7872Z0762	7-5/8	194	1000	4.45	1.00	0.454
FNW7872Z0775	7-3/4	197	1000	4.45	1.01	0.458
FNW7872Z0787	7-7/8	200	1000	4.45	1.02	0.463
FNW7872Z0800	8	203	1000	4.45	1.04	0.472
FNW7872Z0812	8-1/8	206	1000	4.45	1.05	0.476
FNW7872Z0825	8-1/4	210	1000	4.45	1.06	0.481
FNW7872Z0837	8-3/8	213	1000	4.45	1.08	0.490
FNW7872Z0850	8-1/2	216	1000	4.45	1.09	0.494
FNW7872Z0862	8-5/8	219	1000	4.45	1.11	0.503
FNW7872Z0875	8-3/4	222	1000	4.45	1.12	0.508
FNW7872Z0887	8-7/8	225	1000	4.45	1.14	0.517
FNW7872Z0900	9	229	1000	4.45	1.15	0.522
FNW7872Z0912	9-1/8	232	1000	4.45	1.16	0.526
FNW7872Z0925	9-1/4	235	1000	4.45	1.18	0.535
FNW7872Z0938	9-3/8	238	1000	4.45	1.19	0.540
FNW7872Z0950	9-1/2	241	1000	4.45	1.20	0.544
FNW7872Z0962	9-5/8	245	1000	4.45	1.22	0.553

FNW7872

STRUT ACCESSORIES



O.D. STRUT CLAMP

REFERENCE CHART-3

Catalog Number	Size O.D.		Design Load		Weight	
	in.	mm	lbs	Kn	lbs	kg
FNW7872Z0975	9-3/4	248	1000	4.45	1.23	0.558
FNW7872Z0987	9-7/8	251	1000	4.45	1.25	0.567
FNW7872Z1000	10	254	1000	4.45	1.26	0.572
FNW7872Z1012	10-1/8	257	1000	4.45	1.27	0.576
FNW7872Z1025	10-1/4	260	1000	4.45	1.29	0.585
FNW7872Z1037	10-3/8	264	1000	4.45	1.30	0.590
FNW7872Z1050	10-1/2	267	1000	4.45	1.31	0.594
FNW7872Z1062	10-5/8	270	1000	4.45	1.33	0.603
FNW7872Z1075	10-3/4	273	1000	4.45	1.34	0.608
FNW7872Z1087	10-7/8	276	1000	4.45	1.35	0.612
FNW7872Z1100	11	279	1000	4.45	1.37	0.621
FNW7872Z1112	11-1/8	283	1000	4.45	1.38	0.626
FNW7872Z1125	11-1/4	286	1000	4.45	1.40	0.635
FNW7872Z1137	11-3/8	289	1000	4.45	1.10	0.499
FNW7872Z1150	11-1/2	292	1000	4.45	1.42	0.644
FNW7872Z1162	11-5/8	295	1000	4.45	1.44	0.653
FNW7872Z1175	11-3/4	299	1000	4.45	1.45	0.658
FNW7872Z1187	11-7/8	302	1000	4.45	1.46	0.662
FNW7872Z1200	12	305	1000	4.45	1.48	0.671
FNW7872Z1212	12-1/8	308	1000	4.45	1.49	0.676
FNW7872Z1225	12-1/4	311	1000	4.45	1.51	0.685
FNW7872Z1237	12-3/8	314	1000	4.45	1.52	0.689
FNW7872Z1250	12-1/2	318	1000	4.45	1.53	0.694
FNW7872Z1262	12-5/8	321	1000	4.45	1.55	0.703
FNW7872Z1275	12-3/4	324	1000	4.45	1.56	0.708
FNW7872Z1287	12-7/8	327	1000	4.45	1.57	0.712
FNW7872Z1300	13	330	1000	4.45	1.59	0.721
FNW7872Z1400	14	356	1000	4.45	1.63	0.739
FNW7872Z1425	14-1/4	362	1000	4.45	1.72	0.780
FNW7872Z1500	15	381	1000	4.45	1.73	0.785

Catalog Number	Size O.D.		Design Load		Weight	
	in.	mm	lbs	Kn	lbs	kg
FNW7872Z1525	15-1/4	387	1000	4.45	1.76	0.798
FNW7872Z1600	16	406	1000	4.45	1.84	0.835
FNW7872Z1612	16-1/8	410	1000	4.45	1.85	0.839
FNW7872Z1625	16-1/4	413	1000	4.45	1.94	0.880
FNW7872Z1800	18	457	1000	4.45	2.05	0.930
FNW7872Z1825	18-1/4	464	1000	4.45	2.16	0.980
FNW7872Z2000	20	508	1000	4.45	2.26	1.025
FNW7872Z2025	20-1/4	514	1000	4.45	2.38	1.080
FNW7872Z1525	15-1/4	387	1000	4.45	1.76	0.798
FNW7872Z1600	16	406	1000	4.45	1.84	0.835
FNW7872Z1612	16-1/8	410	1000	4.45	1.85	0.839
FNW7872Z1625	16-1/4	413	1000	4.45	1.94	0.880
FNW7872Z1800	18	457	1000	4.45	2.05	0.930
FNW7872Z1825	18-1/4	464	1000	4.45	2.16	0.980
FNW7872Z2000	20	508	1000	4.45	2.26	1.025
FNW7872Z2025	20-1/4	514	1000	4.45	2.38	1.080