

SPECIFICATIONS

FNW7874

STRUT ACCESSORIES



UNIVERSAL STRUT CLAMP

FEATURES

- Universal Strut Clamps are used to attach pipe and thin walled tubing to strut channel assemblies.
- Preassembled and come stocked with an electro-galvanized finish

PRODUCT SPECIFICATIONS

Material

- Carbon steel – ASTM A1011-00 SS GR 33 or ASTM A1011-00CS Type B

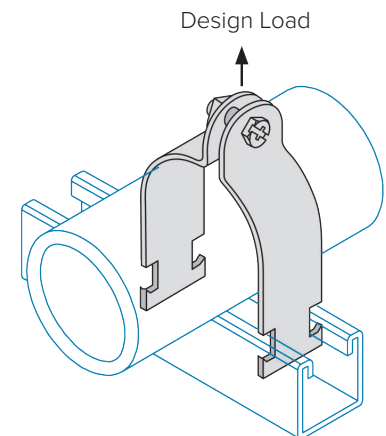
Finish

- Z – Electro-galvanized (standard finish). Electroplating deposits zinc on the surface of the steel by electrolysis from a bath of zinc salts. Recommended for relatively dry indoor use. This is the standard coating for most FNW products. Thickness of applied zinc is between 0.2 mils to 0.5 mils [5.1 μm to 12.7 μm]. Coatings on FNW Z products meet ASTM B633 SC1 Type III.
- Y – Yellow zinc dichromate. A 0.5 mil [12.7 μm] electro-galvanized zinc plating meeting ASTM B633 SC1 Type III is applied to the surface of the metal. Yellow dichromate is applied over the zinc. This results in a yellowish gold appearance and acts as a nonporous barrier sealant that is corrosion resistant and can be painted.



REFERENCE CHART

Catalog Number	Clamp Sizes*		O.D.		Design Load		Weight	
	in.	mm	in.	mm	lbs	kN	lbs	kg
FNW7874Z0050	1/2	15	0.773	20	400	1.78	0.10	0.045
FNW7874Z0075	3/4	20	0.986	25	600	2.67	0.13	0.059
FNW7874Z0100	1	25	1.239	32	600	2.67	0.15	0.068
FNW7874Z0125	1-1/4	32	1.585	40	600	2.67	0.17	0.077
FNW7874Z0150	1-1/2	40	1.820	46	800	3.56	0.29	0.132
FNW7874Z0200	2	50	2.286	58	800	3.56	0.34	0.154



* These clamps are designed to fit both pipe (rigid conduit) and thin walled tubing (EMT) in the corresponding sizes.