

SPECIFICATIONS

FIGURE 7816

STRUT CLAMPS



CUSHIONED TUBING STRUT CLAMP

FEATURES

- Made in the USA
- Ideal for any application where shock, vibration and corrosion are a problem
- UL Classified 2043 (25/50) for use in plenums and air handling systems
- ANSI/MSS SP-58 Type 60 and Type 61 Certified
- Clamps are 1008-1010 carbon steel
- Studs are projection welded
- Nylon insert locknut
- Resists most fuels, oils, gases, greases, solvents, mineral acids and other harsh materials
- Eliminates shock and vibration
- Assembled or disassembled with a single hand or power wrench for fast and simple installation
- All metal components have a trivalent (non-hex) plating
- Available for 1/4" to 6-1/8" O.D. tube; 1/4" to 8" nominal pipe
- Available in 304 (S) and 316 (S6) stainless steel
- Molded with high-strength Thermoplastic Elastomer (TPE)
- UV resistant
- Temperature rating: -65°F to +275°F

USE RECOMMENDATIONS

- Cushion Clamps should be spaced no more than 5 feet apart
- All tube, pipe and hose lines are to be secured with cushion clamps and anchoring channel or other similar approved equal method.
- FNW strut mounted cushion clamp assemblies include clamps with welded fastener, cushion and locknut.

For Hoses: Measure hose outside diameter and select nearest OD size.

Note: Torque specification provided upon request.

MADE IN THE
USA

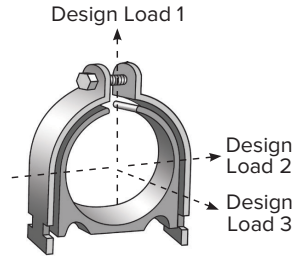


SPECIFICATIONS

FIGURE 7816
STRUT CLAMPS



CUSHIONED TUBING STRUT CLAMP



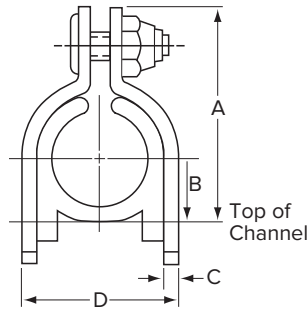
Catalog Number	O.D.		Load 1		Load 2		Load 3	
	in.	mm	lbs	kn	lbs	kn	lbs	kn
FNW7816Y0025	1/4	6.4	400	1.78	50	0.22	50	0.22
FNW7816Y0037	3/8	9.5	400	1.78	50	0.22	50	0.22
FNW7816Y0050	1/2	12.7	400	1.78	50	0.22	50	0.22
FNW7816Y0062	5/8	15.9	400	1.78	50	0.22	50	0.22
FNW7816Y0075	3/4	19.0	600	2.67	75	0.33	75	0.33
FNW7816Y0087	7/8	22.3	600	2.67	75	0.33	75	0.33
FNW7816Y0100	1	25.4	600	2.67	75	0.33	75	0.33
FNW7816Y0112	1-1/8	28.6	600	2.67	75	0.33	75	0.33
FNW7816Y0125	1-1/4	31.8	600	2.67	75	0.33	75	0.33
FNW7816Y0137	1-3/8	34.9	600	2.67	75	0.33	75	0.33
FNW7816Y0150	1-1/2	38.1	600	2.67	75	0.33	75	0.33
FNW7816Y0162	1-5/8	41.3	600	2.67	75	0.33	75	0.33
FNW7816Y0175	1-3/4	44.5	800	3.56	125	0.56	125	0.56
FNW7816Y0187	1-7/8	47.6	800	3.56	125	0.56	125	0.56
FNW7816Y0200	2	50.8	800	3.56	125	0.56	125	0.56
FNW7816Y0212	2-1/8	54.0	800	3.56	125	0.56	125	0.56
FNW7816Y0225	2-1/4	57.1	800	3.56	125	0.56	125	0.56
FNW7816Y0237	2-3/8	60.3	800	3.56	125	0.56	125	0.56
FNW7816Y0251	2-1/2	63.5	800	3.56	125	0.56	125	0.56
FNW7816Y0262	2-5/8	66.7	800	3.56	125	0.56	125	0.56
FNW7816Y0287	2-7/8	73.0	800	3.56	125	0.56	125	0.56
FNW7816Y0300	3	76.2	800	3.56	125	0.56	125	0.56
FNW7816Y0312	3-1/8	78.4	800	3.56	125	0.56	125	0.56
FNW7816Y0362	3-5/8	92.1	1000	4.45	200	0.89	150	0.67
FNW7816Y0412	4-1/8	104.8	1000	4.45	200	0.89	150	0.67
FNW7816Y0512	5-1/8	130.2	1000	4.45	200	0.89	150	0.67
FNW7816Y0612	6-1/8	155.6	1000	4.45	200	0.89	150	0.67

SPECIFICATIONS

FIGURE 7816
STRUT CLAMPS



CUSHIONED TUBING STRUT CLAMP



Catalog Number	A		B		C		D	
	in.	mm	in.	mm	in.	mm	in.	mm
FNW7816Y0025	1.11	28.2	0.22	5.6	0.075	1.9	0.62	15.7
FNW7816Y0037	1.24	31.5	0.28	7.1	0.075	1.9	0.75	19.1
FNW7816Y0050	1.36	34.5	0.34	8.6	0.075	1.9	0.87	22.1
FNW7816Y0062	1.50	38.1	0.41	10.4	0.075	1.9	1.00	25.4
FNW7816Y0075	1.78	45.2	0.53	13.5	0.075	1.9	1.33	33.8
FNW7816Y0087	1.91	48.5	0.58	14.7	0.075	1.9	1.45	36.8
FNW7816Y0100	2.03	51.6	0.66	16.8	0.075	1.9	1.66	42.2
FNW7816Y0112	2.16	54.9	0.72	18.3	0.075	1.9	1.79	45.5
FNW7816Y0125	2.30	58.4	0.78	19.8	0.105	2.7	1.92	48.8
FNW7816Y0137	2.75	69.9	0.91	23.1	0.119	3.0	2.22	56.4
FNW7816Y0150	2.75	69.9	0.91	23.1	0.119	3.0	2.22	56.4
FNW7816Y0162	3.03	77.0	1.03	26.2	0.119	3.0	2.47	62.7
FNW7816Y0175	3.03	77.0	1.03	26.2	0.119	3.0	2.47	62.7
FNW7816Y0187	3.28	83.3	1.16	29.5	0.119	3.0	2.47	62.7
FNW7816Y0200	3.28	83.3	1.16	29.5	0.119	3.0	2.72	69.1
FNW7816Y0212	3.53	89.7	1.28	32.5	0.119	3.0	2.97	75.4
FNW7816Y0225	3.78	96.0	1.41	35.8	0.119	3.0	3.22	81.8
FNW7816Y0237	3.78	96.0	1.41	35.8	0.119	3.0	3.22	81.8
FNW7816Y0251	4.03	102.4	1.53	38.9	0.119	3.0	3.47	88.1
FNW7816Y0262	4.03	102.4	1.53	38.9	0.119	3.0	3.47	88.1
FNW7816Y0287	4.28	108.7	1.65	41.9	0.119	3.0	3.73	94.7
FNW7816Y0300	4.52	114.8	1.78	45.2	0.119	3.0	3.97	100.8
FNW7816Y0312	4.52	114.8	1.78	45.2	0.119	3.0	3.97	100.8
FNW7816Y0362	5.03	127.8	2.03	51.6	0.119	3.0	4.47	113.5
FNW7816Y0412	5.66	143.8	2.34	59.4	0.119	3.0	5.09	129.3
FNW7816Y0512	6.75	171.5	2.81	71.4	0.119	3.0	6.25	158.8
FNW7816Y0612	7.75	196.9	3.31	84.1	0.119	3.0	7.50	190.5