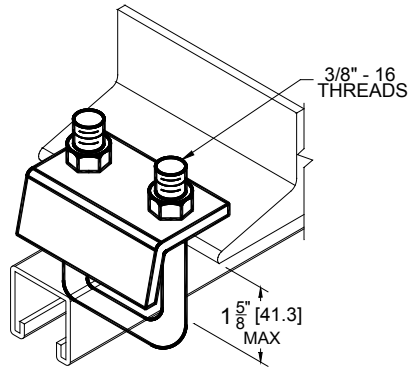
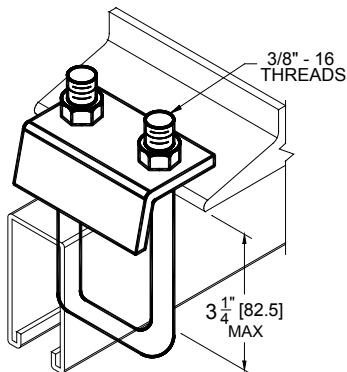


FIGURE 7803 - Square U-Bolt to Beam Clamp



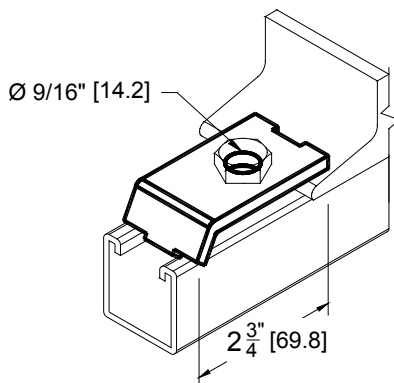
For 13/16" & 1-5/8" Channel
 Design load 1200 Lbs [5.34 kN] when used in pairs
 Catalog Number: FNW7803Z

FIGURE 7804 - Square U-Bolt Strut to Beam Clamp



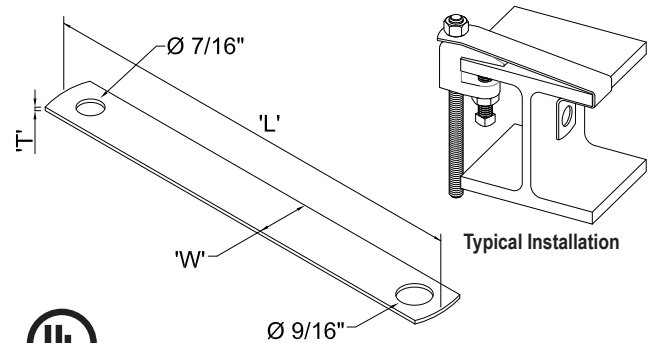
For 2-7/16" & 3-1/4" Channel
 Design load 1200 Lbs [5.34 kN] when used in pairs
 Catalog Number: FNW7804Z

FIGURE 7805 - Notched Type Strut to Beam Clamp



Material is 1-5/8" [41.3] wide x 1/4" [6.3] thick
 Clamp requires 1/2"-13 HCS and 1/2" channel nut, order separately
 Design load 1100 Lbs [4.89 kN] when used in pairs
 Catalog Number: FNW7805Z

FIGURE 7250 - Beam Clamp Retaining Strap

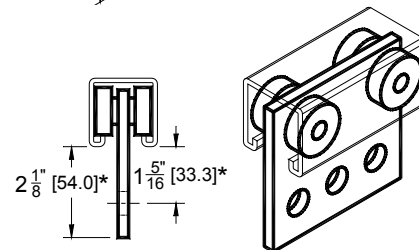
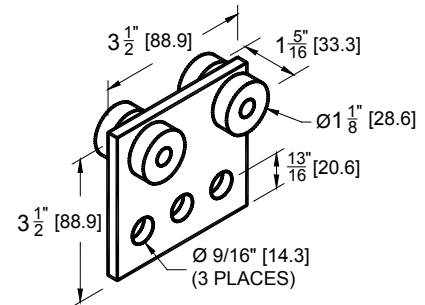


UL Approved

Finish: G90 Galvanized Coating
 Material: Carbon Steel, ASTM A653 type B

Catalog Number	W	T	L
FNW7250Z0600	0.95"	16 ga.	8.00"
FNW7250Z0800	0.95"	16 ga.	10.00"
FNW7250Z1000	0.95"	16 ga.	12.00"
FNW7250Z1200	0.95"	16 ga.	14.00"
FNW7250Z1400	0.95"	16 ga.	16.00"

FIGURE 7865 - Roller Trolley 4-Bearing Assembly



Stainless steel ball bearings
 Max load rating of 600 lbs. [2.67 kN] with 12ga channel
 * Based on standard dimensions for channel
 Catalog Number: FNW7865Z4