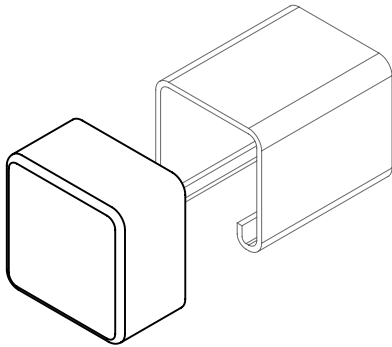
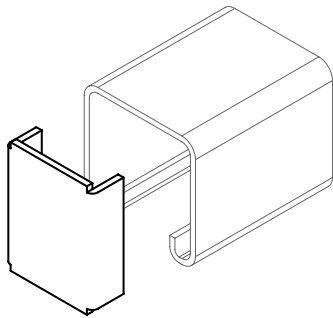


FIGURE 7830 - PVC Channel End Cap (1/5/8")



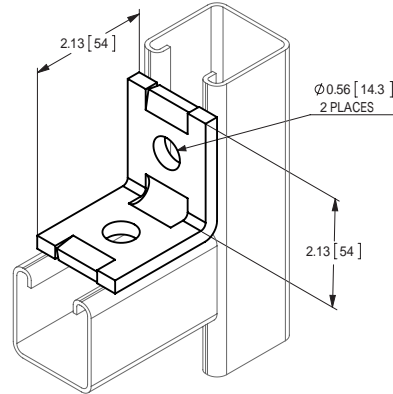
White PVC
Catalog Number: FNW7830W0162

FIGURE 7831 - Channel End Cap (1-5/8")



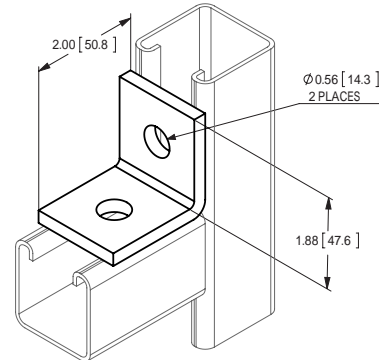
End Cap 1-5/8" 12 Ga.
Catalog Number: FNW7831Z0162

FIGURE 7840 - No Twist 2-Hole Corner Angle Fitting

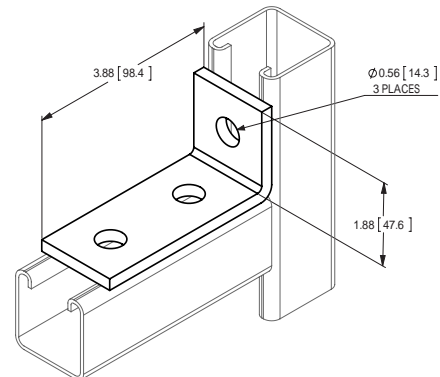


Catalog Number: FNW7840Z2

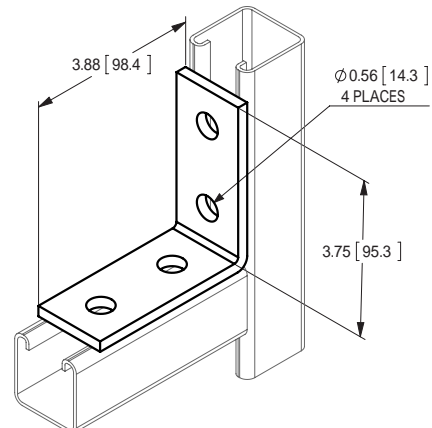
FIGURE 7841 - Corner Angle Fitting



Catalog Number: FNW7841Z2
FNW7841S2



Catalog Number: FNW7841Z3



Catalog Number: FNW7841Z4
FNW7841S4