

SPECIFICATIONS

FNW7811 PIPE SUPPORT



BRACKET CHANNEL

FEATURES

- FNW Strut Brackets are designed to support pipe or conduit either suspended from threaded rod or supported as a cantilever from the wall.
- Can be mounted in the reverse position with same uniform load limit.

PRODUCT SPECIFICATIONS

Material Specifications and Finishes

Z*: Electro-Galvanized. Electroplating deposits zinc on the surface of the steel by electrolysis from a bath of zinc salts. Recommended for relatively dry indoor use. This is the standard coating for most FNW strut products. Thickness of applied zinc is between 0.2 mils to 0.5 mils [5.1 µm to 12.7 µm]. Coatings on FNW Z products meet ASTM B633 SC1 Type III.

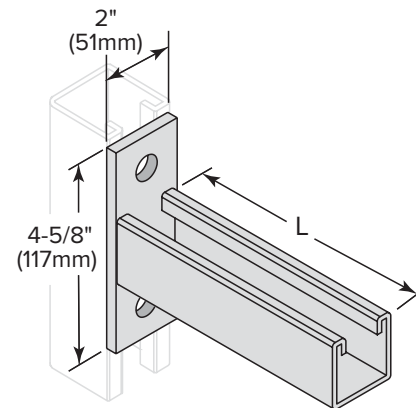
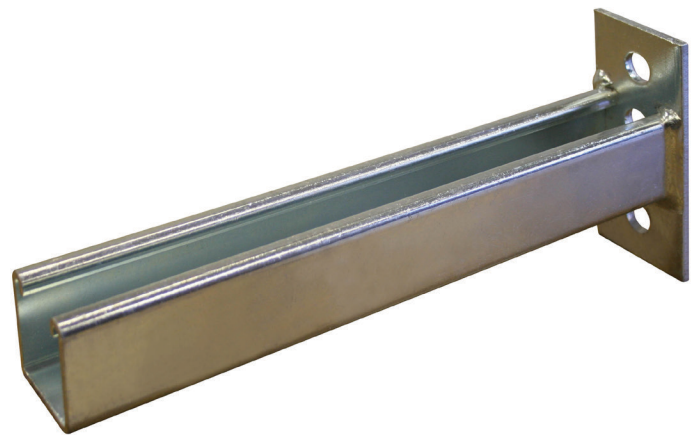
HD: Hot Dip Galvanized After Fabrication. Fabricated product is dipped in molten zinc and is completely covered on all surfaces. Recommended for outdoor use. Coatings on FNW HD products meet ASTM A123/153. The zinc coating is typically 2.6 mils [66.0 µm] or 1.5 oz. per square foot [0.46 kg per square meter] per side.

S4: 304 Stainless Steel – ASTM A240 (Type 304)

S6: 316 Stainless Steel – ASTM A240 (Type 316), 316 Stainless Steel Nuts – ASTM A276-03

Y: Yellow Zinc Dichromate. A 0.5 mil [12.7 µm] electro-galvanized zinc plating meeting ASTM B633 SC1 Type III is applied to the surface of the metal. Yellow Dichromate is applied over the zinc. This results in a yellowish gold appearance and acts as a nonporous barrier sealant that is corrosion resistant and can be painted.

*Standard Finish: Z



Catalog Number	L		Uniform Load*		Weight		Base Dimensions			
	in.	mm	lbs	kN	lbs	kg	Height (in.)	Height (mm)	Width (in.)	Width (mm)
FNW7811Z1200	12	305	750	3.34	2.36	1.07	4-5/8"	117	2	51
FNW7811Z1800	18	457	500	2.22	3.28	1.49	4-5/8"	117	2	51
FNW7811Z2400	24	610	350	1.56	4.49	2.04	4-5/8"	117	2	51

* When mounted on 12 gauge channel