

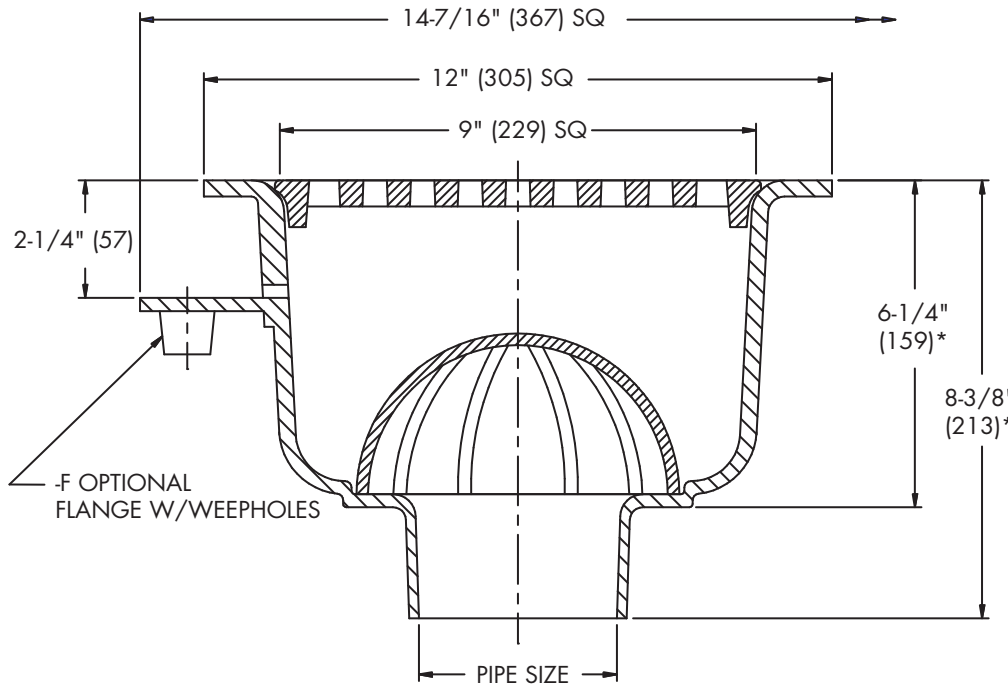


FS-730

Tag: _____

**12" Square x 6" Deep
Sanitary Floor Sink**

SPECIFICATION: Watts Drainage FS-730 12"(305) square x 6"(152) deep sanitary floor sink with white porcelain enamel coated interior, loose set porcelain enamel coated cast iron grate, aluminum dome bottom strainer, and no hub (standard) outlet.



Pipe Sizing (Select One)		
Suffix	Description	
2	2"(51) Pipe Size	<input type="checkbox"/>
3	3"(76) Pipe Size	<input type="checkbox"/>
4	4"(102) Pipe Size	<input type="checkbox"/>

Outlet Type (Select One)		
Suffix	Description	
NH	No Hub (MU)	<input type="checkbox"/>
P	Push On	<input type="checkbox"/>

Options (Select One or More)		
Suffix	Description	
-F	Flange with Weepholes	<input type="checkbox"/>
-FC	Flange w/ Weepholes & Flashing Clamp	<input type="checkbox"/>
-1	Nickel Bronze Top	<input type="checkbox"/>
-3	Stainless Steel Rim and Grate	<input type="checkbox"/>
-5	Sediment Bucket	<input type="checkbox"/>
-6	Vandal Proof (-1, -3 Only)	<input type="checkbox"/>
-7	Trap Primer Tapping	<input type="checkbox"/>
-9	Hinged Grate (-1 Only)	<input type="checkbox"/>
-21	Secondary Strainer	<input type="checkbox"/>
-22	Less Grate	<input type="checkbox"/>
-128	Grate with 2-1/2"(64) Center Opening	<input type="checkbox"/>
-150	1/2 Grate	<input type="checkbox"/>
-175	3/4 Grate	<input type="checkbox"/>
-F4-1	4" Round Nickel Bronze Funnel	<input type="checkbox"/>
-F6-1	6" Round Nickel Bronze Funnel	<input type="checkbox"/>
-G-1	4x9" Oval Nickel Bronze Funnel	<input type="checkbox"/>

*ADD 5/8" (16) FOR -1 NICKEL BRONZE TOP OR -3 STAINLESS STEEL TOP

Free Area Sq. In.
31

Job Name _____ Contractor _____

Job Location _____ Contractor's P.O. No. _____

Engineer _____ Representative _____

WATTS Drainage reserves the right to modify or change product design or construction without prior notice and without incurring any obligation to make similar changes and modifications to products previously or subsequently sold. See your WATTS Drainage representative for any clarification. Dimensions are subject to manufacturing tolerances.



Specification Drainage Products

USA: 100 Watts Road, Spindale, NC, 28160-2298; TEL: 828-288-2179 TOLL-FREE: 1-800-338-2581 www.watts.com