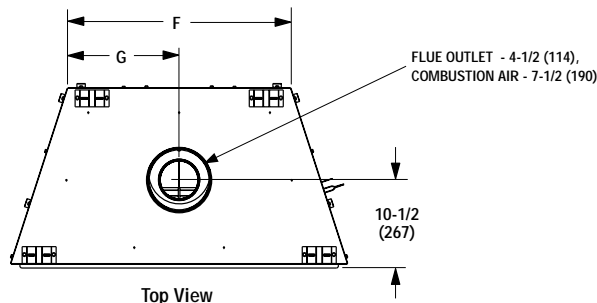
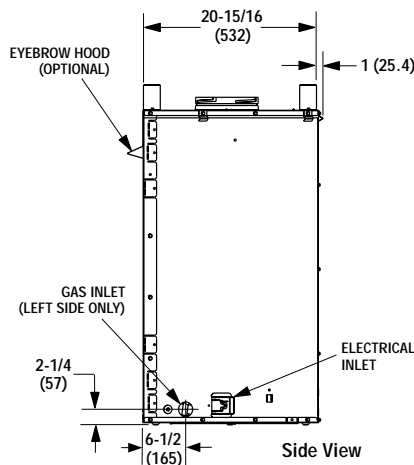
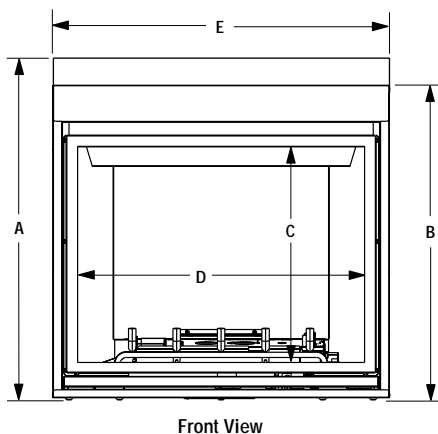


ELDV-35/40/45

Appliance Specifications



Model No.		A	B	C	D	E	F	G	H
ELDV35	in.	40 1/8	37 1/8	25 5/8	29 1/8	35 1/8	21 1/2	10 3/4	32 1/2
	mm	1091	943	651	740	892	546	273	825
ELDV40	in.	40 1/8	37 1/8	25 5/8	34 1/8	40 1/8	26 1/2	13 3/4	32 1/2
	mm	1091	943	651	867	1019	675	337	825
ELDV45	in.	40 1/8	37 1/8	25 5/8	39 1/8	45 1/8	31 1/2	15 3/4	32 1/2
	mm	1091	943	651	994	1146	802	401	825



Product Reference Information

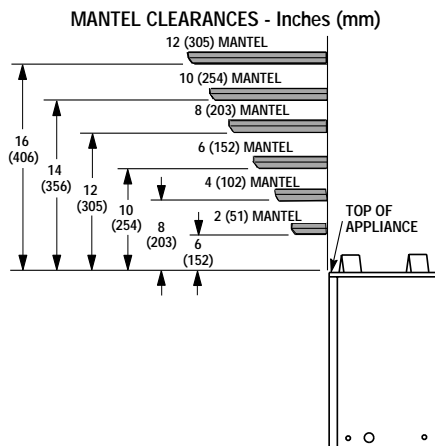
	Weight	Cubic Ft.	BTU/HR
ELDV35N	159 lb.	26.1	27000
ELDV35P	159 lb.	26.1	25000
ELDV40N	182 lb.	29.6	29000
ELDV40P	182 lb.	29.6	26000
ELDV45N	202 lb.	33.03	30000
ELDV45P	202 lb.	33.03	30000

Note: All specifications, ratings and dimensions are subject to change without notice.

Fireplace Finishes

Mantels And Trim

Vertical installation clearances to combustible mantels vary according to the depth of the mantel. The figure below details these required clearances. Mantels constructed of non-combustible materials may be installed at any height above the appliance opening, however, do not allow anything to hang below the eyebrow.



Minimum Clearance To Combustibles

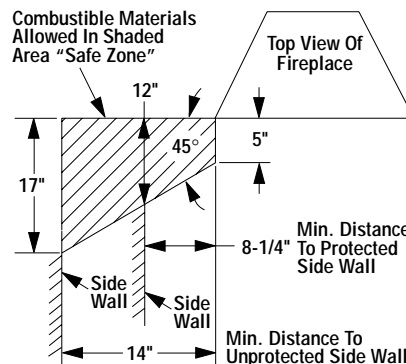
A hearth extension is not required with this appliance. If a hearth extension is used, do not block the control compartment access panel. Any hearth extension used is for appearance only and does not have to conform to standard hearth extension installation requirements.

Note: Combustible wall finish materials and/or surround materials must not be allowed to encroach the area defined by the appliance front face (black sheet metal). Never allow combustible materials to be positioned in front of or overlapping the appliance front face.

Note: Paint or lacquer uses to finish the mantel must be heat resistant in order to avoid discoloration.

Wall Details

Combustible materials may project beyond the sides of the fireplace opening as long as they are kept within the shaded areas illustrated in the figure below.



Note: Diagrams, illustrations and photographs are not to scale - Consult Installation Instructions. Product designs, materials, dimensions, specifications, colors and prices are subject to change or discontinuance without notice.

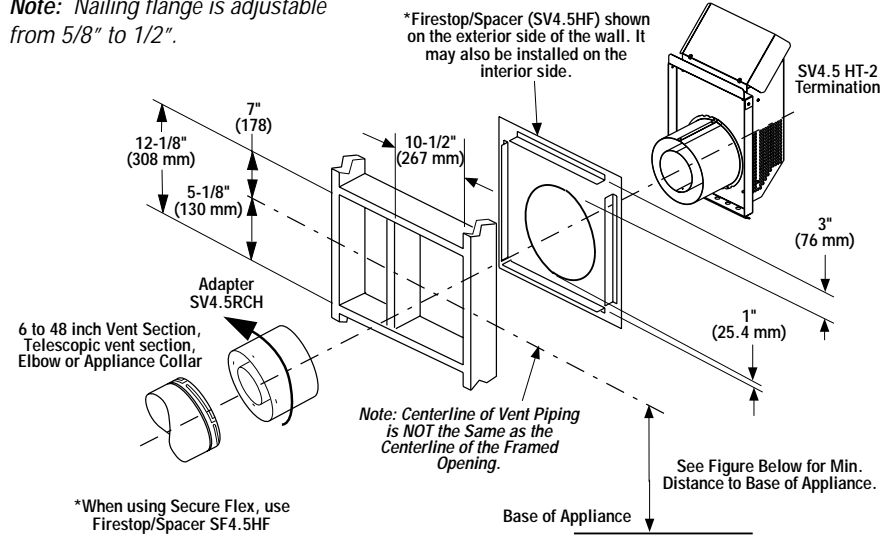
NOTE: DIAGRAMS & ILLUSTRATIONS NOT TO SCALE.



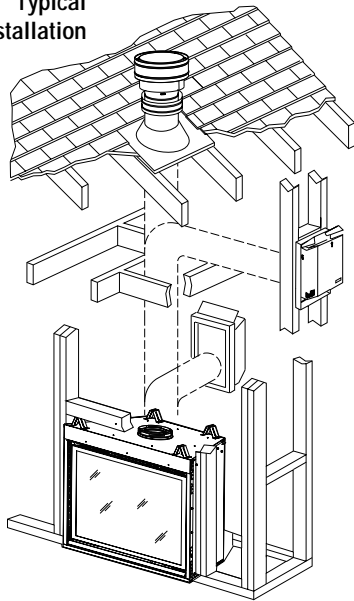
ELDV-35/40/45

Framing Specifications

Note: Nailing flange is adjustable from 5/8" to 1/2".



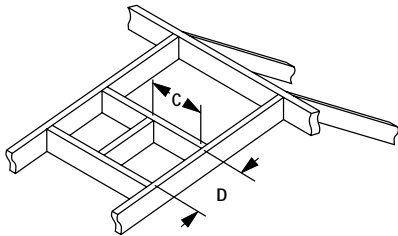
Typical Installation



Clearances To Combustibles

Back	1/2 in. - 0 in. spacers
Sides	1/2 in. - 0 in. spacers
Top Spacers	0 in.
Floor	0 in.
Vent	1 in.*
Vent Seal Cap	1 in.
SERVICE CLEARANCES	
Front Back Or Side	3 Feet

* 3" above any horizontal vent component

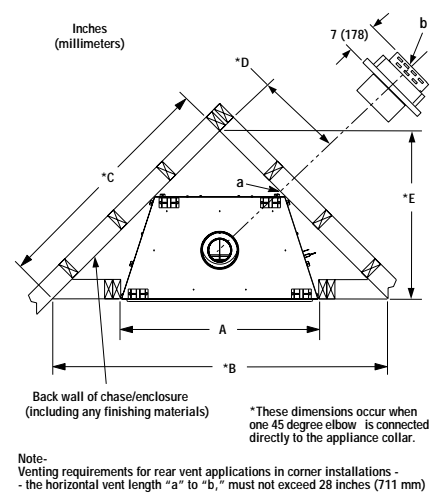
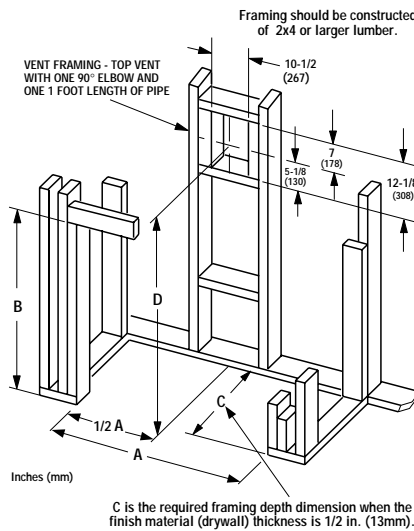


Framing Dimensions for Roof

Pitch	C	D
0/12	10-1/2 in. (267 mm)	10-1/2 in. (267 mm)
6/12	10-1/2 in. (267 mm)	12 in. (305 mm)
12/12	10-1/2 in. (267 mm)	17-3/4 in. (451 mm)

Vent Clearances

	Top	Sides	Bottom
Horizontal	3 in.	1 in.	1 in.
Vertical	1 in.	1 in.	1 in.



Model No.	A	B	C	D
ELDV35	in. 35 9/16	40 5/16	21 7/16	56 1/2
	mm 903	1024	545	1435
ELDV40	in. 40 9/16	40 5/16	21 7/16	56 1/2
	mm 1030	1024	545	1435
ELDV45	in. 45 9/16	40 5/16	21 7/16	56 1/2
	mm 1157	1024	545	1435

Model No.	A	B	C	D	E
ELDV35	in. 35 3/16	63 5/8	45	15 7/16	31 13/16
	mm 892	1143	1143	392	708
ELDV40	in. 40 3/16	68 5/8	48 1/2	17 1/4	34 3/8
	mm 1021	1743	1232	438	873
ELDV45	in. 45 3/16	73 5/8	52	19	36 3/4
	mm 1148	1870	1321	483	933

Note: All framing dimensions calculated for 1/2" drywall at the fireplace face. If sheathing the chase or finishing with other thickness materials, calculations will need to be made.

NOTE: DIAGRAMS & ILLUSTRATIONS NOT TO SCALE.

LENNOX
HEARTH PRODUCTS

775.543M Rev. F 05/09