

PATENTED

9400 CUT SHEET

PARTS LIST

ITEM	QTY	PART NUMBER	DESCRIPTION	NOTES
1	1	1/4 X 1/8SHB	1/4" x 1/8" S.S. HEX BUSHING	
2	6	10805	BOLT FOR VALVE BRACKET	
3	2,500 in	2PVC	2" SCH. 80 PVC PIPE	
4	2	345-N-9400	1/4" S.S. NUT	
5	1	346-N-9400	CONTROLLER BRACKET NUT	
6	1	346-S	10-24 x 3/4" Flat Head Bolt	
7	1	66501	PETCOCK BODY	
8	1	66502	PETCOCK NUT	
9	1	66503	PETCOCK PLUNGER	
10	1	66504	HANDLE PIN	
11	1	66505	PETCOCK NOZZLE	
12	1	66508	O-RING (PETCOCK PACKING NUT)	
13	1	66510	O-RING (PETCOCK STEM)	
14	1	66522	PETCOCK CAP	
15	4	77Q-9400	3/8" S.S. NUT	
16	1	9401	BARREL PROTECTOR (12" PIPE)	
17	1	9402	PLATFROM FOR 9400	C
18	1	9403	COVER FOR 9400	C
19	4	9404	BASE FOR 9400	C
20	1	9405	VALVE PISTON	
21	1	9406	2" SCH. 80 PVC COUPLING	
22	1	9407	2" SCH. 80 PVC ADAPTER	
23	4	9408	BRACKET FOR PLATFORM TO BARREL PROTETOR	
24	8	9409	BOLTS FOR BASE RING	
25	4	9410	MACHINE SCREW FOR COVER RING TO BARREL PROTECTOR	
26	9	9419	S.S. FLAT WASHER	
27	1	9420-O	ACCESS PLATE (REMOVABLE)	
28	3	9421	VALVE PISTON O-RING	C
29	1	9422	WATER RESTRICTOR CROSS	
30	1	9423	WATER RESTRICTOR CAP	
31	1	9424	WATER RESTRICTOR SCREW	
32	1	9425	WATER RESTRICTOR HANDLE	
33	1	9426	PVC WATER RESTRICTOR PLATE	
34	1	9427	WATER RESTRICTOR KNOB	C
35	1	9428-O	ACCESS PLATE (BASE)	
36	1	9429	ACCESS PLATE COVER RING	C
37	1	9430-L	VALVE CYLINDER BRACKET - LONG	
38	1	9430-S	VALVE CYLINDER BRACKET - SHORT	
39	1	9431	CONTROLLER HOLDER COVER	A,C
40	1	9433	SOLENOID COVER	A
41	1	9434	CONTROLLER COVER BUTTON	A,C
42	1	9438	1/4" S.S. BOLT	
43	2	9444	CAPS FOR REMOVABLE ACCESS PLATE	C
44	1	9446	BUSHING FOR AUTO DRAIN	
45	1	9447	2" SCH. 80 PVC TEE	
46	1	9448	AUTO DRAIN	
47	1	9449	SPRING FOR 3" OR LESS D.O.B.	A,C
48	2	9451	HINGE CLAMP	
49	4	9452	HINGE CLAMP SCREW	
50	8	9453	5/16" BOLT FOR ACCESS PLATE	
51	1	9455	CHAIN FOR CONTROLLER	C
52	1	9456	CONTROLLER HOLDER	C
53	2	9457	3/8-16 S.S. LOCK NUT	
54	18	9458	1/4" S.S. LOCK WASHER	
55	4	9460	WASHER FOR VALVE BRACKET	
56	4	9461	LOCK WASHER FOR VALVE BRACKET	
57	1	9462	RUBBER SKIRT FOR 9400	
58	1	9463	ACCESS PLATE & RING GASKET	A
59	2	9464	*Varies*	
60	8	9465	S.S. LOCK WASHER FOR ACCESS PLATE	
61	1	9466	PLATFORM SPLASH PLATE	
62	1	9473	2" SCH. 80 PVC PIPE WITH THREADS	
63	1	9476	VALVE CYLINDER	C
64	1	9515	2" ICV VALVE	C
65	1	9517	VALVE CONTROLLER	
66	2	9518	9 VOLT BATTERY	A
67	1	9809	DEBRIS PLATE	C
68	4	9811	5/16-18 S.S. HELI-COIL	A
69	1	HV458200	SOLENOID	A

OPTIONAL / REPAIR PARTS LIST

70	0	9450	SPRING FOR 3.5'-6" D.O.B	A,C
71	0	9454	SPRING FOR 6.5" D.O.B.	A,C
72	0	9469	DE-CHLORINATION BASKET	C
73	0	9516	2" PGV VALVE	C

ICV PARTS LIST (6 BOLTS)

*		HV365400	9515 VALVE SPRING	A,C
*		HV365500	9515 VALVE BODY	A,C
*		HV365900	9515 DIAPHRAGM SUPPORT	A,C
*		HV366700	9515 BONNET BOLT	A,C
*		HV371600	9515 E-CLIP RETAINER	A,C
*		HV374500	9515 DIAPHRAGM ASSEMBLY	A,C
*		HV380600	9515 BONNET	A,C
*		HV560800	9515 FLOW CONTROL ASSEMBLY	A,C
*		HV561200	9515 FLOW CONTROL KNOW	A,C
*		HV561500	9515/9516 BLEED SCREW ASSEMBLY	A,C

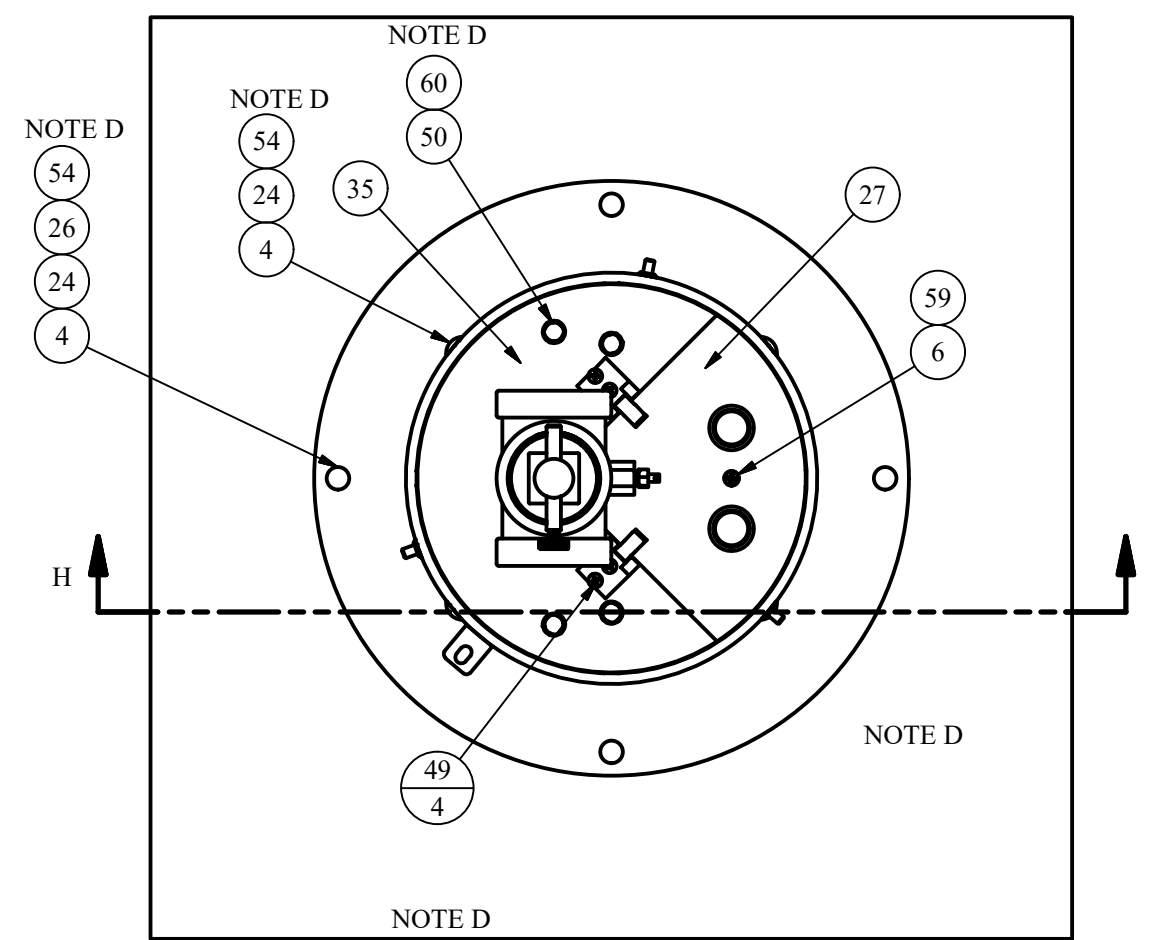
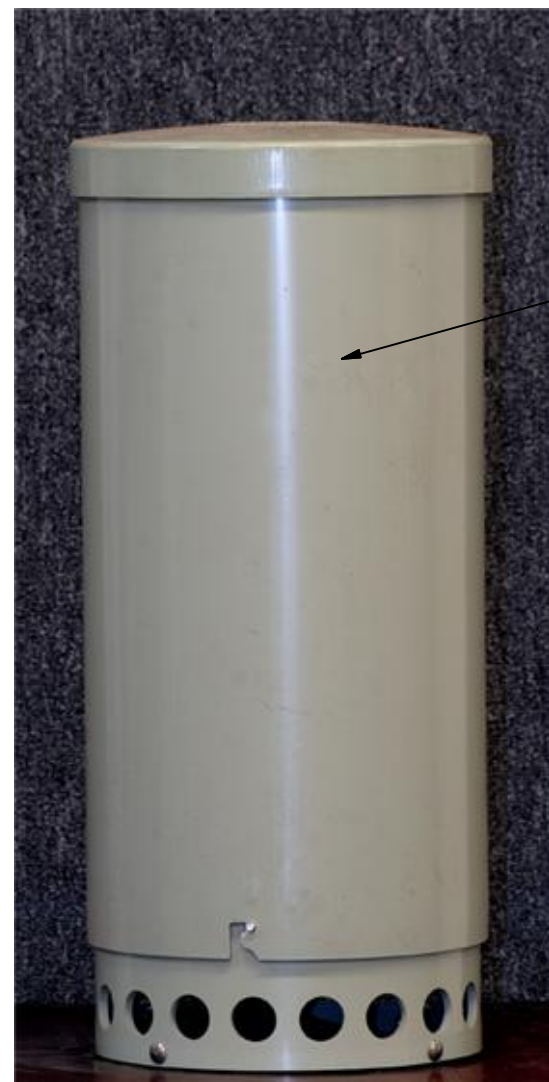
NOTE	DESCRIPTION
A	NOT SHOWN
B	PIPE LENGTH DEPENDENT ON DEPTH OF BURY
C	SOLD AS REPLACEMENT PART
D	BOLT ASSEMBLY USED ON ALL SIMILAR HOLES/BRACKETS

PGV REPAIR PARTS LIST (12 BOLTS)

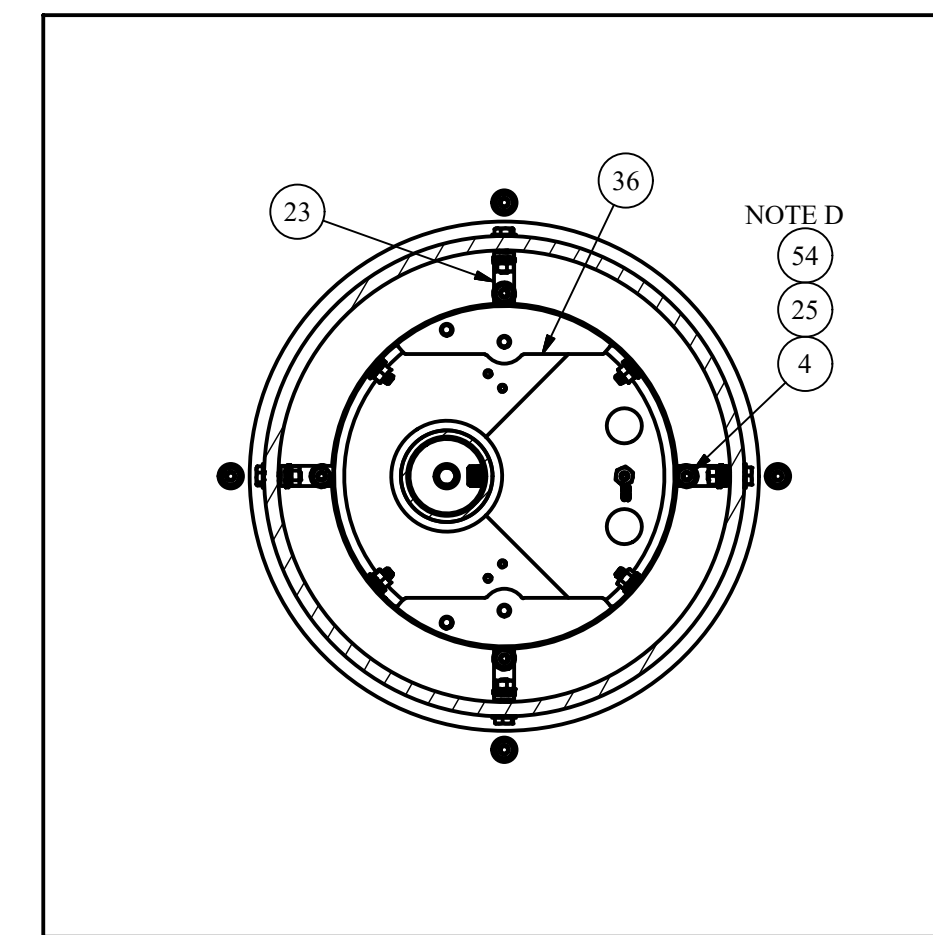
*		HV412700	9516 FLOW CONTROL HANDLE	A,C
*		HV414200	9516 VALVE SPRING	A,C
*		HV414600	9516 FLOW CONTROL ASSEMBLY	A,C
*		HV414800	9516 DIAPHRAGM SUPPORT	A,C
*		HV415400	VALVE PLUG O-RING	A,C
*		HV415500	9516 BONNET	A,C
*		HV415600	9516 DIAPHRAGM ASSEMBLY	A,C
*		HV419300	BODY PLUG	A,C
*		HV433300	9516 VALVE BODY	A,C
*		HV472800	9516 BONNET SCREW	A,C
*		HV561500	9515/9516 BLEED SCREW ASSEMBLY	A,C

OPTIONS AND REPAIR KITS

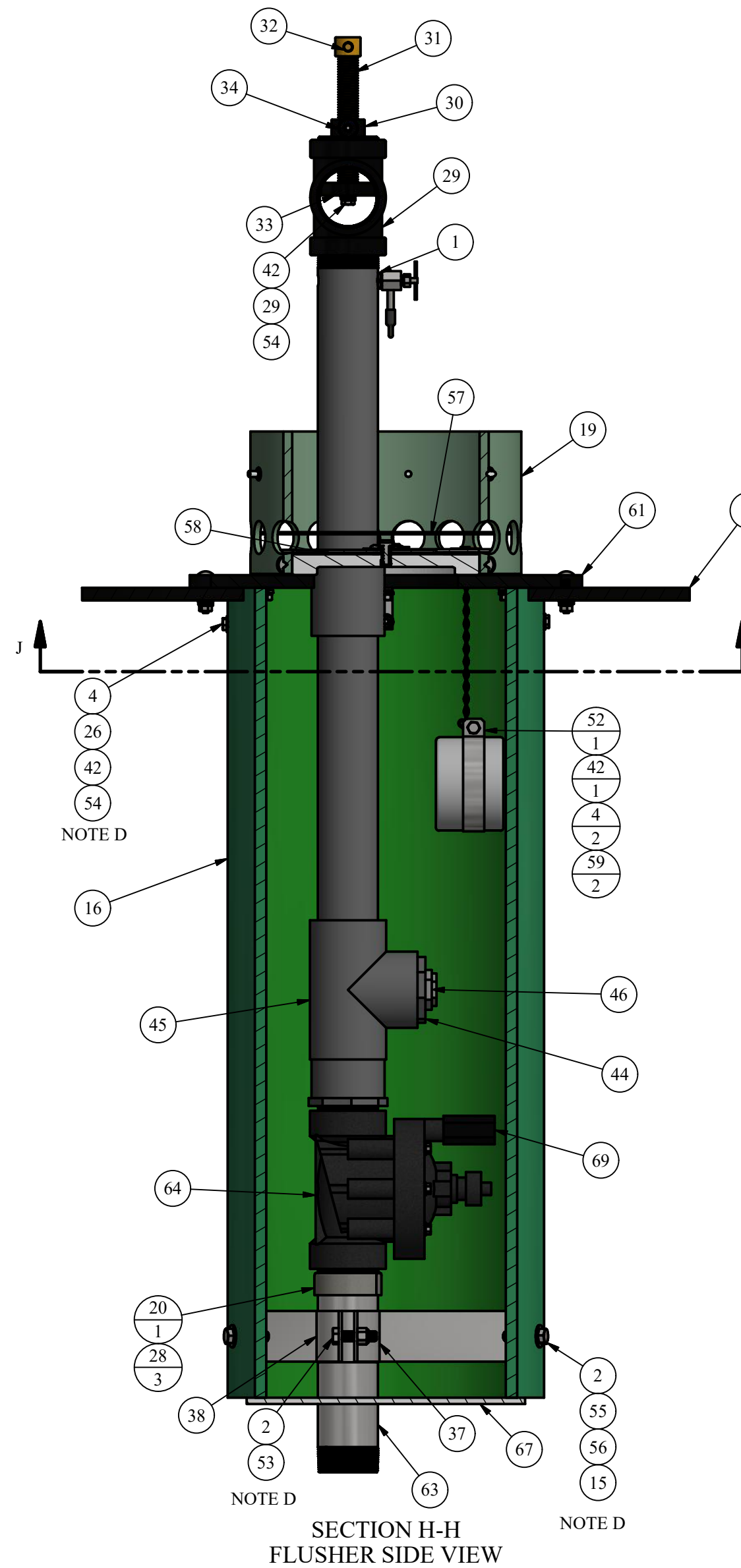
PART NUMBER	DESCRIPTION	PARTS INCLUDED
X380600	9515 BONNET COMPLETE	HV380600 SOLENOID (1), HV561200 KNOB (1), HV561500 BLEED SCREW (1), HV371600 E-CLIP (1), HV560800 FLOW CONTROL (1)
X415500	9516 BONNET COMPLETE	HV145500 BONNET (1), HV412700 KNOB (1), HV561500 BLEED SCREW (1), HV414600 FLOW CONTROL (1), HV458200 SOLENOID (1), 9411 WIRE PINS (2), 9413 RECEPTACLE (1), 9415 RED WIRE (SPECIFY D.O.B.), 9416 BLACK WIRE (SPECIFY D.O.B.), 9417 BUTT SPLICE (2), 9418 HEAT SHRINK (2), 9445 HEAT SHRINK (2.11)
X66-PETCOCK	STAINLESS STEEL PETCOCK ASSEMBLY	66501 BODY (1), 66508 PACKING NUT O-RING (1), 66502 NUT (1), 66503 PLUNGER (1), 66510 PLUNGER O-RING (1), 66504 NOZZLE (1), 66522 CAP (1)
X9400-ACC. PLATE	ACCESS PLATE COMPLETE	9420 ACCESS PLATE REMOVABLE (1), 9444 CAP (2), 9428 ACCESS PLATE BASE (1), 9451 HINGE CLAMP (2), 9452 SCREW (4), 9453 BOLT (2), 9465 LOCK WASHER (2), 946-S-9400 SCREW (1), 9464 S-HOOK (1), 946-N-9400 NUT (1)
X9400-AUTO DRAIN	AUTO DRAIN ASSEMBLY FOR 3" D.O.B. OR LESS	9447 TEE (1), 9446 BUSHING (1), 9448 AUTO DRAIN (1), 9449 SPRING (1), 9407 ADAPTER (1)
X9400-LOWER-#	9400 BELOW GRADE ASSEMBLY (EACH 6" D.O.B. >3')	ADDITIONAL LENGTH ON X9400-LOWER-3'
X9400-LOWER-3'	9400 BELOW GRADE OPERATING PARTS (3' BURY OR LESS)	2PVC 2" SCH. 80 PVC PIPE (1.75), 9406 PVC COUPLING (1), 9447 TEE (1), 9446 BUSHING (1), 9448 AUTO DRAIN (1), 9407 2" SCH. 80 PVC ADAPTER (1), 9515 2" ICV VALVE (1), 9405 VALVE PISTON (1), 9421 VALVE PISTON O-RING (3), 9449 SPRING (1)
X9400-RESTRICTOR	WATER RESTRICTOR ASSEMBLY COMPLETE	9425 HANDLE (1), 9424 SCREW (1), 9427 KNOB (1), 9426 PLATE (1), 9438 BOLT (1), 9423 CAP (1), 9422 RESTRICTOR (1), 9419 WASHER (1), 9458 LOCK WASHER (1)
X9400-SAMPLING	9400 SAMPLING POINT COMPLETE	1/4 x 1/8SHB BUSHING (1), X66-PETCOCK (1)
X9405	VALVE PISTON WITH O-RINGS	9405 PISTON (1), 9421 O-RING (3)
X9420	ACCESS PLATE REMOVABLE WITH CAPS	9420 ACCESS PLATE REMOVABLE (1), 9444 CAP (2)
X9428	ACCESS PLATE BASE COMPLETE	9428 ACCESS PLATE BASE (1), 9451 HINGE CLAMP (2), 9452 SCREW (4)
X9448-49	AUTO DRAIN 3" D.O.B. OR LESS	9448 AUTO DRAIN (1), 9449 SPRING (1)
X9448-50	AUTO DRAIN 3.5'-6" D.O.B.	9448 AUTO DRAIN (1), 9450 SPRING (1)
X9448-54	AUTO DRAIN 6.5'+ D.O.B.	9448 AUTO DRAIN (1), 9454 SPRING (1)
X9517-BG	CONTROLLER WITH BATTERY FOR 9400 OR 9800	9517 CONTROLLER (1), 9518 BATTERY (2), 9434 COVER (1), 9412 WIRE CONNECTOR (2), 9414 WIRE RECEPTACLE (1)
X9400-BLUETOOTH	BLUETOOTH CONTROLLER UPGRADE	9530 BLUETOOTH CONTROLLER (1), 9518 BATTERY (2), 9412 WIRE CONNECTOR (2), 9414 WIRE RECEPTACLE (1), 9400BT-BKT BRACKET (1), 9477 HOSE CLAMP (1), 9458 LOCK WASHER (1), 345-N-9400 NUT (1), 9456 CONTROLLER HOLDER (1), 9438 BOLT (1), 9434 COVER (1)



ACCESS PLATE VIEW

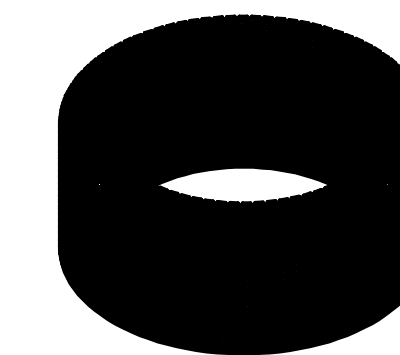


SECTION J-J
PLATFORM BOTTOM SECTION VIEW

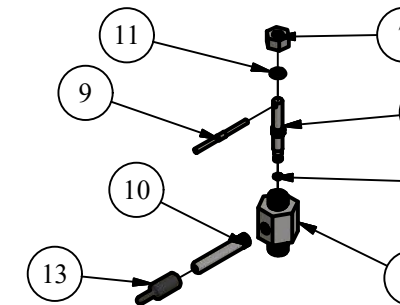


SECTION H-H
FLUSHER SIDE VIEW

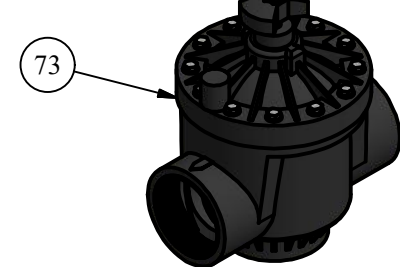
OPTIONAL 9469 DECHLORINATION BASKET



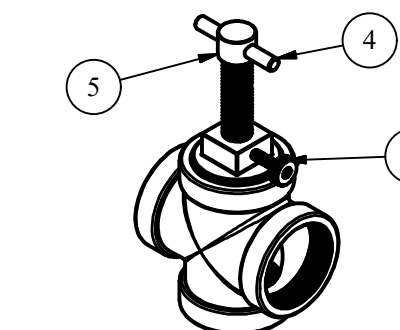
PETCOCK ASSEMBLY



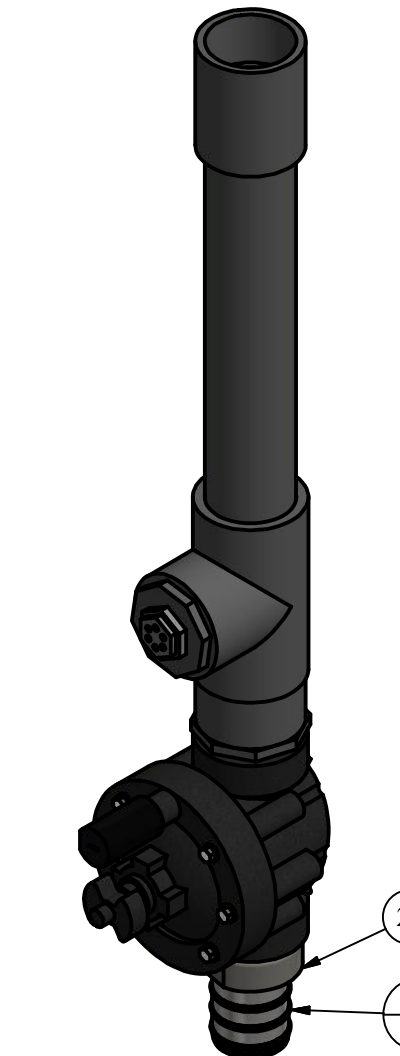
9516 PGV VALVE



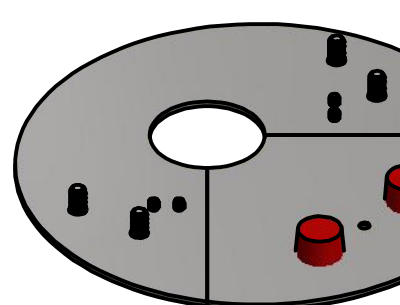
X9400-RESTRICTOR ASSEMBLY



X9400-LOWER-3' ASSEMBLY



X9400-ACC. PLATE ASSEMBLY



DRAWN	SMS	10/20/2017
CHECKED	DCL	9/25/2018
MODIFIED	KJW	7/23/2020
SIZE	SCALE	
D	1/5	
DWG NO	#9400 Cut_Rev1.0	
SHEET	1 OF 1	
REV	3	



LEGEND

(X)	STANDARD TAG
(X/Y)	TAG WITH Y QUANTITY

DISCLAIMER
THIS DRAWING IS THE PROPERTY OF THE KUPFERLE
FOUNDRY COMPANY. IT IS NOT TO BE USED OR
DUPLICATED WITHOUT THE PERMISSION OF THE OWNER