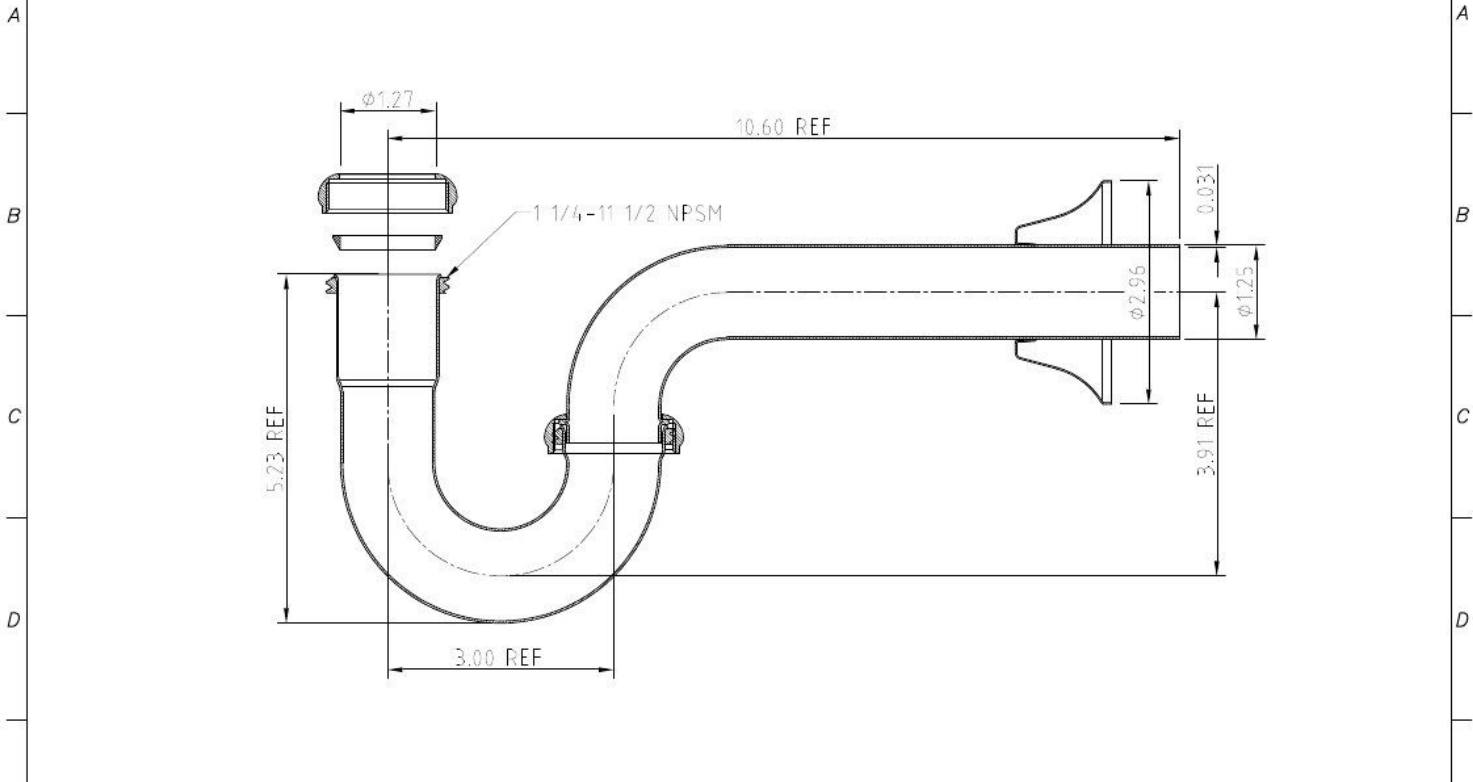
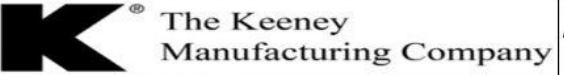


1 | 2 | 3 | 4 | 5 | 6 | 7

REVISIONS			
REV	DESCRIPTION	DATE	APPROVAL
Δ			



	DATE	NAME	MACHINE FINISH	TOLERANCE
DRAWING	10/30/2010	chase	REMOVE ALL BURRS AND BREAK ALL SHARP EDGES, 0.005" MAX.	X.XX ± 0.015 " ANGLES $\pm 1/2$ " X.XXX ± 0.005 " FRAC. $\pm 1/64$ "
DESIGN			FINISH	SEE NOTE
CHECKED			MATERIAL	SEE NOTE
APPROVED			UNIT	INCH
			SCALE	



DRAWING NO	K100BN
DESCRIPTION	1 1/4" X 1 1/4" P-TRAP 20 GA BRUSHED NICKEL

1 | 2 | 3 | 4 | 5 | 6 | 7