

Edgehill

Two-Piece Elongated Toilet



Product Features

- 1.28 gpf
- Gravity-fed siphon jet flush
- Vitreous china
- 16-1/8" Elongated bowl
- Rough-in: 12"
- Flush Valve: 3"
- Trapway: 2" Fully glazed
- Water Spot: 9" x 7"
- Side-mounted chrome trip lever
- Sanitary bar on bowl for easy cleaning
- Quick connect, two-bolt tank-to-bowl installation

Optional Accessories/Available Parts

- PF9412FLPK Fill Valve Assembly
PF9412FVPK Flush Valve Assembly



Codes and Certifications



- IAPMO/cUPC
- EPA WaterSense Certified
- ASME A112.19.2 / CAS B45.1
- MaP Rated 1000g
- ADA Compliant

Available Colors: White (WH)

Tank

PF9412WHC 12" Rough-in Tank

PF9412RWH 12" Rough-in Right-Hand Tank

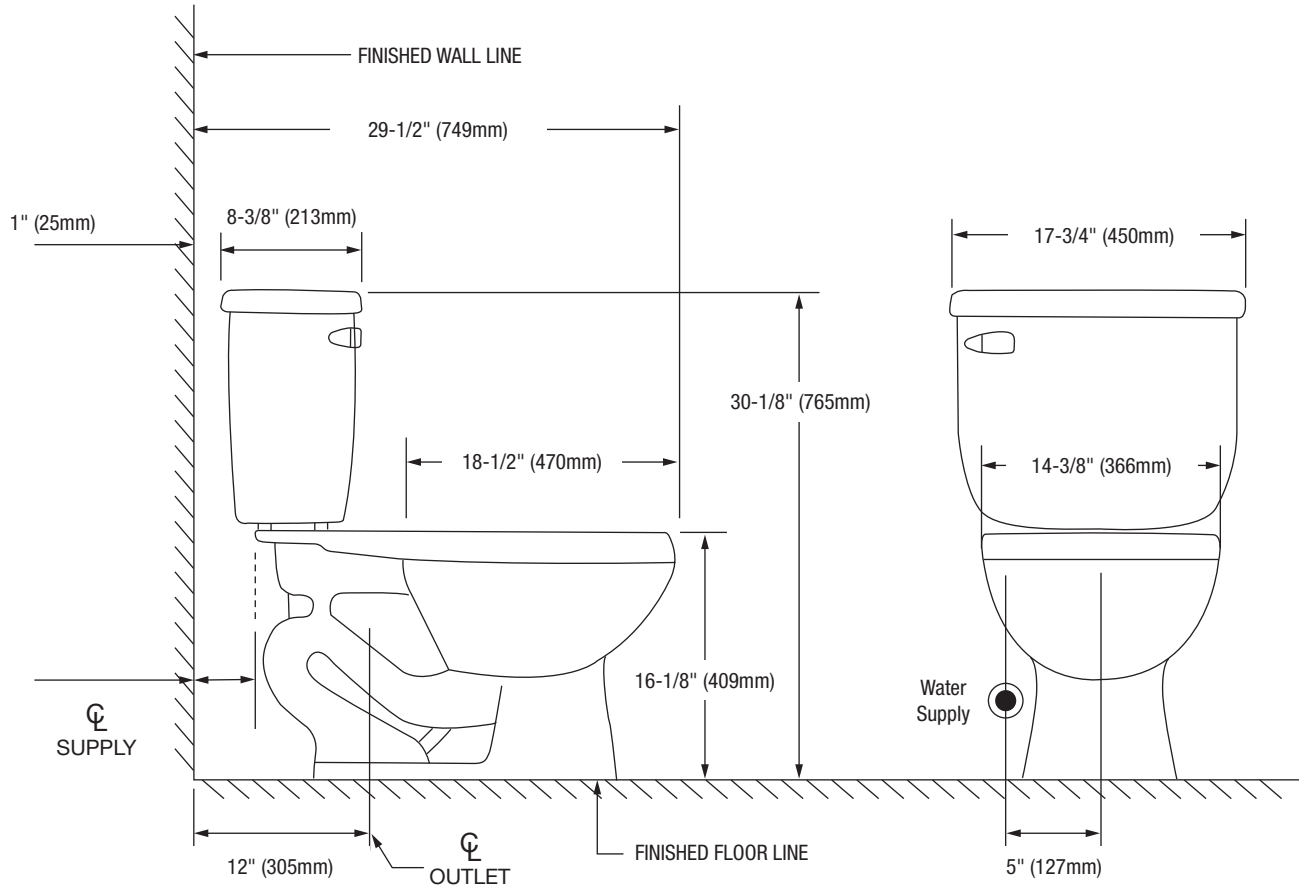
Bowl

PF9401WH Elongated Bowl - 16-1/8"

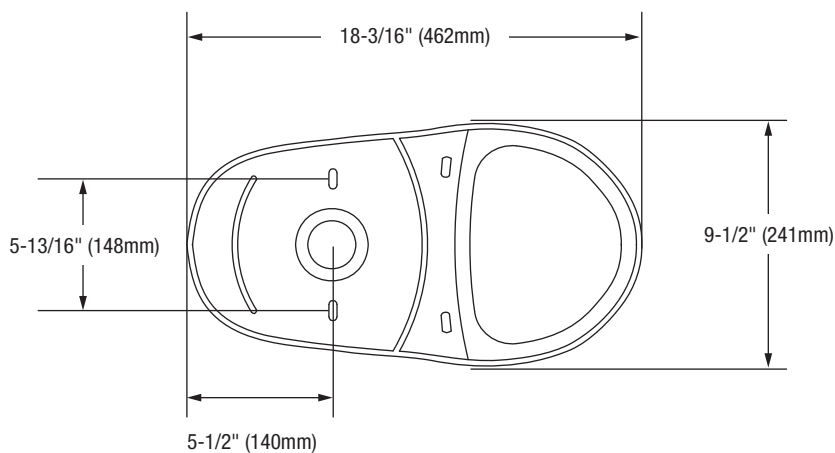
This product comes complete with installation, operating, care and maintenance instructions. All PROFLO fixtures carry a lifetime limited warranty on the vitreous china and a 5-year limited warranty on the fittings. Visit ferguson.com/PROFLO-vitreous-china-warranty for detailed warranty information.

Edgehill

Two-Piece Elongated Toilet



Bowl Footprint Dimensions



Note: All dimensions and specifications are nominal and may vary: Dimensions of 8" and greater have a tolerance of +3%. Dimensions less than 8" have a tolerance of +5%.