

# Installation, Operation and Maintenance Instructions

SPEAKMAN COMPANY SAFE-T-ZONE®  
HEAT TRACED EMERGENCY STATIONS

You have selected the designated item:

- SE-7000
- SE-7001
- SE-7000-220V50C
- SE-7001-220V50C

OTHER: \_\_\_\_\_

SERIAL NO: \_\_\_\_\_

*Please fill in and return the product registration card within 10 days  
of installation to activate your warranty. Your attention to this item  
will ensure receipt of important product updates.*

**SPEAKMAN®**

## SPECIFICATIONS

OUTER SHELL: PVC with Acrylic Cap.

INTERNAL STANCHION: 1" NPT Schedule 40 Galvanized Pipe & Fittings.

PIPE INSULATION: Closed Cell Rubber Foam.

SHOWER VALVE: Shower: 1" NPT Chrome Plated Brass Full Flow Stay-Open Ball Valve.

SHOWER HEAD: 8" Dia. Yellow Plastic.

FLOW CONTROL: Internal 20 GPM Regulator.

SHOWER ACTIVATOR: Shower: Powder Coated High Visibility Yellow, Aluminum Triangle Pull Rod.

SUPPLY INLET:

SE-7000 & SE-7000-220V50C: 1" NPT Male Bottom Supply

SE-7001 & SE-7001-220V50C: 1" NPT Male Top Supply

FLOOR FLANGE: Galvanized Steel with (3) 1/2" Dia. Mounting Holes on 7-7/8" Diameter Bolt Circle.

EYE/FACE WASH:

SPRAY HEADS: (2) Yellow Plastic Spray Head Outlets with Flow Control.

VALVE: 1/2" NPT 3-Way Brass Full Flow Stay-Open Ball Valve.

FREEZE PROTECTION VALVE: 3/4" NPT Brass, Self-Opening & Closing (40°) Valve.

ELECTRICAL SPECIFICATIONS:

AREA CLASSIFICATION: Class 1 Division 2, Groups B, C, And D Nema 4x.

ELECTRICAL SUPPLY:

(SE-7000 & SE-7001): 120 VAC, 60 Cycle, Single Phase.

(SE-7000-220V50C & SE-7001-220V50C): 220 VAC, 50 Cycle, Single Phase.

*See additional electrical details on page #4.*

JUNCTION BOX INLET: 3/4" NPT Female (4) Outlet Box.

HEATING CABLE: 5 Watt/Ft. Self-Regulating Heating Cable with Metal Sheathing.

THERMOSTAT: Preset, Hermetically Sealed Single-Pole Contact Switch with 60°-70° Temperature Range.

**NOTE: REFERENCE BELOW FOR MINIMUM 30MA GROUND FAULT PROTECTION AND MINIMUM 15 AMP BREAKER.**

SHIPPING WEIGHT: 87 LBS.

EMERGENCY SIGN: 12" X 7-7/8" PLASTIC WALL SIGN.

## INSTALLATION INSTRUCTIONS

### SECURING UNITS

SE-7000 / SE-7001 is equipped with a cast floor flange. Suitable anchors must be used to ensure that the unit is rigid and properly secured before being used.

**NOTE: If desired or required, additional straps or braces can be used to secure any unit. (BE SURE NOT TO DRILL OR SCREW ANYTHING INTO THE OUTER PLASTIC SHELL.)**

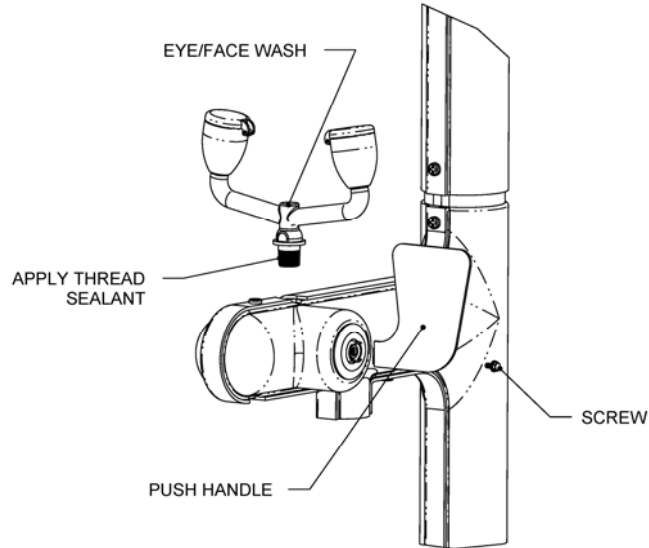
### PLUMBING CONNECTION

1. The installer has the responsibility to see that the unit is connected to a potable water supply, with a temperature that would allow the user to shower for a minimum of 15 minutes without discomfort or shock due to cold water temperature. (ANSI Z358.1 recommends that water temperature be between 60°-90° F.)
2. Inlet connection is 1" pipe. Supply line should have a suitable pressure to deliver a minimum of 30 PSI Flowing Pressure, and maximum 80 PSI static Pressure.

**SPEAKMAN®**

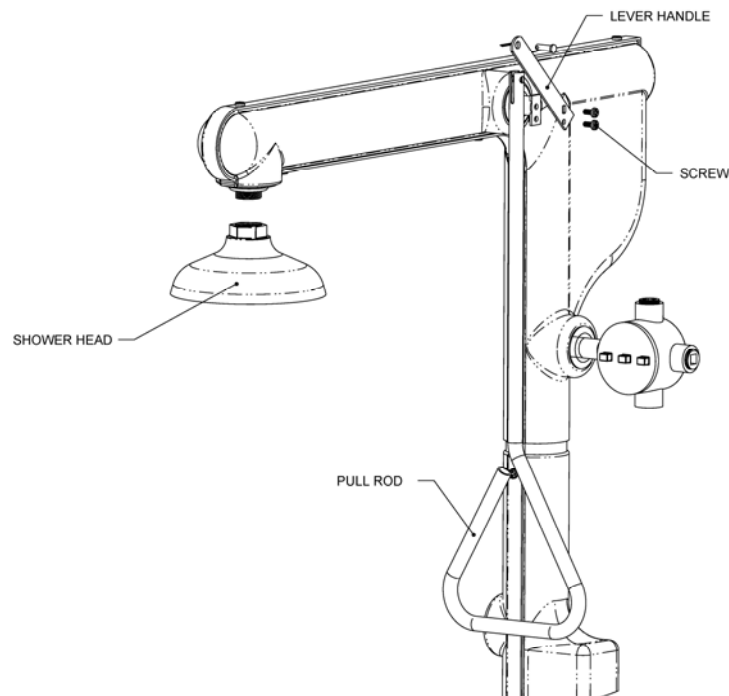
400 Anchor Mill Rd. New Castle, DE 19720 Phone: 800-537-2107 Fax: 800-977-2747  
01/05/18 speakman.com 92-2733-09

3. Attach eye/face wash to lower arm by threading assembly into encased tee. Be sure to use a thread sealant to guard against leaks. Fasten push handle to spindle extension on lower arm. Screw is located in extension.



**NOTE:** To prevent water spillage and potential slipping hazards at shower location. It is recommended to connect proper drainage piping to the 3/8" NPT outlet on the freeze protection valve located on the eyewash arm. If a flexible type hose is used, be careful to avoid kinking in the hose, which in turn may cause a frozen blockage.

4. Apply a thread sealant and attach shower head to 1" nipple on upper shower arm. Fasten lever handle with screw located in extension. Secure pull rod to lever handle.



## PLUMBING NOTES

1. The primary function of this unit is to keep water from freezing.
2. When possible, install unit in an area protected from direct blast of prevailing winter winds, to minimize wind chill factor.
3. **BE SURE WATER SUPPLY PIPING IS PROTECTED FROM FREEZING.**

**SPEAKMAN®**

## ELECTRICAL CONNECTION

1. Power supply requirement is
  - 120 VAC, 60 Cycle, Single Phase for SE-7000 & SE-7001
  - 220 VAC, 50 Cycle, Single Phase for SE-7000-220V50C & SE-7001-220V50C
2. Ground-fault protection should be GFPD with a nominal 30 milliampere trip level to prevent nuisance tripping.
3. Minimum 15 AMP breaker is required. (Breaker for shower only).
4. Use #14 AWG wire for power supply and make your hard wire connection inside the junction box. Three (3) indicator wires \* are supplied. You can throw these away once you have made your connection.

**\*Indicator wires: 120 VAC, 60 cycles**

Black wire: Hot  
White wire: Common  
Green wire: Ground

**\*Indicator Wires: 220VAC, 50 Cycle**

Black Wire: Hot  
Black Wire: Common  
Green Wire: Ground

## ELECTRICAL NOTES

1. Make sure power supply is in compliance with **National Electric Code** (N.E.C.).
2. Be sure electrical supply is **NEVER TURNED OFF DURING COLD WEATHER!**
3. If you have a unit without a stanchion light, you are required to light the area where your unit is installed.

## OPERATION / TESTING

1. Once electrical connections are complete and unit is assembled and plumbed, test unit to verify water flow by activating the eye/face wash.
  2. Activate the shower by pulling the pull rod. Flow should be a full, dense curtain of water. If this type flow is not being attained, check incoming pressure. (30 PSI min. flow pressure)
- **UNITS WITH PILOT LIGHT OPTION**  
Push pilot light lens to verify electric power is on. In cold weather, the red pilot light will glow, indicating the shower's thermostat is closed and the heat tape is operating.  
*NOTE: It is normal for the pilot light to glow in above-freezing weather, since the thermostat is sensing the temperature of the water in the pipe and not the outside air. The thermostat will open and the pilot light will go off when water temperature rises above 70° F.*
  - **UNITS WITH AREA LIGHT OPTION**  
Select units have overhead lights. The overhead light will remain on once power is applied. This light serves two functions: (A) Indicates that there is power to the unit, (B) Helps to locate the safety shower.

## MAINTENANCE

1. To ensure proper operation, this unit should be tested weekly per ANSI Z358.1. "Bump" testing both the eye/face wash and shower valve is necessary to be sure water is flowing. Be sure electrical power has not been disrupted. On units with pilot light feature, push pilot light lens to assure that electrical current is being supplied to unit.
2. Be sure power supply is locked out before doing any electrical maintenance to this unit. (especially in hazardous locations)
3. Available replacement parts can be found on attached sheet. If you cannot find what you need, or if you have any problem with instruction, contact your local Speakman representative, or Speakman Company Customer Service at 1-800-537-2107, FAX: 1-800-977-2747.

**SPEAKMAN®**

## FLOW DATA

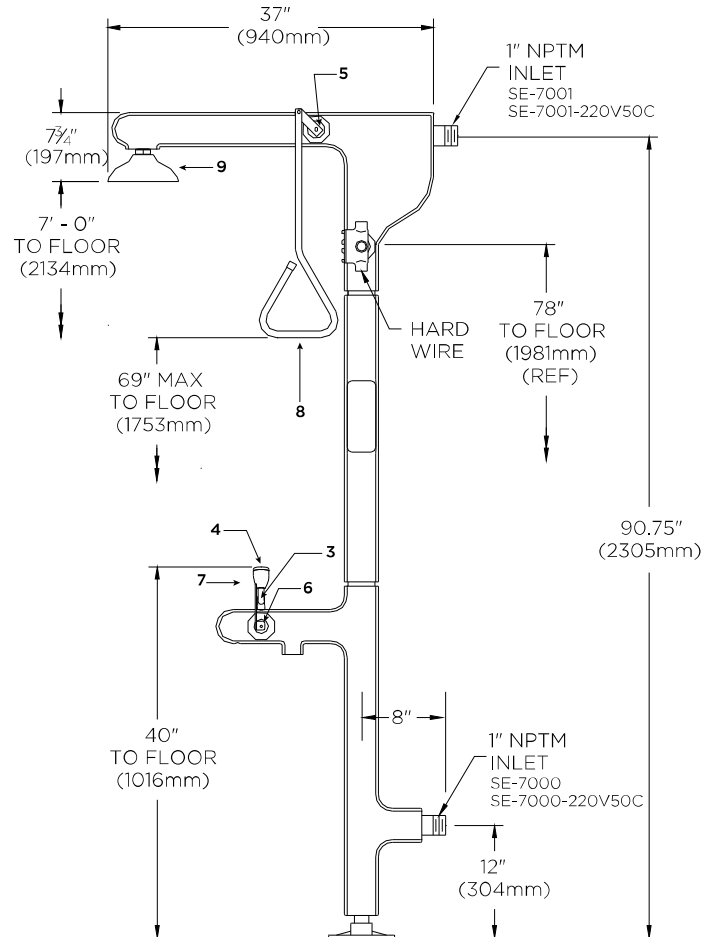
SHOWER:

FLOW PRESSURE PSI (BAR)	30 (2.1)	40 (2.7)
FLOW RATE GPM (LPM)	21 (79)	22 (83)

EYE/FACE WASH:

FLOW PRESSURE PSI (BAR)	30 (2.07)
FLOW RATE GPM (LPM)	3.82 (14)

## SE-7000 / SE-7001 SERIES ROUGH-IN



### Standard Repair Parts for all units:

ITEM	PART/GROUP #	DESCRIPTION
1 NOT SHOWN	FPV-7000	Freeze Protection Assembly
2 NOT SHOWN	RPG03-0263	Spindle Extension Assemblies
3	RPG05-0748	Bullhorn Assembly with Spray Heads
4	RPG07-0104	Flip Off Dust Covers
5	RPG20-1922	1" Shower Ball Valve Assembly
6	RPG20-2000	1/2" Eye/Face Wash Ball Valve Assembly
7	RPG38-0395	Spray Head Assembly
8	RPG47-0046	Aluminum Pull Rod Assembly
9	SE-810	8" Plastic Emergency Shower Head

Components that are not listed, are factory installed and not recommended for field replacement. If you have a need for such components, please contact your Speakman Company representative, or Speakman Company Customer Service at 1-800-537-2107, FAX: 1-800-977-2747.

**SPEAKMAN®**