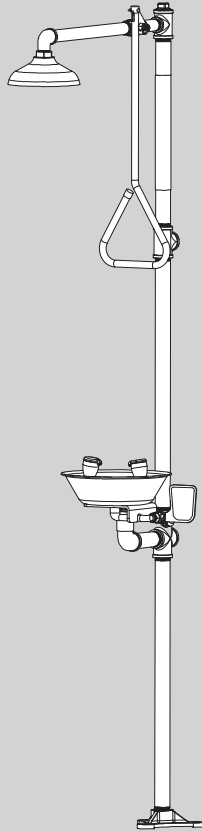


## INSTRUCTIONS FOR MODELS

Used for  
Safety Shower  
combination  
stations:


SE-603  
SE-616  
SE-690  
SE-693  
SE-695  
SE-697




### NEED HELP?

For additional assistance or service please contact:

**SPEAKMAN**® Company  
400 Anchor Mill Road  
New Castle, DE 19720

 800-537-2107

 customerservice@speakman.com

 www.speakman.com

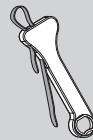
92-SE-6XX-01

## TOOLS AND SUPPLIES

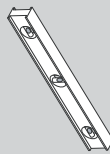
Pipe  
Wrench



Strap  
Wrench



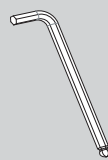
Level



Adjustable  
Wrench



Hex Key  
Wrench



Not  
Included



### IMPORTANT



ANSI Z358.1 specifies that the height of the spray heads is to be between 33" - 53" from the floor. Use Thread Locker or Sealant on all threaded connections. Be sure the Unit is level and plum.

### MAINTENANCE



The valve and the eye/face wash are the only portion of the unit that may require maintenance. Should you need parts to repair this unit, please contact Speakman. Reference additional technical sheets (supplied) for information on the eye/face wash, bowl assembly, shower head, and shower activation valve. Before any maintenance is done be sure to shut the water supply off.

**WARNING:** Use only genuine Speakman parts when repairing or replacing components. To order parts call 1-800-537-2107.

## OPERATION

### SHOWER OPERATION

The shower is activated by pulling the triangle pull handle. Once the valve is activated the head will continue to discharge water until the ring is released.

### EYE/FACE WASH OPERATION

The eye/face wash is activated by pushing the push handle back 90°. The unit will operate until the push handle is manually pulled back up to the off position.

### TESTING PROGRAM

ANSI/ISEA Z358.1 states that all safety emergency equipment shall be activated on a weekly basis to flush the line and verify proper operation. Speakman Company furnishes a testing record tag (91-0635) with each unit. On this tag the date of inspection and the inspector's initials should be noted.

### SAFETY TIPS



Cover your drain to prevent loss of parts. Be sure to wear eye protection while cutting pipe.

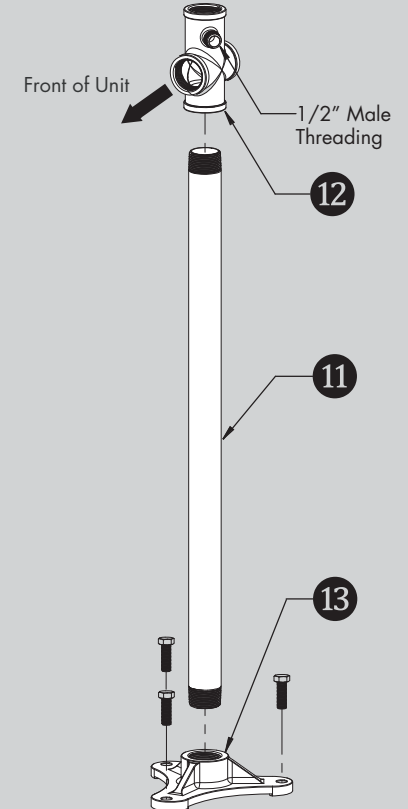
### WARRANTY



Additional warranty information can be found at: [www.speakman.com](http://www.speakman.com)

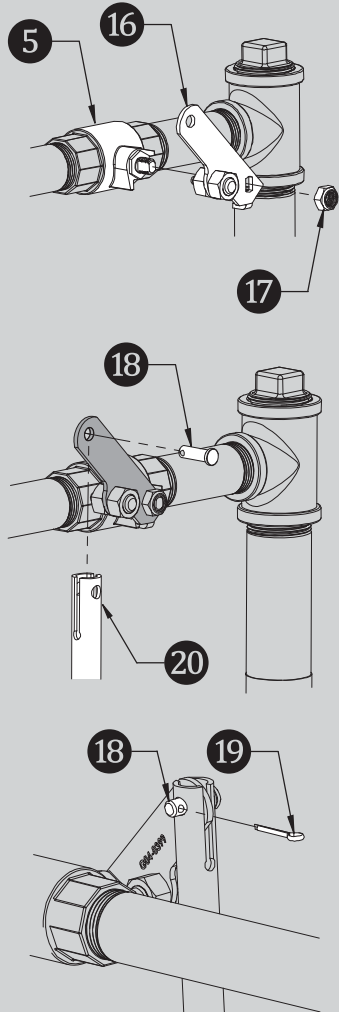
1

- At desired location, mount Floor Flange (13) on a flat, level surface using suitable anchors, making sure that one of the three ears on the Floor Flange is positioned at what will be the front of the Stanchion.
- The Unit should be placed so that there is sufficient unobstructed area around the Stanchion.
- Assemble 1-1/4" x 29-3/8" Pipe (11) to Floor Flange (13).
- Thread 1-1/4" x 1/2" Drain/Supply Cross (12) onto Pipe (11). Side Outlets should face the front and back of the Unit, and the 1/2" male threaded outlet upward at 45° to the right side of the Unit.



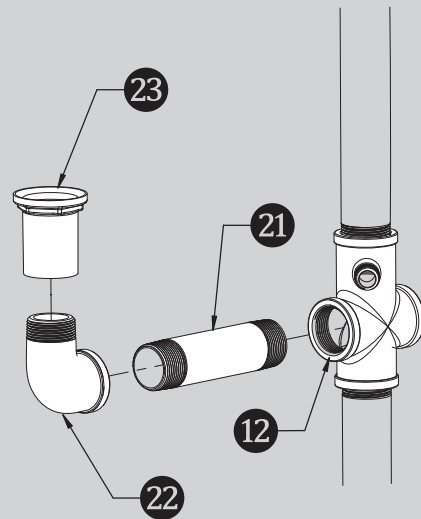
6

- Assemble the Lever Handle Assembly (16) to Ball Valve (5) using Nylo-Hex Nut (17), being sure to orient the Handle as shown below.
- Insert the slot in the Pull Rod (20) over the Lever Handle Assembly (16) and insert Pin (18).
- Secure Pin (18) with Cotter Pin (19).



7

- Assemble 1-1/4" x 6" Pipe (21) to Drain/Supply Cross (12).
- Install Street Elbow (22), making sure the male threading is plum.
- Assemble the 1-1/4" Bowl Mounting Spud (23) to Street Elbow (22), making sure the top surface is level.



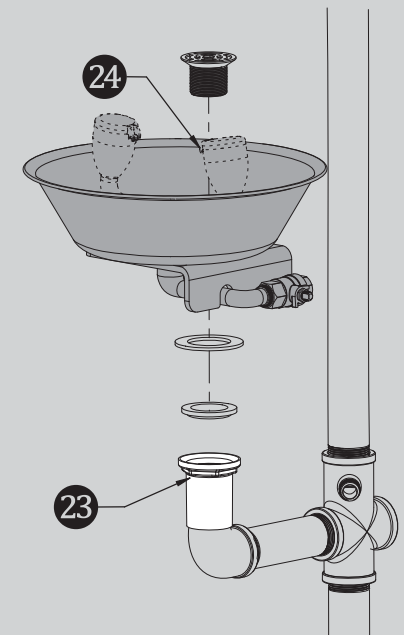
## BOWL GROUP AND EYE/FACE WASH REFERENCE

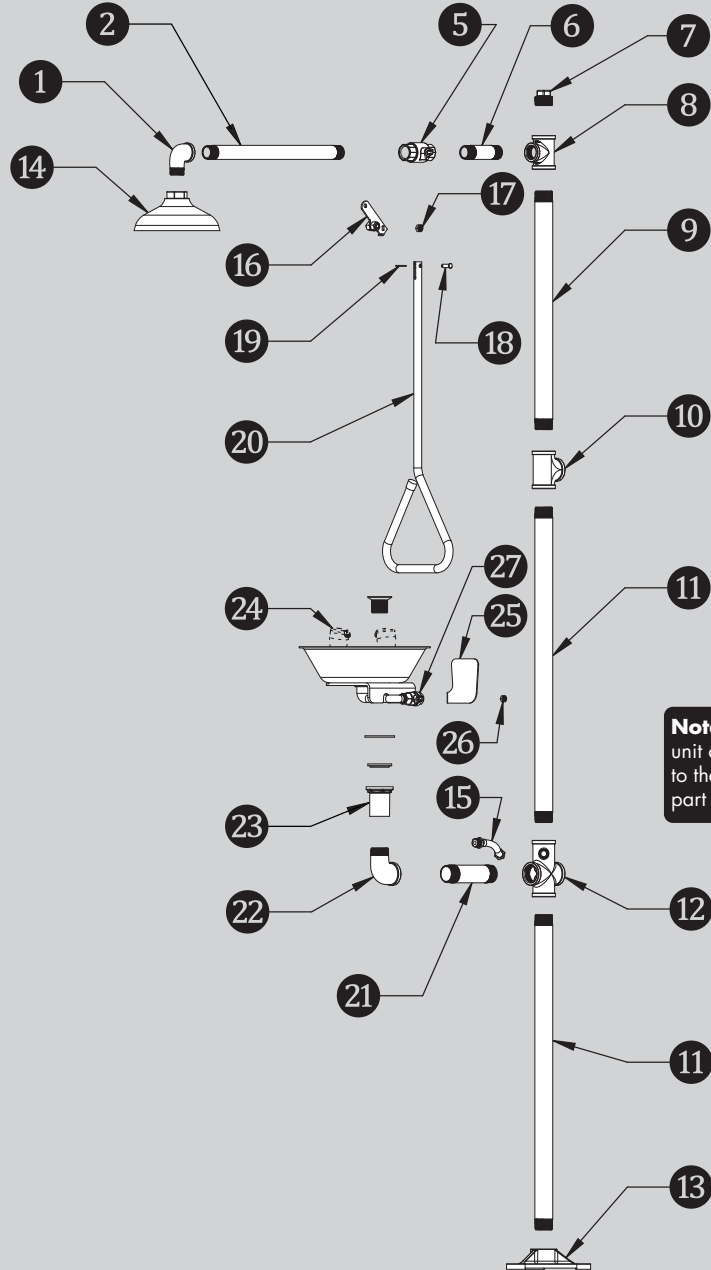
- **SE-603 Series**  
Includes SE-400 Eye/Face Wash Unit with Aerated Sprays and Stainless Steel Bowl
- **SE-616 Series**  
Includes SE-505 Eyewash Unit with Aerated Sprays and Stainless Steel Bowl
- **SE-690 Series**  
Includes SE-490 Eye/Face Wash Unit with Soft Flow Sprays and Stainless Steel Bowl
- **SE-693 Series**  
Includes SE-582 Eyewash Unit with Aerated Sprays and Stainless Steel Bowl
- **SE-695 Series**  
Includes SE-495 Eye/Face Wash Unit with Soft Flow Sprays and Plastic Bowl
- **SE-697 Series**  
Includes SE-580 Eyewash Unit with Aerated Sprays and Plastic Bowl

8

- Assemble Eyewash Assembly (24) by aligning the Strainer Drain thread on the Eyewash with the Bowl Mounting Spud (23) on Stanchion.
- Secure Eyewash by tightening Strainer Drain with a 7/16" Allen Wrench, making sure the Eyewash Assembly (24) is level once fully tightened.

**Note:** Your Bowl and Eyewash appearance may vary depending on model. Image shown is for reference only. Install Bowl group as described. Reference additional technical sheets (supplied) for information on the bowl assembly. Before any maintenance is done be sure to shut the water supply off.





**Note:** Bowl and Eyewash <sup>24</sup> unit combinations. Please refer to the respective IOM for repair part information.

ITEM NO.	DESCRIPTION
1	1" X 90° GALV. STREET ELBOW
2	1" X 17-5/8" GALV. PIPE, TBE
5	1" CHROME PLATED BRASS BALL VALVE
6	1" X 4-1/2" GALV. PIPE, TBE
7	1-1/4" GALV. PLUG
8	1-1/4" X 1-1/4" X 1" GALV. TEE
9	1-1/4" X 22-1/4" LG. PIPE, TBE
10	1-1/4" GALV. TEE
11	1-1/4" X 29-3/8" LG. GALV. PIPE, TBE
12	1-1/4" X 1/2" GALV. DRAIN/SUPPLY CROSS
13	1-1/4" GALV. FLOOR FLANGE
14	8" DELUGE SHOWERHEAD
15	STAINLESS STEEL FLEXIBLE SUPPLY HOSE
16	LEVER HANDLE ASSEMBLY WITH SPRING PLUNGER
17	7/16-20 UNF STAINLESS STEEL NYLO-HEX NUT
18	CLEVIS PIN
19	COTTER PIN
20	29" ALUMINUM PULL ROD
21	1-1/4" X 6" LG. GALV. PIPE, TBE
22	1-1/4" GALV. STREET ELBOW
23	1-1/4" GALV. BOWL MOUNTING SPUD
24	BOWL AND EYEWASH UNIT COMBINATIONS
24	SE-603 STAINLESS STEEL BOWL / SE-400 (AERATED) EYE/FACE WASH
24	SE-616 STAINLESS STEEL BOWL / SE-505 (AERATED) EYEWASH
24	SE-690 STAINLESS STEEL BOWL / SE-490 (SOFT FLOW) EYE/FACE WASH
24	SE-693 STAINLESS STEEL BOWL / SE-582 (AERATED) EYEWASH
24	SE-695 PLASTIC BOWL / SE-495 (SOFT FLOW) EYE/FACE WASH
24	SE-697 PLASTIC BOWL / SE-580 (AERATED) EYEWASH
25	PADDLE HANDLE
26	3/8" STAINLESS STEEL NYLO-HEX NUT
27	1/2" CHROME PLATED BRASS BALL VALVE

**REPAIR PARTS**

ITEM NO.	PART NO.	DESCRIPTION
5	SE-911	1" BALL VALVE
5	SE-911-SS	1" STAINLESS STEEL BALL VALVE
14	SE-810	8" PLASTIC SHOWERHEAD
4	RPG63-0095	STAINLESS STEEL SUPPLY HOSE
20	RPG47-0046	PULL ROD

SE-690/693/695/697  
SHOWER FLOW DATA

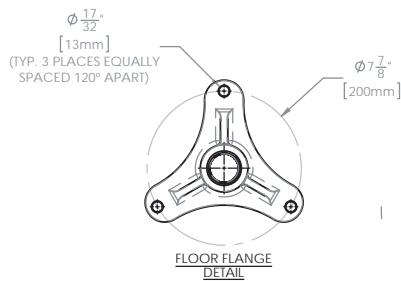
PRESSURE		FLOW RATE	
psi	bar	gpm	L/min
30	2.07	20	75
60	4.14	25	94

SE-690/695 EYE/FACE  
WASH FLOW DATA

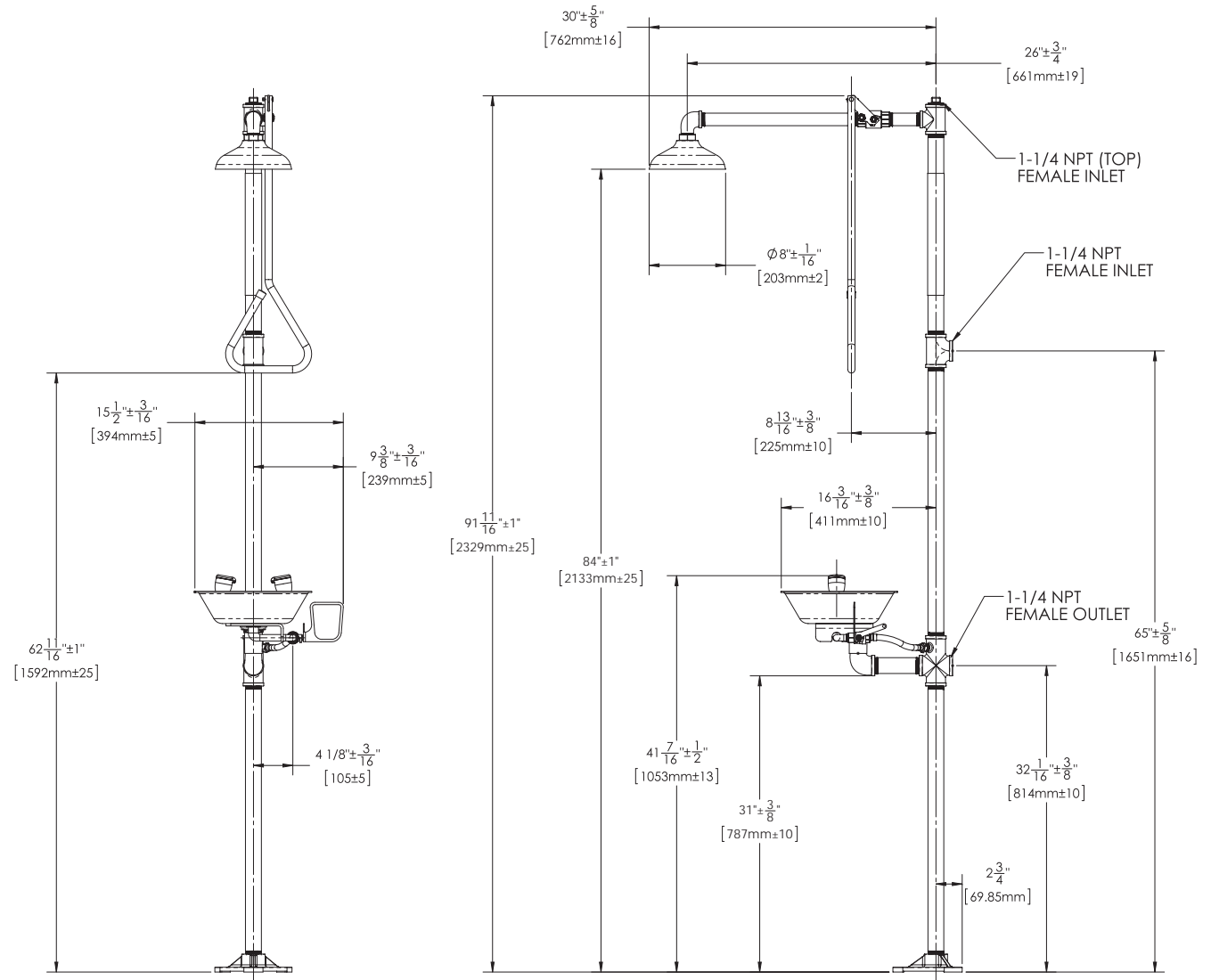
PRESSURE		FLOW RATE	
psi	bar	gpm	L/min
30	2.07	4.5	17.0

SE-693/697 EYEWASH FLOW DATA

PRESSURE		FLOW RATE	
psi	bar	gpm	L/min
30	2.07	3.2	14.5



DIMENSIONS SUBJECT TO CHANGE WITHOUT NOTICE.



**NOTE:** ALL UNITS MEET EXISTING Z358.1 STANDARDS. PRODUCT IMPROVEMENTS MAY CAUSE SPECIFICATION AND DIMENSIONAL CHANGES WITHOUT NOTICE.