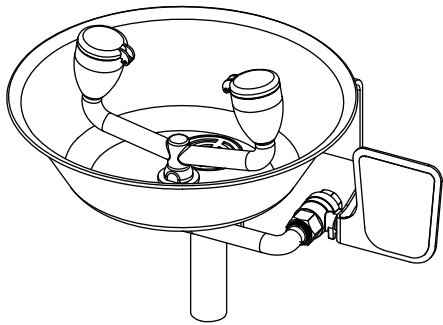


INSTRUCTIONS FOR MODELS

SE-490
SE-495
SE-580
SE-582



NEED HELP?

For additional assistance or service please contact:

SPEAKMAN® Company
400 Anchor Mill Road
New Castle, DE 19720

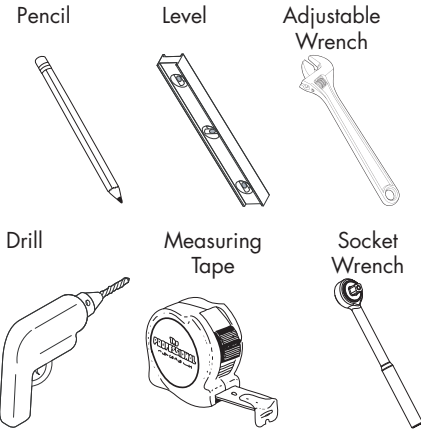
800-537-2107

customerservice@speakmancompany.com

www.speakmancompany.com

92-SE-490-582-R4

TOOLS AND SUPPLIES



IMPORTANT

ANSI Z358.1 states that weekly activation should be conducted on all plumbed emergency equipment to ensure that there is a suitable flushing fluid supply present and to clear the supply line of any sediment build-up that could prevent fluid from properly being delivered to the eye/eyeface wash device, as well as to minimize microbial contamination due to stagnant water. Also per the standard, the unit should be checked annually to ensure the unit still complies with the installation section (7.4) of the ANSI Z358.1 standard. ANSI Z358.1 specifies that the height of the spray heads is to be between 33" - 45" from the floor. The SE-490/495/580/582 unit shall be mounted ensuring the mounting surface (wall, etc.) and mounting hardware are sufficient to carry the load. Be sure to read instructions thoroughly before beginning installation. Do not overtighten any connections or damage may occur. **SPEAKMAN** furnishes a testing record tag (91-0635) with each unit. On this tag, the date of inspection and the inspector's initials should be noted.

SAFETY TIPS

Be sure to wear proper eye protection.

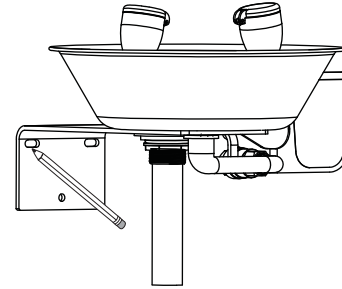
MAINTENANCE

Please reference the parts listing for the correct repair part numbers. Only use genuine **SPEAKMAN** parts when repairing or replacing components. To order parts, call 1-800-537-2107. Be sure to turn off water supplies before beginning any maintenance.

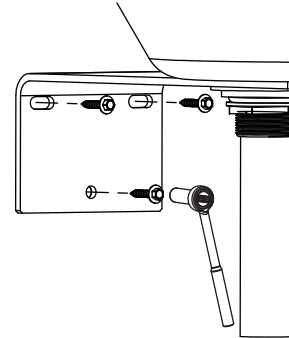
WARRANTY

3 year limited warranty.
Additional warranty information can be found at:
www.speakmancompany.com

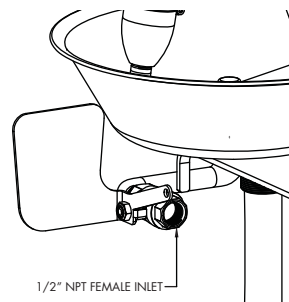
- 1 After selecting a suitable mounting location, measure to ensure the spray head height is between 33" - 45" from the floor. Mark and drill holes according to hardware selection specifications.



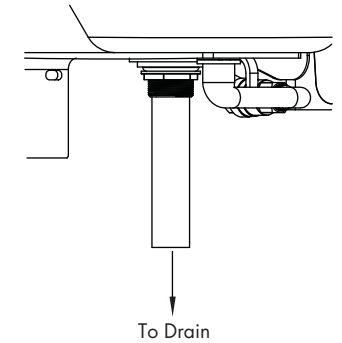
- 2 Using appropriate hardware (not included), affix bowl to mounting surface. Using a Level, confirm the bowl is both level and plum.



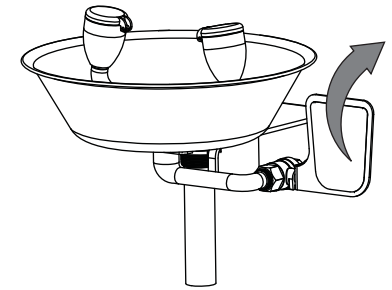
- 3 Connect a uninterrupted potable water supply with a minimum flowing pressure of 30psi and a maximum static pressure of 80psi to the 1/2" NPT female water supply inlet.



- 4 Connect the drain trailpiece to an adequate drain in accordance with local plumbing codes.



- 5 To test, and for subsequent operation, push the Paddle Handle forward 90°. The unit will operate until the Paddle Handle is manually pulled back to the OFF position.



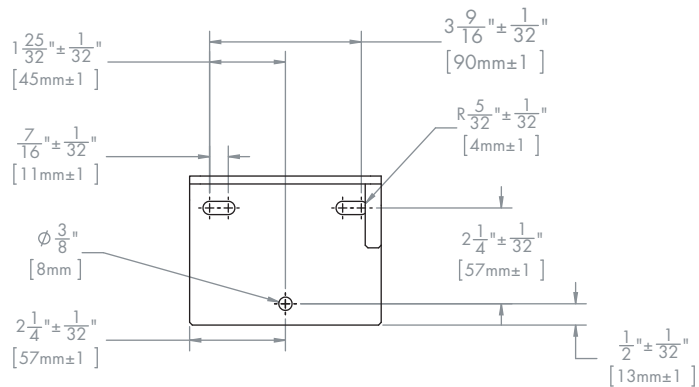
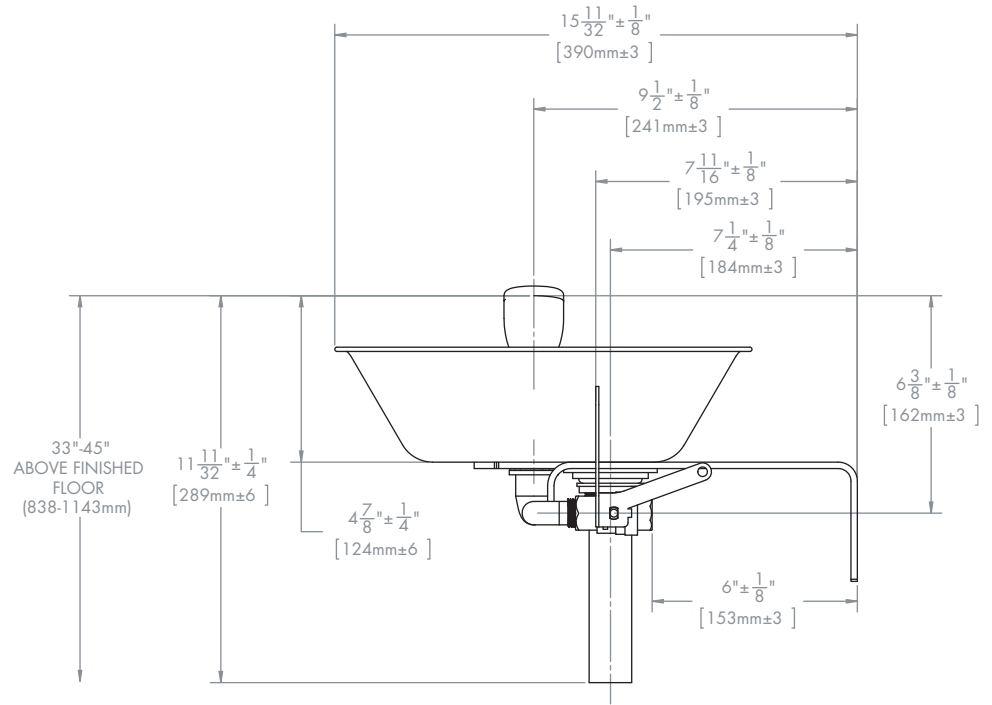
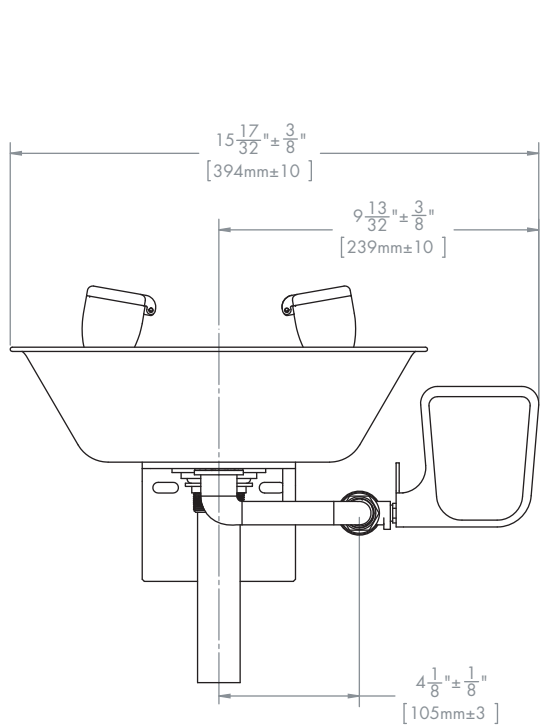
SE-490/495 FLOW DATA

PRESSURE		FLOW RATE	
psi	bar	gpm	L/min
30	2.07	4.5	17.0
60	4.14	4.6	17.4

SE-580/582 FLOW DATA

PRESSURE		FLOW RATE	
psi	bar	gpm	L/min
30	2.07	3.2	12.1
60	4.14	3.4	12.9

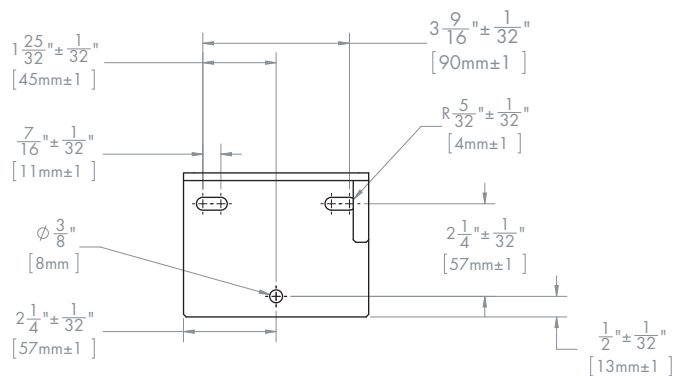
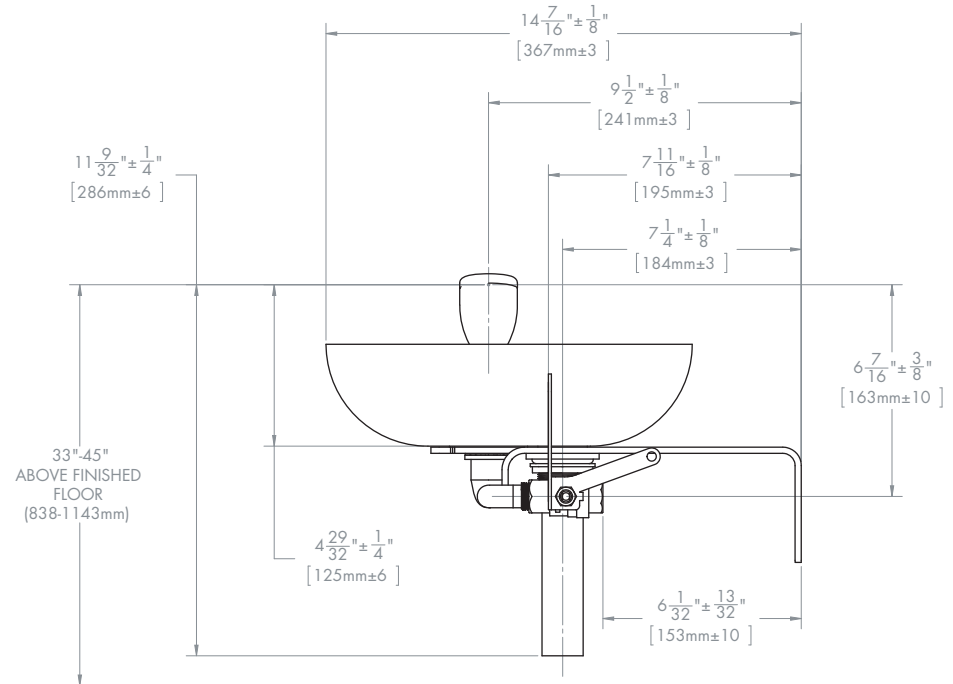
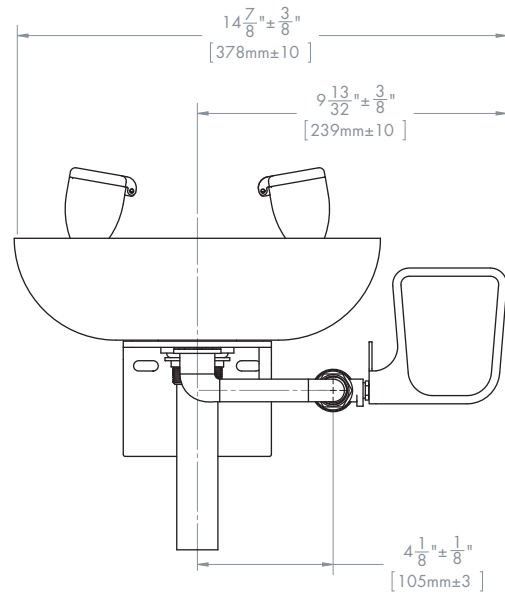
SE-490 / SE-582



REPAIR PARTS

Part No.	Description
SE-910	Brass 1/2" Ball Valve Assembly
SE-910-SSBV	Stainless Steel 1/2" Ball Valve Assembly
RPG05-1177	Aerator Replacement Group (6 each)
RPG21-0082-PC-P	In-Line Strainer Repair Assembly
RPG05-0715	SE-490 / SE-495 Non-Aerated Eye/Face Wash Bullhorn Assembly
RPG38-0390	SE-490 / SE-495 Non-Aerated Sprayhead Assembly
RPG05-0714	SE-580 / SE-582 Aerated Eye/Face Wash Bullhorn Assembly
RPG38-0379	SE-580 / SE-582 Aerated Sprayhead Assembly
RPG05-0943	Bullhorn Washer Group
RPG07-0104	Flip Top Dust Cap Replacement (20 per bag)

SE-495 / SE-580



REPAIR PARTS

Part No.	Description
SE-910	Brass 1/2" Ball Valve Assembly
SE-910-SSBV	Stainless Steel 1/2" Ball Valve Assembly
RPG05-1177	Aerator Replacement Group (6 each)
RPG21-0082-PC-P	In-Line Strainer Repair Assembly
RPG05-0715	SE-490 / SE-495 Non-Aerated Eye/Face Wash Bullhorn Assembly
RPG38-0390	SE-490 / SE-495 Non-Aerated Sprayhead Assembly
RPG05-0714	SE-580 / SE-582 Aerated Eye/Face Wash Bullhorn Assembly
RPG38-0379	SE-580 / SE-582 Aerated Sprayhead Assembly
RPG05-0943	Bullhorn Washer Group
RPG07-0104	Flip Top Dust Cap Replacement (20 per bag)