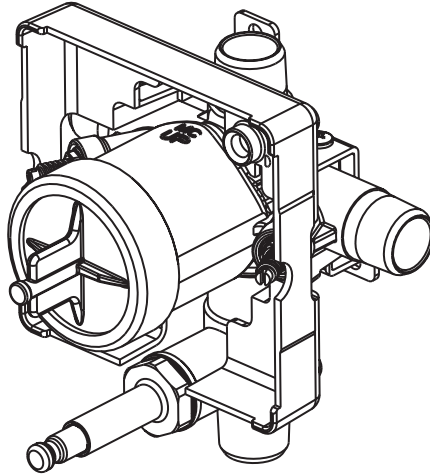


MultiChoice® Universal Rough Valve Body For Push Button Diverter

HDF
COMMERCIAL



R10300-UNWS



■ R10300-UNWS

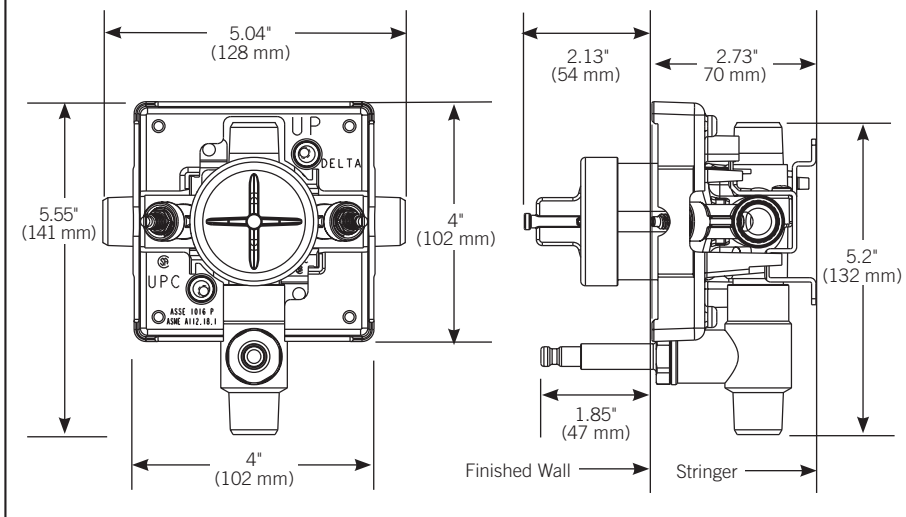
STANDARD SPECIFICATIONS:

- Forged brass body.
- Back-to-Back installation capabilities.
- Can be tested with air (200 PSI) or water (300 PSI) without valve using supplied test cap.
- Square plasteguard allows for right angle cuts.
- For use with MultiChoice® Universal single or dual function trim with push button diverter. Cartridge ships with trim.

Submitted Model No.: _____

Specific Features: _____

R10300-UNWS



COMPLIES WITH:

- ASME A112.18.1 / CSA B125.1