

Halo™

Adjustable Drain/Cleanout with Deck Flange



Unique

Stainless steel mounting flange with adjustable head will accommodate most flooring types

FinishLine option allows adjustment after the concrete pour

Versatile

Floor drain and cleanout models available for residential or commercial applications

Great for laundry/mechanical rooms, loft remodels, multifamily projects, etc.

Use on wood or corrugated decks, or in cored concrete floors

Supply

Drainage

Support

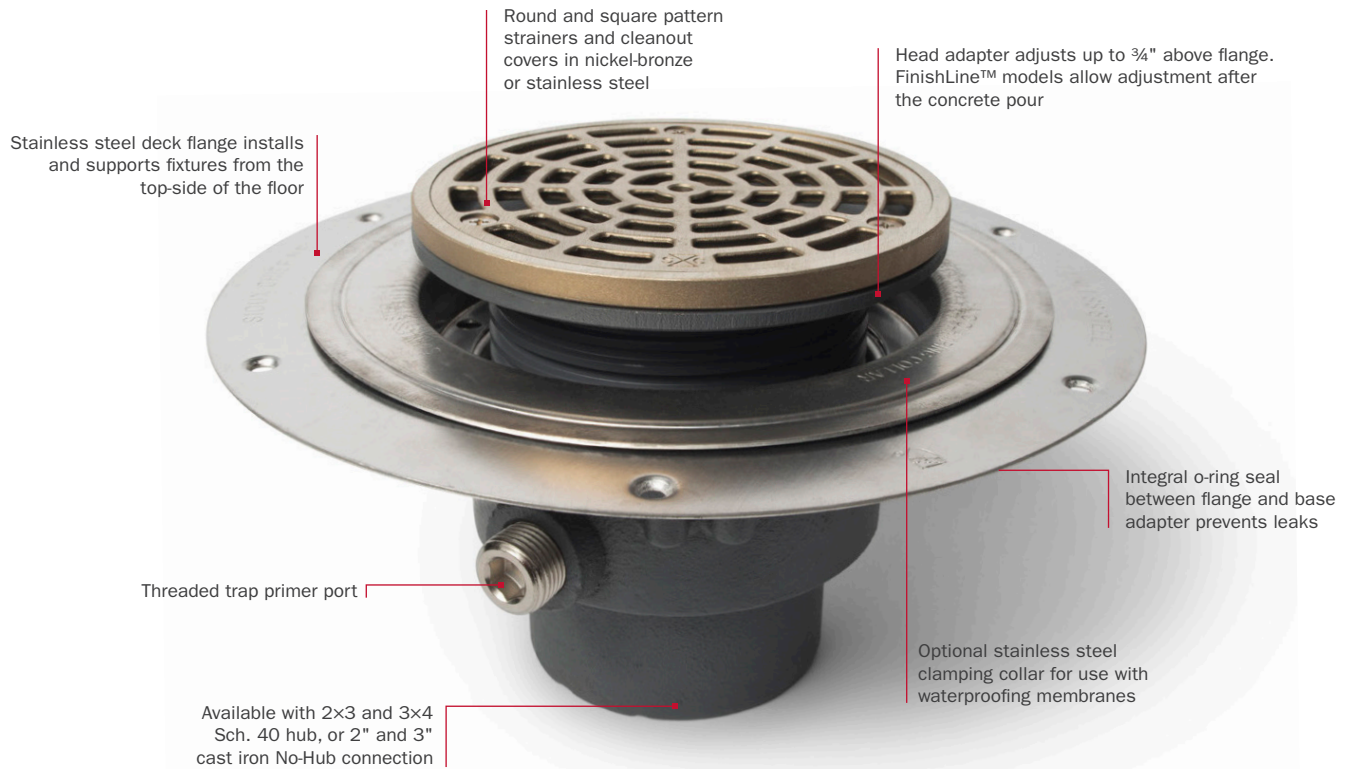
Specialties

www.siouxchief.com

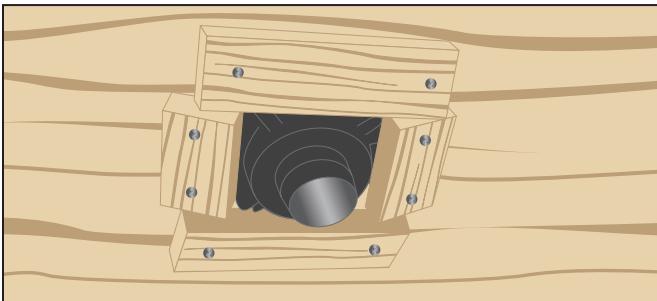
TAKE THE FIELD.



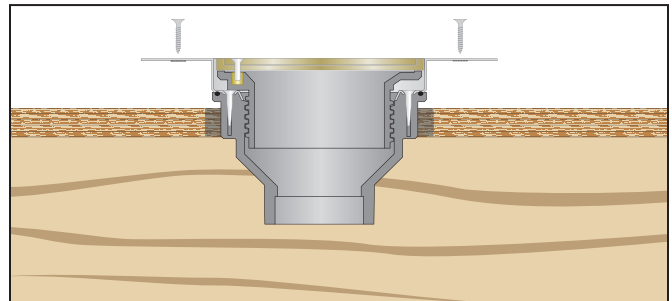
Unique Design Provides Versatility



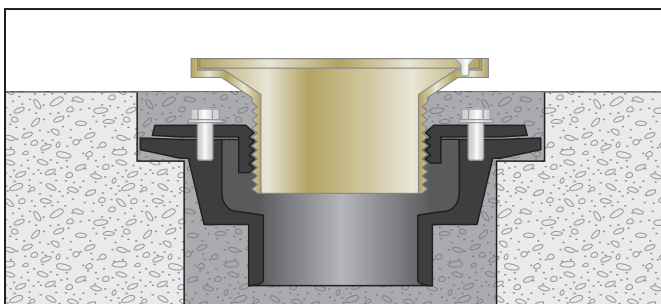
Installs Easier than Existing Methods



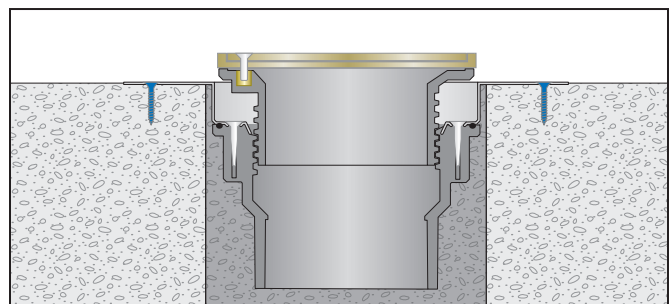
Blocking up a standard drain (with wood or strut) from under the floor is difficult and time consuming.



The Halo installs easily from the top side of the floor. Cut a 6" hole and secure with screws or nails.

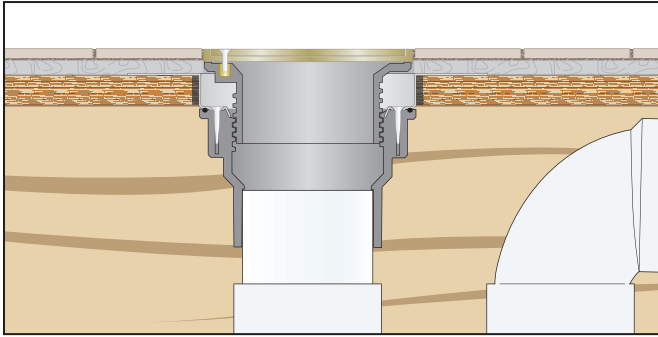


Standard drains require a more costly double-core when set in concrete slabs

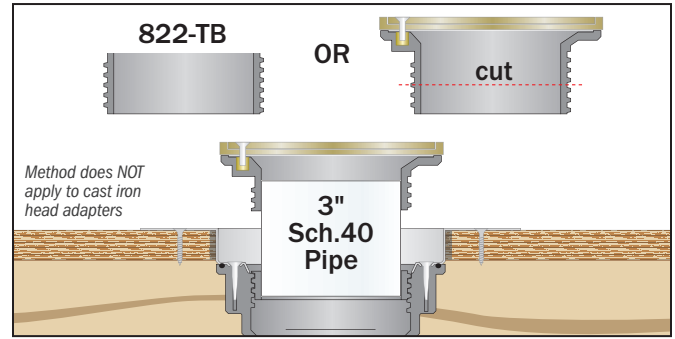


The Halo installs in a 6" cored (single) hole

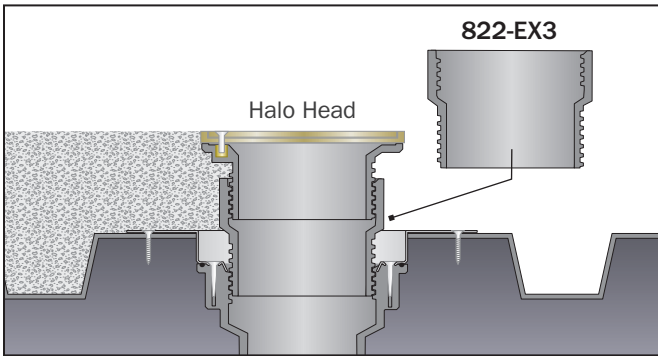
Adjusting and Extending the Head Adapter



The Halo adjusts from flush, up to 3/4" above the flange to accommodate thin flooring like vinyl or linoleum and thicker floors using cement board and tile.

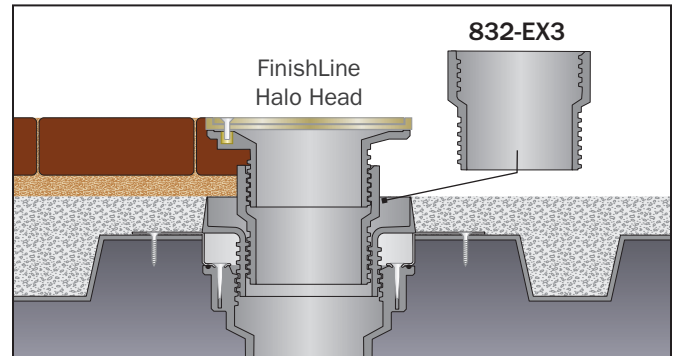


Extend Head with Pipe: Use the 822-TB or cut the ABS head adapter across the threads. Glue a measured length of 3" Sch. 40 pipe between the two parts with solvent cement.

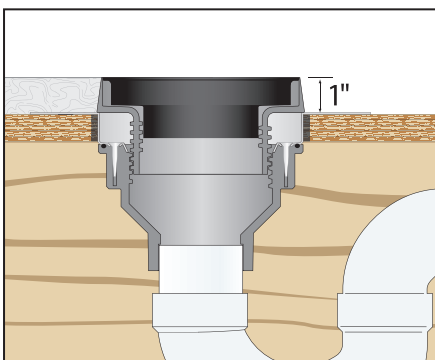


Extend Head with Adapter: The cast iron 822-EX3 extension adapter works with both ABS and cast iron components. Install between the Halo base and head adapter to extend the head from 1.75" to 3.0" above the flange.

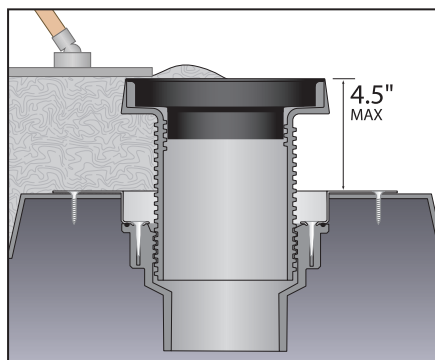
When using FinishLine Halo fixtures, the 832-EX3 extension adapter installs between the Coring Sleeve and FinishLine Halo head. Extends the head from 2.0" to 3.5" above the Coring Sleeve rim.



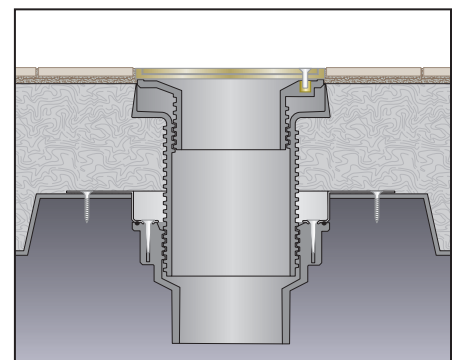
The FinishLine™ Option for Secondary Slab Pours



For lightweight concrete pours, the FinishLine option allows adjustment after the pour. Set the Halo in place and the FinishLine Coring Plug/Sleeve assembly sets 1" above the flange.



The 832-EPS3 extended Coring Sleeve (shown installed above) is great for deeper/structural slabs. It can be cut to length for easy FinishLine extensions. Finish lightweight pour or secondary slab flush with the plug/sleeve.



Remove the FinishLine Coring Plug and replace with the Finish Fixture when flooring is installed. Finish Fixture can be adjusted up to another 1" (or more when using the 832-EX3, above) after the secondary pour.

Halo™ Drain Sch. 40 Hub Connection

- ABS or PVC connection. Outlet welds over 2" and inside 3" or over 3" and inside 4"
- Nickel-bronze or stainless steel ring and strainer - round or square pattern.

“ Eric told us about the Halo drains he had learned about on his Sioux Chief plant tour, and they ended up being perfect for the job. We were able to core drill a smaller hole, drop in and fasten, then adjust the strainer. It saved us a considerable amount of time, not to mention a lot of headaches. ”

Brigham Wachal
Midwestern Mechanical



Halo™ Drain Cast Iron No-Hub Connection

- Coated ductile iron base adapter and head. 2" or 3" no-hub connection
- Nickel-bronze or stainless steel ring and strainer - round or square pattern.



Halo™ Cleanout Sch. 40 Hub Connection

- ABS or PVC connection. Outlet welds over 2" and inside 3" or over 3" and inside 4"
- Nickel-bronze or stainless steel ring and cleanout cover - round or square pattern.
- Includes mechanical test plug to seal out sewer gases



Halo™ Cleanout Cast Iron No-Hub Connection

- Coated ductile iron base adapter and head. 2" or 3" no-hub connection
- Nickel-bronze or stainless steel ring and cleanout cover - round or square pattern.
- Includes mechanical test plug to seal out sewer gases



Halo™ Drains

Options: Add letter after dash in item number.

M Clamping collar kit

Options: Add suffix to end of item number.

V Vandal-resistant screws

B Complies with Buy American Act¹

E Extended Ring¹

9 90° side outlet connection²

¹ Only available for round nickel bronze ring and strainer

² Only available for cast iron drain



822-F3DSR



822-2PNQ

Buying Information

| PVC ITEM NO | ABS ITEM NO | CAST IRON ITEM NO | RING & STRAINER | SCH. 40 CONNECTION | NO-HUB CONNECTION | MIN. QTY. | CASE QTY. |
|---|--|-------------------|------------------------|--------------------|-------------------|-----------|-----------|
| HALO DRAIN | | | | | | | |
| 822-2PNR | 822-2ANR | 822-2DNR | Round Nickel Bronze | 2"×3" | 2" | 1 | 4 |
| 822-2PSR | 822-2ASR | 822-2DSR | Round 304 Stainless | 2"×3" | 2" | 1 | 4 |
| 822-2PS | 822-2PAS | - | Round 18-ga. Stainless | 2"×3" | - | 1 | 4 |
| 822-2PNQ | 822-2ANQ | 822-2DNQ | Square Nickel Bronze | 2"×3" | 2" | 1 | 4 |
| 822-2PSQ | 822-2ASQ | 822-2DSQ | Square 304 Stainless | 2"×3" | 2" | 1 | 4 |
| 822-3PNR | 822-3ANR | 822-3DNR | Round Nickel Bronze | 3"×4" | 3" | 1 | 4 |
| 822-3PSR | 822-3ASR | 822-3DSR | Round 304 Stainless | 3"×4" | 3" | 1 | 4 |
| 822-3PS | 822-3AS | - | Round 18-ga. Stainless | 3"×4" | - | 1 | 4 |
| 822-3PNQ | 822-3ANQ | 822-3DNQ | Square Nickel Bronze | 3"×4" | 3" | 1 | 4 |
| 822-3PSQ | 822-3ASQ | 822-3DSQ | Square 304 Stainless | 3"×4" | 3" | 1 | 4 |
| FINISHLINE HALO ROUGH-IN DRAIN | | | | | | | |
| 822-2PF | 822-2AF | 822-2DF | Coring Plug | 2"×3" | 2" | 1 | 4 |
| 822-3PF | 822-3AF | 822-3DF | Coring Plug | 3"×4" | 3" | 1 | 4 |
| FINISHLINE HALO DRAIN FINISH FIXTURE | | | | | | | |
| 832-3HNR | 832-3DHR | 832-3DHR | Round Nickel Bronze | - | - | 1 | 10 |
| 832-3HSR | 832-3DHR | 832-3DHR | Round 304 Stainless | - | - | 1 | 10 |
| 832-3HNQ | 832-3DHNQ | 832-3DHNQ | Square Nickel Bronze | - | - | 1 | 10 |
| 832-3HSQ | 832-3DHSQ | 832-3DHSQ | Square 304 Stainless | - | - | 1 | 1 |
| FINISHLINE HALO COMPLETE ASSEMBLY | | | | | | | |
| 822-F2PNR | 822-F2ANR | 822-F2DNR | Round Nickel Bronze | 2"×3" | 2" | 1 | 1 |
| 822-F2PSR | 822-F2ASR | 822-F2DSR | Round 304 Stainless | 2"×3" | 2" | 1 | 1 |
| 822-F2PNQ | 822-F2ANQ | 822-F2DNQ | Square Nickel Bronze | 2"×3" | 2" | 1 | 1 |
| 822-F2PSQ | 822-F2ASQ | 822-F2DSQ | Square 304 Stainless | 2"×3" | 2" | 1 | 1 |
| 822-F3PNR | 822-F3ANR | 822-F3DNR | Round Nickel Bronze | 3"×4" | 3" | 1 | 1 |
| 822-F3PSR | 822-F3ASR | 822-F3DSR | Round 304 Stainless | 3"×4" | 3" | 1 | 1 |
| 822-F3PNQ | 822-F3ANQ | 822-F3DNQ | Square Nickel Bronze | 3"×4" | 3" | 1 | 1 |
| 822-F3PSQ | 822-F3ASQ | 822-F3DSQ | Square 304 Stainless | 3"×4" | 3" | 1 | 1 |
| ACCESSORIES | | | | | | | |
| 832-S3 | Shim Kit for FinishLine Halo: Two Shims, Two 3/4" Screws | | | | | 1 | 10 |
| 832-3HHD | Hub Drain Finish Fixture for FinishLine Halo - threads into Coring Sleeve | | | | | 1 | 10 |
| 832-3HS | Finish Fixture for FinishLine Halo: Round 18-ga. stainless steel strainer | | | | | 1 | 10 |
| 832-EPS3 | Extended ABS Coring Sleeve & Plug: Threads into Halo body, use with FinishLine Finish Fixtures | | | | | 1 | 1 |
| 822-EX3 | Cast Iron Extension Adapter: Fits between Halo head or FinishLine Coring Sleeve and Halo body | | | | | 1 | 1 |
| 822-TB | ABS Thread Bushing for Halo Head | | | | | 1 | 1 |
| 832-EX3 | Cast Iron Extension Adapter: Fits between FinishLine Finish Fixture and Coring Sleeve | | | | | 1 | 1 |
| 863-FA | Round Aluminum Condensate Funnel W/ Screws | | | | | 1 | 5 |
| 863-FN | Round Nickel Bronze Condensate Funnel W/ Screws | | | | | 1 | 5 |

Halo™ Cleanouts

Options: Add letter suffix.
V Vandal-resistant screws
S Stamping: specify letters
C Carpet marker



822-C3PNQ



822-CF3DSR

Buying Information

| PVC ITEM NO | ABS ITEM NO | CAST IRON ITEM NO | RING & COVER | SCH. 40 CONNECTION | NO-HUB CONNECTION | MIN. QTY. | CASE QTY. |
|---|--|-------------------|----------------------|--------------------|-------------------|-----------|-----------|
| HALO CLEANOUT | | | | | | | |
| 822-C3PNR | 822-C3ANR | 822-C3DNR | Round Nickel Bronze | 3" hub | 3" | 1 | 4 |
| 822-C3PSR | 822-C3ASR | 822-C3DSR | Round 304 Stainless | 3" hub | 3" | 1 | 4 |
| 822-C3PNQ | 822-C3ANQ | 822-C3DNQ | Square Nickel Bronze | 3" hub | 3" | 1 | 1 |
| 822-C3PSQ | 822-C3ASQ | 822-C3DSQ | Square 304 Stainless | 3" hub | 3" | 1 | 1 |
| 822-C4PNR | 822-C4ANR | - | Round Nickel Bronze | inside 4" | - | 1 | 1 |
| 822-C4PSR | 822-C4ASR | - | Round 304 Stainless | inside 4" | - | 1 | 4 |
| 822-C4PNQ | 822-C4ANQ | - | Square Nickel Bronze | inside 4" | - | 1 | 1 |
| 822-C4PSQ | 822-C4ASQ | - | Square 304 Stainless | inside 4" | - | 1 | 1 |
| FINISHLINE HALO ROUGH-IN CLEANOUT | | | | | | | |
| 822-C3PF | 822-C3AF | 822-C3DF | Coring Plug | 3" hub | 3" | 1 | 1 |
| FINISHLINE HALO CLEANOUT FINISH FIXTURE | | | | | | | |
| 834-3HNR | 834-3DHNR | | Round Nickel Bronze | - | - | 1 | 1 |
| 834-3HSR | 834-3DHSR | | Round 304 Stainless | - | - | 1 | 1 |
| 834-3HNQ | 834-3DHNQ | | Square Nickel Bronze | - | - | 1 | 1 |
| 834-3HSQ | 834-3DHSQ | | Square 304 Stainless | - | - | 1 | 1 |
| FINISHLINE HALO CLEANOUT COMPLETE ASSEMBLY | | | | | | | |
| 822-CF3PNR | 822-CF3ANR | 822-CF3DNR | Round Nickel Bronze | 3" hub | 3" | 1 | 1 |
| 822-CF3PSR | 822-CF3ASR | 822-CF3DSR | Round 304 Stainless | 3" hub | 3" | 1 | 1 |
| 822-CF3PNQ | 822-CF3ANQ | 822-CF3DNQ | Square Nickel Bronze | 3" hub | 3" | 1 | 1 |
| 822-CF3PSQ | 822-CF3ASQ | 822-CF3DSQ | Square 304 Stainless | 3" hub | 3" | 1 | 1 |
| ACCESSORIES | | | | | | | |
| 832-S3 | Shim Kit for FinishLine Halo: Two Shims, Two 3/4" Screws | | | | | 1 | 10 |
| 832-EPS3 | Extended ABS Coring Sleeve & Plug: Threads into Halo body, use with FinishLine Finish Fixtures | | | | | 1 | 1 |
| 822-EX3 | Cast Iron Extension Adapter: Fits between Halo head or FinishLine Coring Sleeve and Halo body | | | | | 1 | 1 |
| 822-TB | ABS Thread Bushing for Halo Head | | | | | 1 | 1 |
| 832-EX3 | Cast Iron Extension Adapter: Fits between FinishLine Finish Fixture and Coring Sleeve | | | | | 1 | 1 |

TAKE THE FIELD.