

OVERHEAD BRACKETING SYSTEM

523 SERIES

PowerBar™ Mini Strut

SPECIFICATION

Sioux Chief 523-2MS series PowerBar™ Mini Strut shall be used where necessary for hanging pipes overhead from 3/8" threaded rod. Bracket shall be corrosion resistant. Bracket shall include Sioux Chief Touchdown or TD+™ universal clamps for fastening any tube, pipe or conduit up to 2" maximum O.D. System shall be approved for use with insulated or non-insulated copper, CPVC tube, PEX/PB tube, steel pipe, plastic or steel conduit. System shall be UV resistant. Bracket and clamps shall be CPVC compatible. System shall be IAPMO certified.

INSTALLATION

Once adjustable clamps are installed in bracket channel, insert 3/8" all-thread rod to suspend bracket, using approved 3/8" hex nuts and washers (not provided). When specified, use hardware above and below bracket channel. Slide adjustable clamps to desired position within bracket channel. Place conduit between clamp posts and engage clamp bridge. Ratchet bridge of channel clamp down over both posts evenly. Install optional Sioux Chief TD+™ universal clamp or any accepted two-hole pipe strap to bracket using #6 – #10 screws.

MATERIALS

Bracket: 20 gauge galvanized steel

Channel clamp and bridge: Nylon 66, UL94 V2

Clamp insert: TPE

SAFE WORKING LOAD

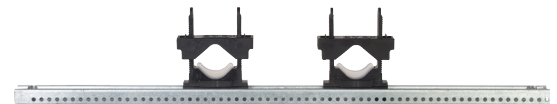
Bracket:	70 lbs	Channel clamp:	Temp	Safe load
			-10°F " – 130°F	70 lbs.
			131°F " – 179°F	38 lbs.
			180°F " – 220°F	12 lbs.

*Safe working load = 1/2 failure of centrally hung load

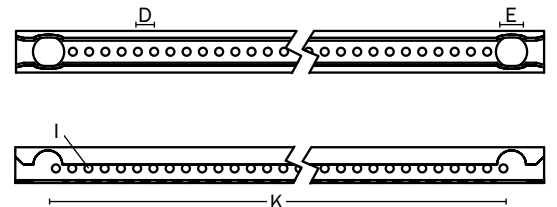
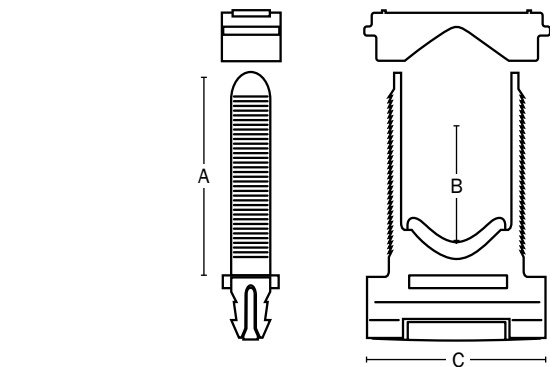
DIMENSIONS

A: channel clamp post	1 7/8"
B: clamping range	1/4" – 1 3/8"
C: channel clamp base	1 7/8"
D: pilot hole spacing	0.203" on center
E: all-thread hole diameter	0.39"
F: bracket length	13 5/8"
G: bracket height	0.529"
H: bracket width	0.602"
I: pilot hole diameter	0.1"
J: metal thickness	0.036"
K: spacing between all-thread holes	12 3/4" on center

ITEM # SUBMITTED	_____
JOB NAME	_____
LOCATION	_____
ENGINEER	_____
CONTRACTOR	_____
PO#	_____ TAG _____



523-2MS2



Made in USA

Create Item Number

523-2MSA

e.g. **523-2MS4**: steel bracket with four channel clamps

BRACKET CONFIGURATION A

- = bracket only, no clamps
- 2** = bracket, two clamps
- 3** = bracket, three clamps
- 4** = bracket, four clamps