

FIRE-RATED OXBOX

DESIGN SPECIFICATION

1. WALL CONSTRUCTION

- Wood or metal stud construction, max 100 in.² of penetrations per 100 ft² of wall.
- 16" or 24" on-center stud construction.
- Can be installed with a gap between front and back wall assemblies (UL Design # U341) (Figure 2).
- Single-layer 5/8" gypsum construction with 1-hour fire rating.
- Double-layer 5/8" gypsum construction with 2-hour fire rating. Frame extensions can be used.
- Boxes cannot be installed back to back.

2. PIPE/BOX SUPPORT

- Each outlet box shall be installed in a separate stud bay and attached to the stud (Figure 3 & 4). Fire rating does not apply to installations of two or more boxes in the same stud bay.
- Supplied support bar.
- Supply lines to be installed using ordinary methods.
- Drain line to be supported using ordinary methods.

3. PIPE MATERIAL

- 2" or larger metallic, PVC, or ABS DWV pipe.
- Metallic or plastic water supply pipe.

4. FIRESTOP DEVICE

Sioux Chief fire-rated OxBox uses fire-rated resin. Boxes have 4" x 4" intumescent adhesive pads factory installed on the back of boxes.

NOTE: Gaps up to 1/2" around box can be sealed with drywall plaster. Larger gaps require firestop sealant applied to opening spanning entire drywall depth

FIGURE 1

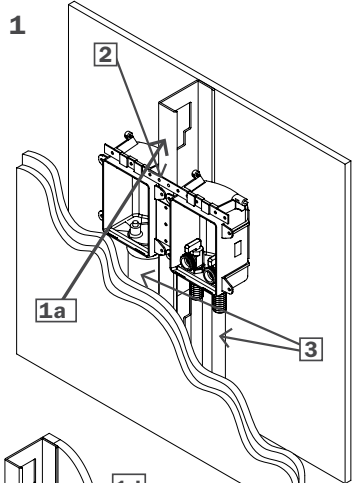
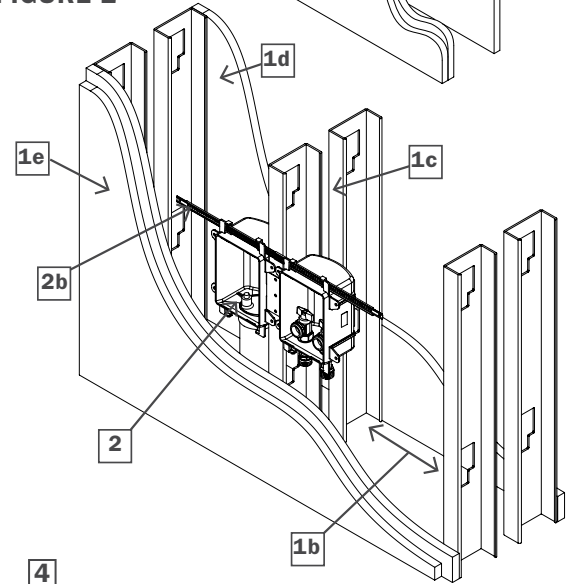


FIGURE 2



4

Fire-rated ABS

UL D.#U341

"over stud" installation

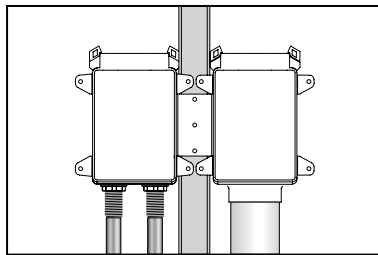


FIGURE 3

"separate stud bay" installation

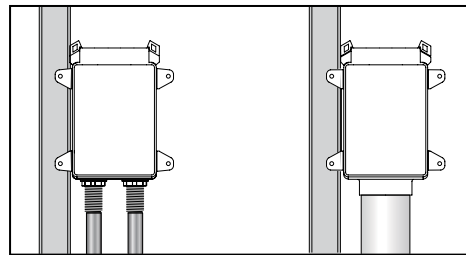


FIGURE 4

THE FIRE-RATED OXBOX IS CERTIFIED BY INTERTEK/WARNOCK HERSEY TO THE FOLLOWING FIRE RATING STANDARDS:

ASTM E-814

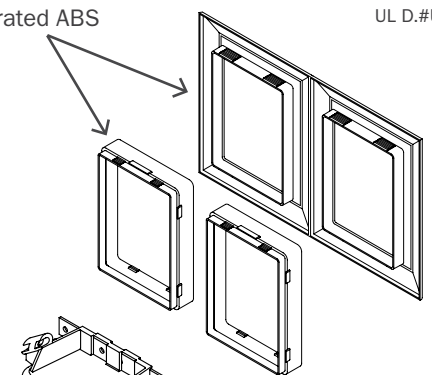
2 hours (F), 1½" hours (T)
for 2-hour design
1 hour (F), 31 mins (T)
for 1-hour design

ASTM E119

CAN/ULC S115

2 hours (F), 1½" hours (T)
for 2-hour design
1 hour (F), 31 mins (T)
for 1-hour design

UL 1479



Intumescent pads