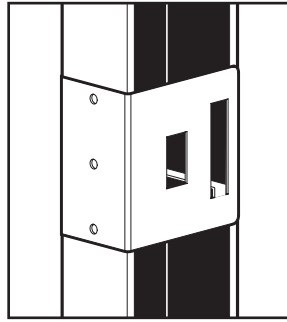
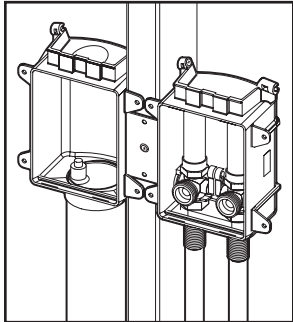


Ox Box™

Fire-Rated Washing Machine Outlet Box

Metal Stud Support Soporte de Metal del Montante



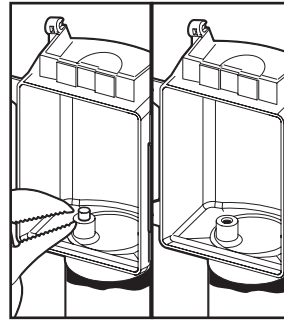
Listed by Warnock Hersey (F) (T) to meet ASTM E-814
2 hours (F), 1½ hours (T) for 2-hour design
1 hour (F), 31 mins (T) for 1-hour design
ASTM E-119
Package includes factory-installed intumescent pads.

Ajuste a ASTM E-814
2 horas (F), 1½ horas (T) for diseño de dos horas
1 hora (F), 31 minutos (T) for diseño de la hora
Ajuste a ASTM E-119
El paquete incluye almohadillas intumescentes
instaladas por la fabrica.

Tab folds into metal stud for added rigidity.

Los punteros doblen adentro del montante de metal para mas rigidez.

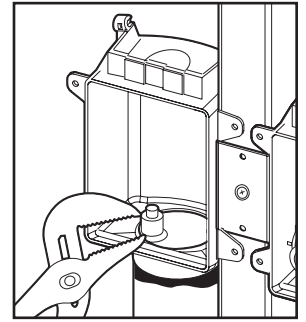
Test the System Prueba el Sistema



Twist off small tip. Connect 5/8" O.D. compression fitting for air or water test.

Rompe la punta pequeña torciéndola. Conecta la parte suelta de compresión de 5/8 diámetro exterior a la prueba de aire o agua.

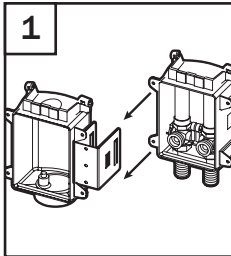
Remove Test Cap Remueve la Tapa de Probar



Remove the test cap by clamping and twisting off the test nipple.

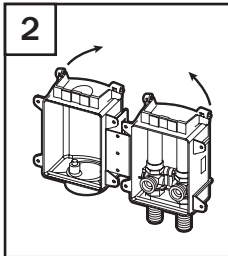
Remueve la tapa de probar con abrazando y torciendo el pezón de probar.

Installation Instructions Instrucciones de Instalación



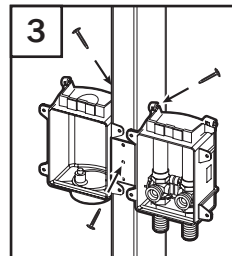
Clip boxes together in desired configuration. Clip slides into tracks.

Sujete las cajas juntas en la configuración deseada. Sujete los lados adentro de las vías.



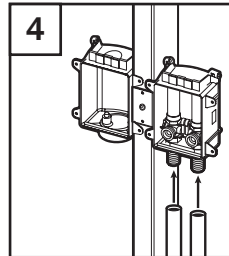
Gently bend boxes together. This will allow the boxes to hold onto the stud.

Suavemente doble las cajas juntas. Esto dejara que las cajas sostengan sobre el montante.



Secure with nails/screws in the middle of the box clip and the top nailways.

Asegure con clavos/tornillos en medio de la caja de sujetar y los caminos de arriba de clavos.



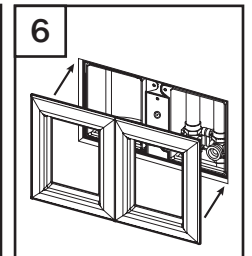
Plumb the supply lines in the typical manner. Open valves before soldering.

Aplome las líneas de provisión en la manera típica. Abre las válvulas antes de soldar.



Plumb the drain line in the typical manner. Wait for glue to cure before testing.

Aplome la línea de desagüe en la manera típica. Espera que el pegamento cure antes de probar.



Install the frame after the wall has been finished.

Instale el marco después que sea terminado la pared.

WASHING MACHINE

Caja de Abertura de la Lavadora

Includes: supply box with pad, drain box, box clip, 18" galvanized support bar

Incluye: caja de provisión con una almohadilla, caja de desagüe, sujetador de caja, barra de soporte galvanizado de 18"

Patents 7,360,553 & 7,735,511

Patente 7,360,553 & 7,735,511

Sioux Chief

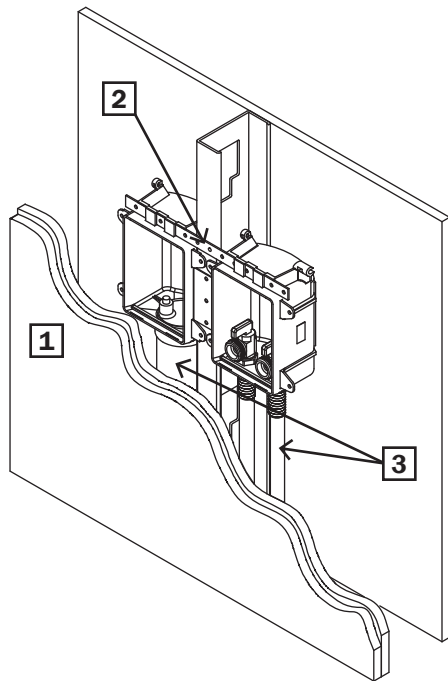


MANUFACTURING SINCE 1957

Fire-Rated Ox Box™

Outlet Box

Design Specification



1 Wall Construction

- a Wood or metal stud construction, max 100 in.² of penetrations per 100 ft² of wall
- b Single-layer 5/8" gypsum construction with 1-hour fire rating
- c Double-layer 5/8" gypsum construction with 2-hour fire rating
- d Boxes cannot be installed back to back

2 Pipe/Box Support

- a Each outlet box must be installed in a separate stud bay and attached to the stud, as shown below in "over-stud" or "separate stud bay" installation examples. Fire rating does not apply to installations of two or more boxes in the same stud bay.
- b Supplied support bar to be installed through at least one box's slotted opening
- c Supply lines to be installed using ordinary methods
- d Drain line to be supported using ordinary methods

3 Pipe Material

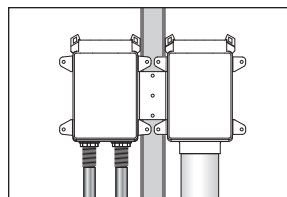
- a 2" or larger metallic, PVC, or ABS DWV pipe
- b Metallic or plastic water supply pipe

4 Firestop Device

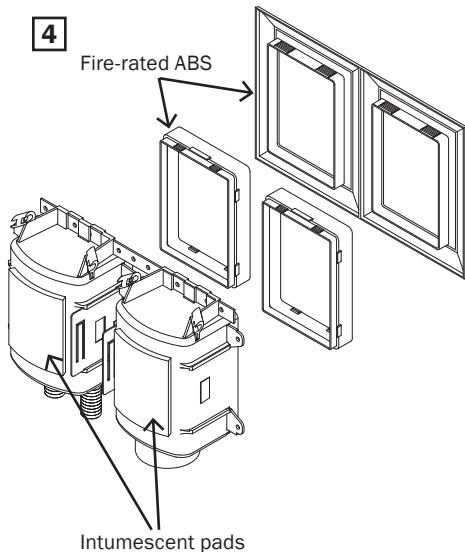
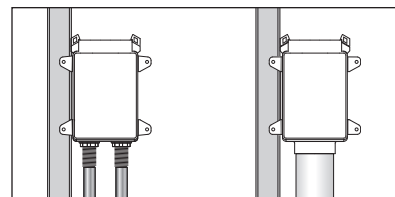
- a Sioux Chief fire-rated Ox Box frame and frame extension are constructed using fire-rated resin. Boxes have 4" x 4" intumescent adhesive pads factory installed on the back of boxes.

NOTE: Gaps up to 1/2" around box can be sealed with drywall plaster. Larger gaps require firestop sealant applied to opening spanning entire drywall depth.

"over stud" installation



"separate stud bay" installation



The Fire-Rated Ox Box is certified by Intertek/Warnock Hersey to the following Fire Rating Standards:

ASTM E-814

2 hours (F), 1½ hours (T)
for 2-hour design
1 hour (F), 31 mins (T)
for 1-hour design

ASTM E119

CAN/ULC S115

2 hours (F), 1½ hours (T)
for 2-hour design
1 hour (F), 31 mins (T)
for 1-hour design

UL 1479



DISTRIBUTED BY

24110 South Peculiar Drive
Peculiar, Missouri 64078
tel: 1-800-821-3944
fax: 1-800-758-5950
www.siouxchief.com

