

ADJUSTABLE ON-GRADE CLEANOUT

» 834 SERIES

FinishLine™

SPECIFICATION

Sioux Chief 834 series FinishLine adjustable on-grade cleanout shall be used where necessary in drainage systems. Cleanout shall allow adjustment before and AFTER the concrete pour. Cleanout cover shall meet applicable load requirements for intended use. Cleanout shall include a slotted, polypropylene or optional brass cleanout plug, situated in base adapter. Designed in accordance with ASME A112.36.2M-2002

MATERIALS

Ring/cover: Nickel-bronze, stainless steel, ductile iron

Coring Plug: High-impact polymer

Head Adapter/Coring Sleeve/Base Adapter: Ductile iron

Cleanout plug: Polypropylene, brass (optional)

COVER LOAD RATING

Nickel-Bronze: 4,000 lbs. (Medium duty)

Reinforced Nickel-Bronze (H): 15,000 lbs. (Special duty)

Stainless Steel: 4,000 lbs. (Medium duty)

Ductile Iron: 6,000 lbs. (Heavy duty)

Reinforced Ductile Iron (H): 15,000 lbs. (Special duty)

DIMENSIONS

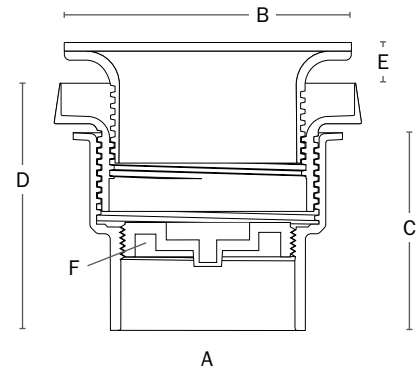
A: Connection (No-Hub)	3", 4"
B: Ring/cover diameter	
Round	6-1/2"
Square	6-5/8"
C: Base adapter height ¹	4-1/2"
D: Pre-pour height ¹	5-3/8" - 6-5/8"
E: After-pour height	
Round	0" - 1-1/4"
Square	5/16" - 1-1/4"
F: Cleanout plug	3-1/2" male thread

1 add 7/16" for Push-Joint connection

ITEM # SUBMITTED	_____
JOB NAME	_____
LOCATION	_____
ENGINEER	_____
CONTRACTOR	_____
PO#	_____ TAG _____



834-4DNR



Create Item Number

834-ABC

e.g. **834-4DNRH:** FinishLine cleanout with 4" No-Hub connection and reinforced, nickel-bronze cover

CONNECTION **A**

- 3D** = 3" No-Hub
- 63D** = 3" Push-Joint
- 4D** = 4" No-Hub
- 64D** = 4" Push-Joint

RING/COVER **B**

- NR** = Nickel-bronze - Round
- NQ** = Nickel-bronze - Square
- SR** = Stainless steel - Round
- SQ** = Stainless steel - Square
- iR** = Ductile iron - Round

INSTALLED OPTIONS **C**

- V** = Vandal-resistant cover screws
- S** = Stamping: specify letters¹
- C** = Carpet marker
- B** = Brass plug in place of polypro
- Z** = Complies with Buy American Act²
- P** = Push-Joint gasket for ABS/PVC pipe³
- H** = Reinforced cover - Special Duty⁴
- T** = Recessed cover for Terrazzo flooring²

Available separately:

- Leveling shim kit: 832-S4
- Iron extension adapter: 832-EX4
- Locating bristle kit: 832-W

- 1 Not available for ductile iron covers
- 2 Only for cleanouts with round nickel-bronze covers
- 3 In place of standard gasket for Push-Joint cleanouts
- 4 Not available for stainless steel covers