



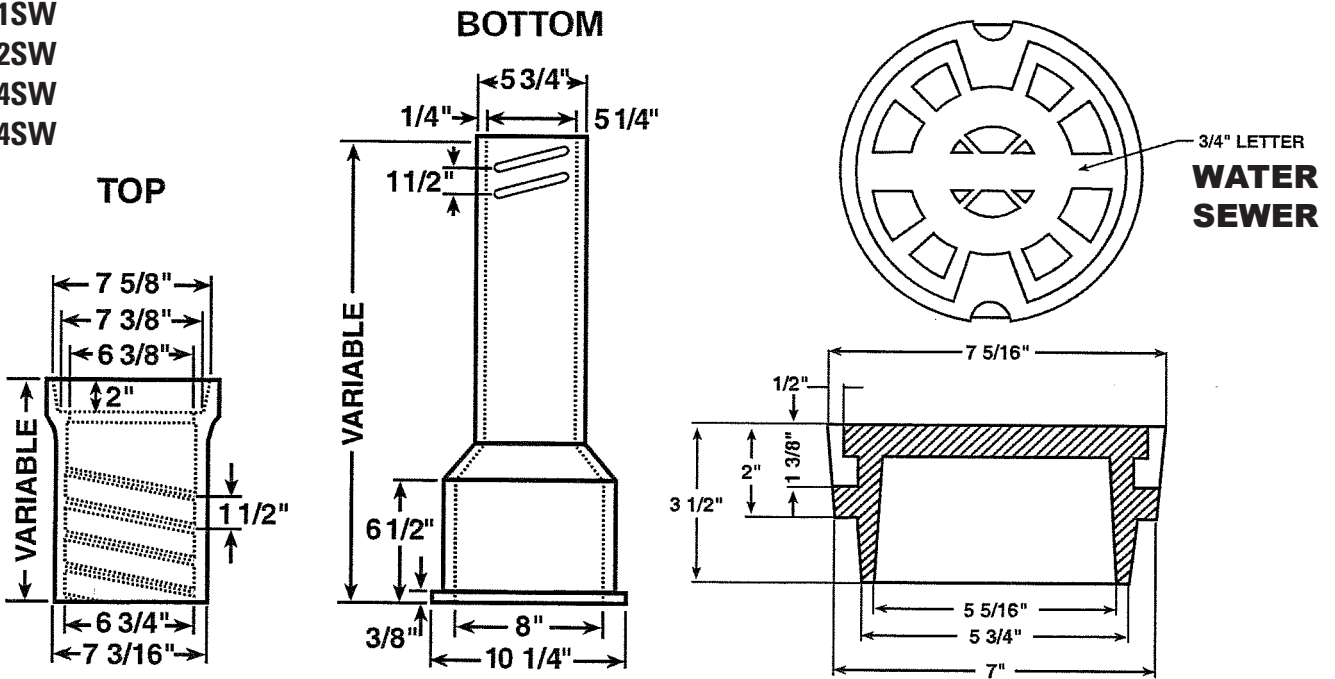
# ASSEMBLED CAST IRON SCREW VALVE BOX

## Product Features

All valve boxes and related parts shall be coated on all surfaces with an asphaltic varnish of 2mm in thickness.

## Model Numbers

- PSVB461SS
- PSVB461SW
- PSVB562SW
- PSVB564SW
- PSVB664SW



### DIMENSIONS/COMPONENTS

ITEM #	TOP	BOTTOM	LID	RANGE	WEIGHT (LBS)
PSVB461SS	IVBSTS10 10"	IVBSBS15 15"	IVBLIDS 5-1/4"	19"-22"	43.00
PSVB461SW	IVBSTS10 10"	IVBSBS15 15"	IVBLIDW 5-1/4"	19"-22"	43.00
PSVB562SW	IVBSTS16 16"	IVBSBS24 24"	IVBLIDW 5-1/4"	27"-37"	64.00
PSVB564SW	IVBSTS16 16"	IVBSBS36 36"	IVBLIDW 5-1/4"	39"-50"	81.00
PSVB664SW	IVBSTS26 26"	IVBSBS36 36"	IVBLIDW 5-1/4"	39"-60"	97.00

## Codes & Approvals

Valve boxes conform to ASTM A-48, Grade 30B; Asphaltic varnish conforms to AWWA C-104.