



# Z5890

Cast Iron Service Sink

TAG \_\_\_\_\_

### Architectural/Engineering Specification:

24" x 20" enameled cast iron service sink with 9" backsplash and no faucet holes or 8" center faucet holes. Provided with hanger plate and U-type rim guard.

### Product Features:

- 24" [610 mm] x 20" [508 mm]
- Enameled cast iron
- Plain back (no faucet holes) or 8" center faucet holes
- Complete with stainless steel rim guard and wall hanger
- For use with trap standard
- Depth: 11-1/4"
- Shipping Weight: 125 lbs.

### Compliance and Certification:

- ASME A112.19.1/ CSA B45.2



### Recommended Trim:

- Z5900-IP2 Cast Iron Exposed Trap with 2" IPS Outlet
- Z5900-IP3 Cast Iron Exposed Trap with 3" IPS Outlet
- Z843M1 8" Service Sink Faucet

### Faucet Hole Option:

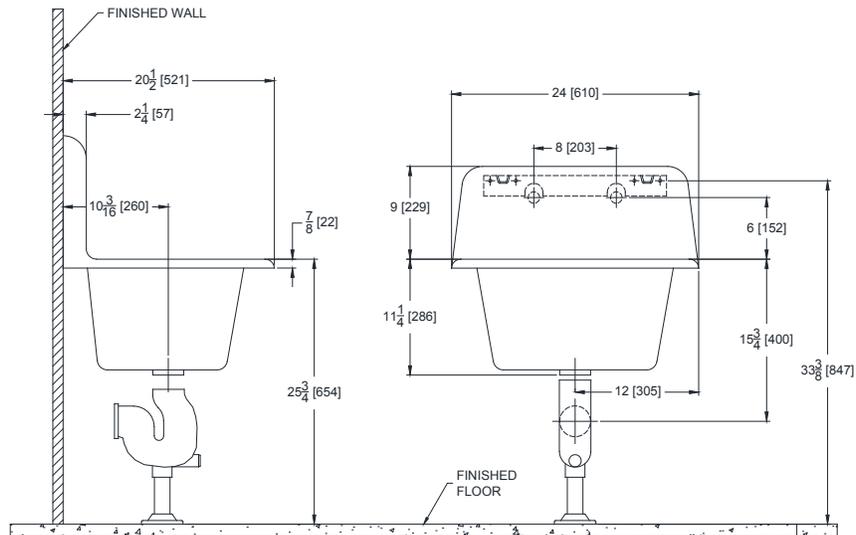
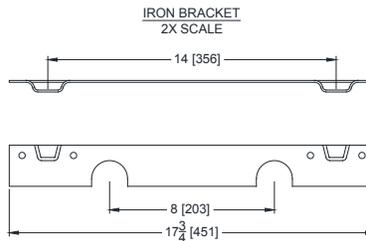
- Z5890 No Faucet Hole
- Z5898 8" Center Faucet Hole

Architectural/Engineering Approval

Fixture dimensions meet ASME A112.19.1 / CSA B45.2 requirements.

The information contained in this document is subject to change without notice.  
Please contact Zurn for most up to date information.

Rough-in dimensions/Overview dimensions



Note: Rough-in for concealed arm carrier, see Zurn Z1224 or Z1229 Rough-in sheet

Fixture dimensions meet ASME A112.19.1 / CSA B45.2 requirements.