

SPEAKMAN COMPANY

AL3-DPDT Installation, Maintenance & Operation Instructions

ALARM SYSTEM

DESCRIPTION

Emergency equipment alarm with electric audio and visual flashing light that is activated by a double pole, double throw vapor proof flow switch. Unit is also equipped with a silencing switch.

SPECIFICATIONS

FLOW SWITCH: ¾" Double Pole Double Throw, Vapor Proof Flow Switch (Dwyer #V6EPBSD60).

AUDIO/VISUAL DEVICE:

Audio: 85dB @ 10 Ft.

Visual: 75 Flashes per Minute Incandescent Bulb

SHIPPING WEIGHT: 15 lb.

ELECTRICAL DATA:

ELECTRICAL SUPPLY: 120 VAC, 60 Cycle, Single Phase.

ELECTRICAL RATING: 5.5 Amps @ 120 VAC.

COMPLIANCE: Unit rated for *NEMA 3R* outdoor/wet locations in *Non-Hazardous Locations*.

*Power supplies to be in compliance with (N.E.C.) **National Electric Code**.

OPTIONS

◇ BLUE DOME
◇ RED DOME
◇ CLEAR DOME
◇ Green DOME

INSTALLATION

To avoid electric shock make sure power supply is shut off before doing any electrical maintenance to this unit. Power supply requirement is 120 VAC, 60 cycle, single phase. Ground-fault protection should be GFPD with a nominal 30 milliampere trip level to prevent nuisance tripping. Minimum 15 AMP breaker is required. Make sure power supply and installation is in compliance with all local codes and the **National Electric Code** (N.E.C.).

OPERATION

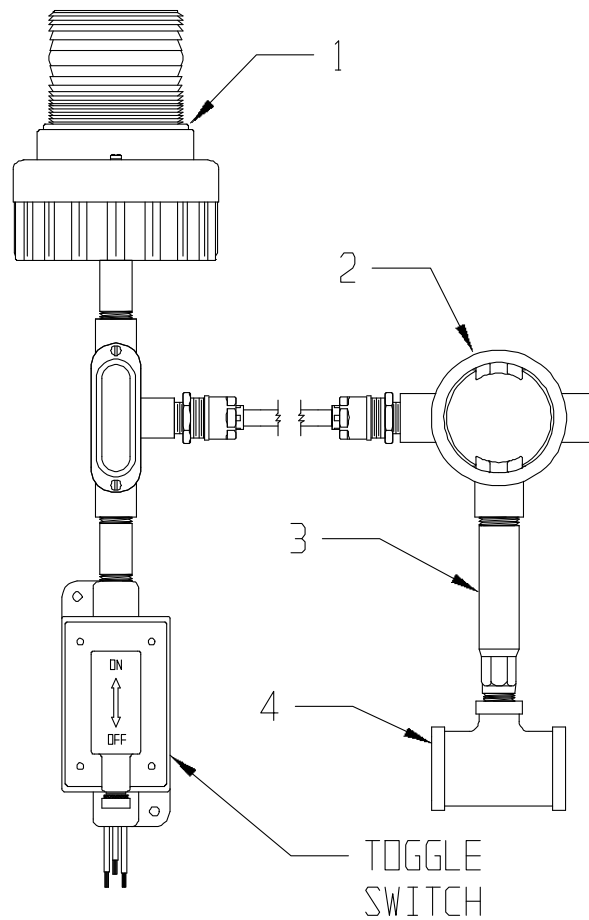
Horn sounds and light flashes automatically when emergency equipment is activated and water flow triggers the flow switch. Horn will sound and light will flash until emergency equipment is deactivated.

TESTING PROGRAM

The American National Standards Institute (ANSI) states that all safety emergency equipment shall be activated on a weekly basis to flush the line and verify proper operation. Speakman Company furnishes a testing record tag (91-0635) with each unit. On this tag the date of inspection and the inspector's initials should be noted.

MAINTENANCE

To avoid electric shock make sure power supply is shut off before doing any electrical maintenance to this unit. Should you need to replace/repair any part on this unit, please reference the parts list below for correct part numbers. Be sure water supply is shut off if flow switch is being repaired.



AL3-DPDT REPLACEMENT/REPAIR PARTS

<u>ITEM</u>	<u>PART/GROUP #</u>	<u>DESCRIPTION</u>
1	76-0204	Audio/Visual Device
2	76-0208	(3) Outlet 3/4" Junc. Box
3	76-0194	DPDT Flow Switch
4	24-0253-GAL	1-1/4 X 1-1/4 X 1/2" Tee

WARNING: Use only genuine Speakman parts when repairing or replacing components. To order parts call 1-800-537-2107.

SPEAKMAN®
PO Box 191 Wilmington, DE 19899 Phone: 800-537-2107 Fax: 800-977-2747
Visit us on the web at www.speakmancompany.com