

# **SPEAKMAN®**

AL3-DPDT

## **Installation, Operation & Maintenance Instructions**

ALARM SYSTEM

### **DESCRIPTION**

Emergency equipment alarm with electric audio and visual flashing light that is activated by a double pole, double throw vapor proof flow switch. Unit is also equipped with a silencing switch.

### **SPECIFICATIONS**

FLOW SWITCH: ¾" Double Pole Double Throw, Vapor Proof Flow Switch

AUDIO/VISUAL DEVICE:

AUDIO: 85dB @10 Ft.

VISUAL: 75 Flashes per Minute Incandescent Bulb

SHIPPING WEIGHT: 15 lb.

### **ELECTRICAL DATA**

ELECTRICAL SUPPLY: 120 VAC, 60 Cycle, Single Phase.

ELECTRICAL RATING: 5.5 Amps @ 120 VAC.

COMPLIANCE: Unit rated for *NEMA 3R* outdoor/wet locations in *Non-Hazardous Locations*.

\*Power supplies to be in compliance with (N.E.C.) National Electric Code.

### **OPTIONS:**

<b>BLUE DOME</b>
<b>RED DOME</b>
<b>CLEAR DOME</b>
<b>GREEN DOME</b>

### **INSTALLATION**

To avoid electric shock make sure power supply is shut off before doing any electrical maintenance to this unit. Power supply requirement is 120 VAC, 60 cycle, single phase. Ground-fault protection should be GFPD with a nominal 30 milliampere trip level to prevent nuisance tripping. Minimum 15 AMP breaker is required. Make sure power supply and installation is in compliance with all local codes and the **National Electric Code** (N.E.C.).

### **OPERATION**

Horn sounds and light flashes automatically when emergency equipment is activated and water flow triggers the flow switch. Horn will sound and light will flash until emergency equipment is deactivated.

### **TESTING PROGRAM**

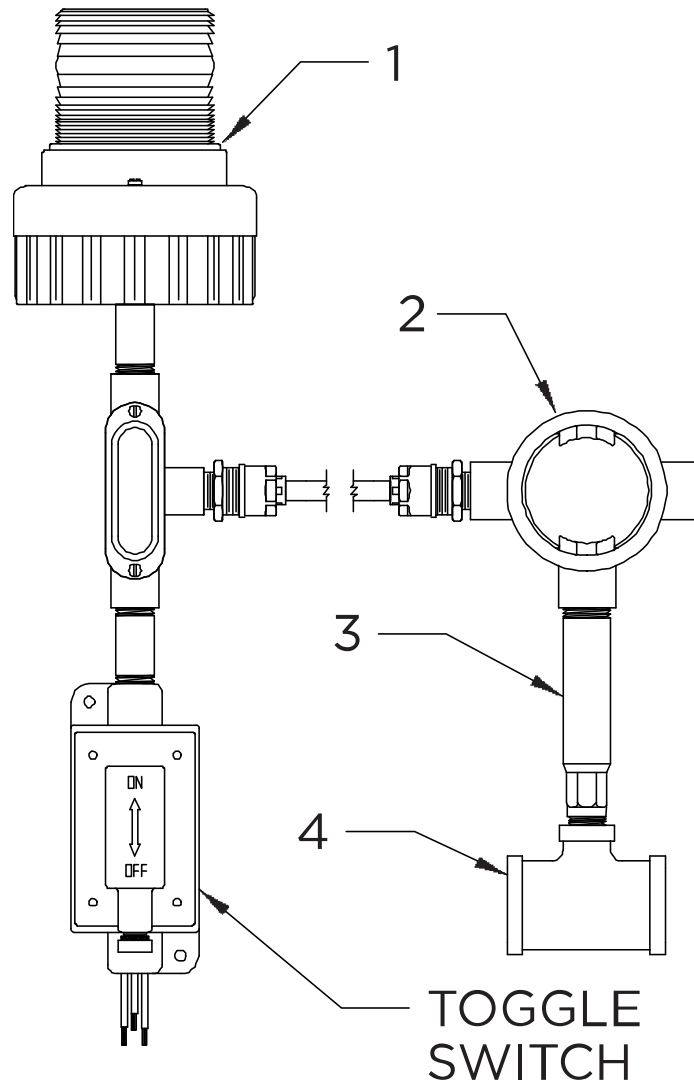
The American National Standards Institute (ANSI) states that all safety emergency equipment shall be activated on a weekly basis to flush the line and verify proper operation. Speakman Company furnishes a testing record tag (91-0635) with each unit. On this tag the date of inspection and the inspector's initials should be noted.

**SPEAKMAN®**

## MAINTENANCE

To avoid electric shock make sure power supply is shut off before doing any electrical maintenance to this unit. Should you need to replace/repair any part on this unit, please reference the parts list below for correct part numbers. Be sure water supply is shut off if flow switch is being repaired.

## ROUGH-IN



## REPLACEMENT/REPAIR PARTS

ITEM	PART/GROUP #	DESCRIPTION
1	76-0204	Audio/Visual Device
2	76-0208	(3) Outlet 3/4" Junction Box
3	76-7358	DPDT Flow Switch
4	24-0253-GAL	1-1/4 X 1-1/4 X 1/2" Tee

**WARNING:** Use only genuine Speakman parts when repairing or replacing components.  
To order parts call 1-800-537-2107.

**SPEAKMAN®**