

SPEAKMAN® SEF-1813

Battery Powered 8 in. Deck Plate Faucet with Integrated Eyewash

EYEWASH FEATURES:

- Pull handle activator
- Dedicated water channel for eyewash
- Aerated yellow plastic spray outlets with flip-top dust caps
- 2.9 gpm flow rate at 30 psi.

FAUCET FEATURES:

- 3/8 in. compression connections with male threads for hot and cold inlets
- Sensor battery operated
- 2.2 gpm (8.3 L/min) flow rate
- Includes thermostatic faucet mixing valve

COMPLIANCE:

- ANSI/ISEA Z358.1 certified
- ASME A112.18.1/CSA B125 compliant

OPTIONS: Add suffix to model

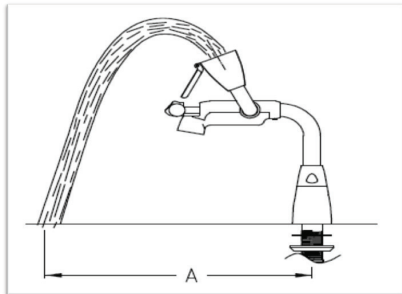
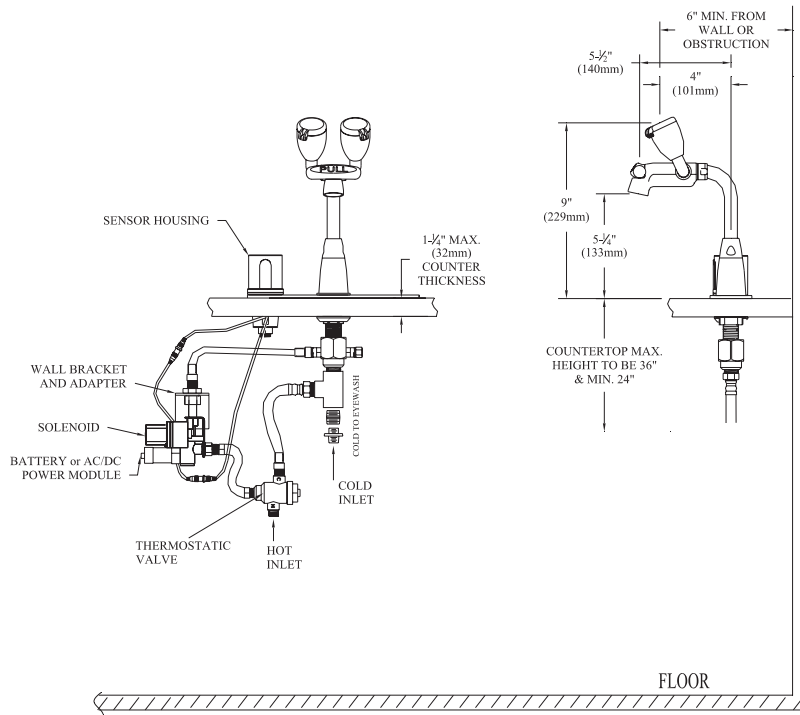
- 8 in. gooseneck spout - 8
- Vandal resistant 0.5 gpm flow control -BO
- Laminar flow outlet 1.5 gpm -LF
- Non-aerated eyewash outlets -NA
- Serrated tip with vacuum breaker -ST
- SE-370 Thermostatic mixing valve -TW

WARRANTY:

- 3 year limited



DIMENSIONS: NOTE: 1. All dimensions are in inches (millimeters) unless otherwise specified and are subject to change without notice.



SEF-1813 Spray Plume Length and Flow

Flowing Pressure	30 psi 2.07 Bar	40 psi 2.76 Bar	50 psi 3.45 Bar	60 psi 4.14 Bar	70 psi 4.83 Bar	80 psi 5.52 Bar
Flow Rate	2.9 gpm 11.09 L/min	3.1 gpm 11.55 L/min	2.9 gpm 11.13 L/min	2.9 gpm 10.98 L/min	2.9 gpm 10.90 L/min	2.9 gpm 10.86 L/min
Eyewash Distance Plume "A"	13.5" 34.29 cm	14.25" 36.2 cm	14.25" 36.2 cm	13.75" 34.93 cm	13.75" 34.93 cm	13.75" 34.93 cm

SEF-1813-8 Spray Plume Length and Flow

Flowing Pressure	30 psi 2.07 Bar	40 psi 2.76 Bar	50 psi 3.45 Bar	60 psi 4.14 Bar	70 psi 4.83 Bar	80 psi 5.52 Bar
Flow Rate	2.9 gpm 11.09 L/min	3.1 gpm 11.55 L/min	2.9 gpm 11.13 L/min	2.9 gpm 10.98 L/min	2.9 gpm 10.90 L/min	2.9 gpm 10.86 L/min
Eyewash Distance Plume "A"	17.0" 43.18 cm	18" 45.72 cm	17.5" 44.45 cm	17.0" 43.18 cm	17.0" 43.18 cm	17.0" 43.18 cm

Architect/Engineer Approval Space:

SPEAKMAN
400 ANCHOR MILL ROAD
NEW CASTLE, DE 19720

P: 800-537-2107
F: 800-977-2747
W: WWW.SPEAKMAN.COM
R: JULY 2017

SPEAKMAN® SEF-1823

AC Powered 8 in. Deck Plate Faucet with Integrated Eyewash

EYEWASH FEATURES:

- Pull handle activator
- Dedicated water channel for eyewash
- Aerated yellow plastic spray outlets with flip-top dust caps
- 2.9 gpm flow rate at 30 psi.

FAUCET FEATURES:

- 3/8 in. compression connections with male threads for hot and cold inlets
- Sensor AC powered
- 2.2 gpm (8.3 L/min) flow rate
- Includes thermostatic faucet mixing valve

COMPLIANCE:

- ANSI/ISEA Z358.1 certified
- ASME A112.18.1/CSA B125 compliant

OPTIONS: Add suffix to model

- 8 in. gooseneck spout
- Vandal resistant 0.5 gpm flow control
- Laminar flow outlet 1.5 gpm
- Non-aerated eyewash outlets
- Serrated tip with vacuum breaker
- SE-370 Thermostatic mixing valve

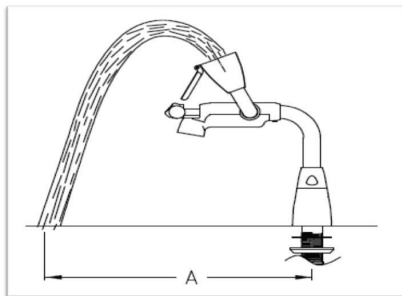
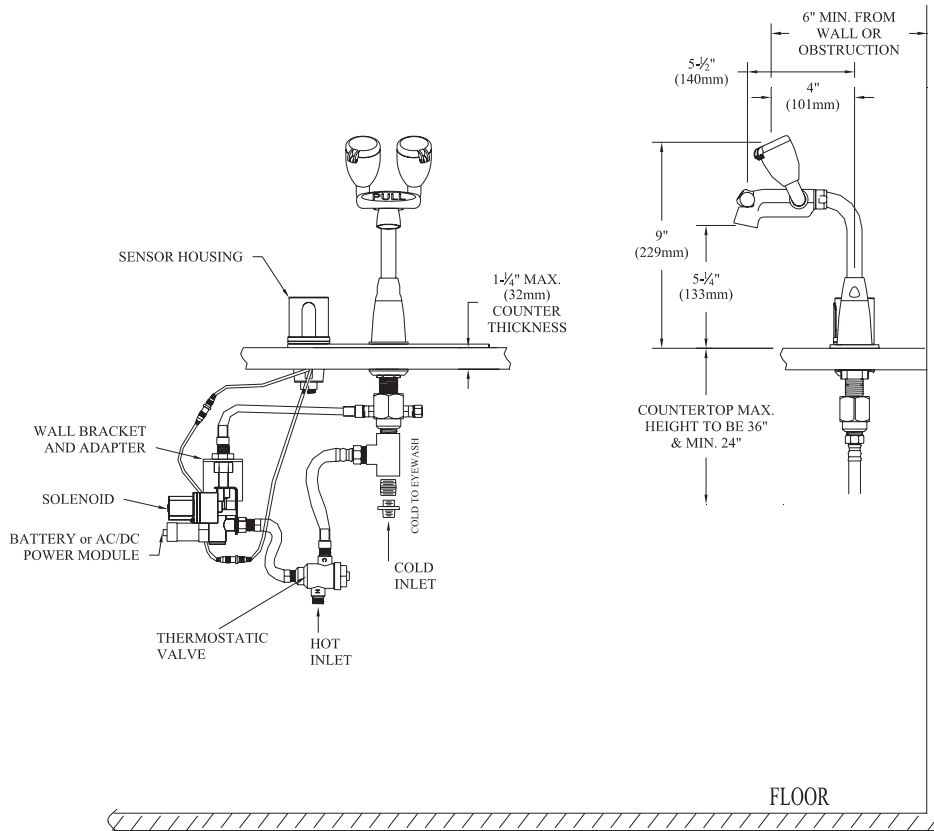
- 8
- BO
- LF
- NA
- ST
- TW

WARRANTY:

- 3 year limited



DIMENSIONS: NOTE: 1. All dimensions are in inches (millimeters) unless otherwise specified and are subject to change without notice.



SEF-1823 Spray Plume Length and Flow

Flowing Pressure	30 psi 2.07 Bar	40 psi 2.76 Bar	50 psi 3.45 Bar	60 psi 4.14 Bar	70 psi 4.83 Bar	80 psi 5.52 Bar
Flow Rate	2.9 gpm 11.09 L/min	3.1 gpm 11.55 L/min	2.9 gpm 11.13 L/min	2.9 gpm 10.98 L/min	2.9 gpm 10.90 L/min	2.9 gpm 10.86 L/min
Eyewash Distance Plume "A"	13.5" 34.29 cm	14.25" 36.2 cm	14.25" 36.2 cm	13.75" 34.93 cm	13.75" 34.93 cm	13.75" 34.93 cm

SEF-1823-8 Spray Plume Length and Flow

Flowing Pressure	30 psi 2.07 Bar	40 psi 2.76 Bar	50 psi 3.45 Bar	60 psi 4.14 Bar	70 psi 4.83 Bar	80 psi 5.52 Bar
Flow Rate	2.9 gpm 11.09 L/min	3.1 gpm 11.55 L/min	2.9 gpm 11.13 L/min	2.9 gpm 10.98 L/min	2.9 gpm 10.90 L/min	2.9 gpm 10.86 L/min
Eyewash Distance Plume "A"	17.0" 43.18 cm	18" 45.72 cm	17.5" 44.45 cm	17.0" 43.18 cm	17.0" 43.18 cm	17.0" 43.18 cm

Architect/Engineer Approval Space:

SPEAKMAN
400 ANCHOR MILL ROAD
NEW CASTLE, DE 19720

P: 800-537-2107
F: 800-977-2747
W: WWW.SPEAKMAN.COM
R: JULY 2017