

SPECIFICATIONS

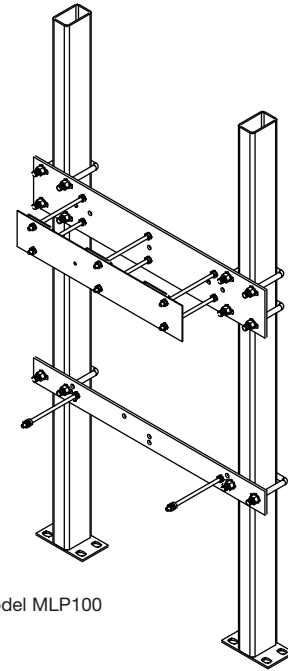
In Wall Carrier Mounting System Model MLP100

GENERAL

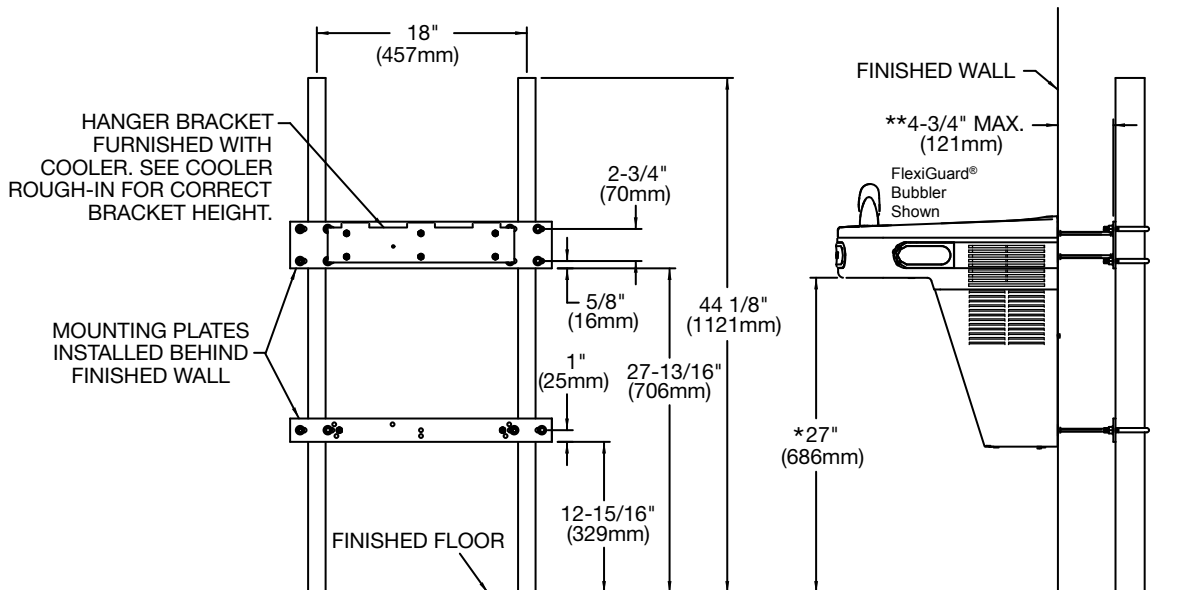
In Wall Carrier Mounting System constructed of heavy gauge steel supports up to 500 lbs. System can be installed in as little as a 2" x 4" wall. All parts painted with protective coating to last.

Universal design enables you to mount EZ, EMABF, VRC, Single HAC, HVR & HTVZ models all on one mounting plate.

Adjustable height setting allows for adult or child installation.



Model MLP100



* ADA REQUIREMENT - REDUCE HEIGHT BY 3" FOR INSTALLATION OF CHILDRENS ADA COOLER.

** WITH STANDARD STUD LENGTH OF 6 INCHES.

NOTE - AFTER INSTALLATION, U-BOLTS AND THREADED RODS MAY NEED TO BE TRIMMED.

In keeping with our policy of continuing product improvement, Elkay reserves the right to change product specifications without notice.

This specification describes an Elkay product with design, quality and functional benefits to the user. When making a comparison of other producers' offerings, be certain these features are not overlooked.

Elkay

www.elkay.com
www.halseytaylor.com

2222 Camden Court
Oak Brook, IL 60523

Printed in U.S.A.

(6/16)

16-33