

Mounting Plate Instructions

Model MPW200

INSTALLER

To assure you install this model easily and correctly, PLEASE READ THESE SIMPLE INSTRUCTIONS BEFORE STARTING THE INSTALLATION. CHECK YOUR INSTALLATION FOR COMPLIANCE WITH PLUMBING, ELECTRICAL AND OTHER APPLICABLE CODES. After installation, keep these instructions for future reference.

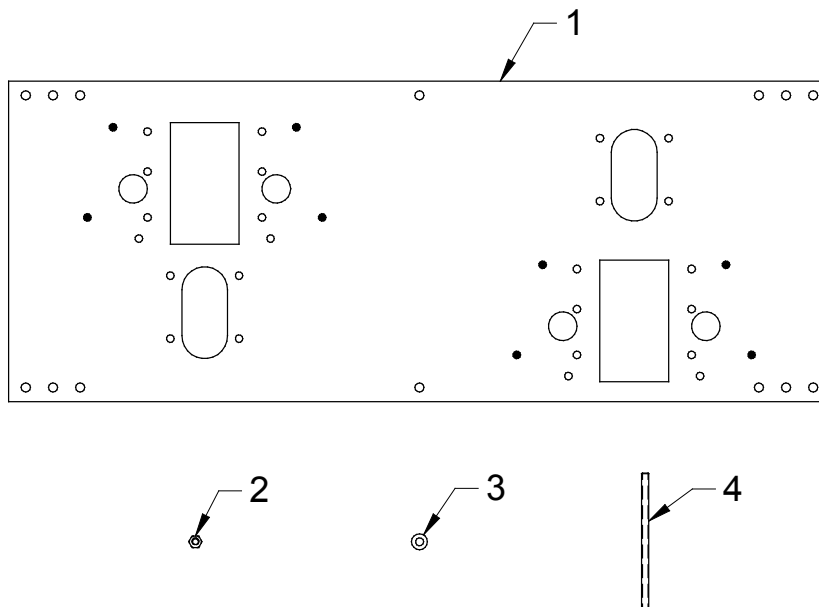
IMPORTANT

ALL SERVICE TO BE PERFORMED BY AN AUTHORIZED SERVICE PERSON

Parts List

Refer to the illustration to make sure you receive all mounting plate parts. If any parts are missing, please contact our Customer Service at 1.800.476.4106.

ITEM NO.	QTY.	PART NO.	DESCRIPTION
1	1	28793C	Mounting Plate
2	32	70020C	Hex Nut 5/16-18
3	36	75541C	Flat Washer .339/.359ID
4	8	75708C	Threaded Rod 5/16-18 x 6 In.



MPW200

This Mounting Plate System is designed for use with the following models:
Bi-Level HDFS Series, Bi-Level HRF Series, Bi-Level SoftSides®,
Bi-Level OVL II™ Series and Bi-Level SwirlFlo®.

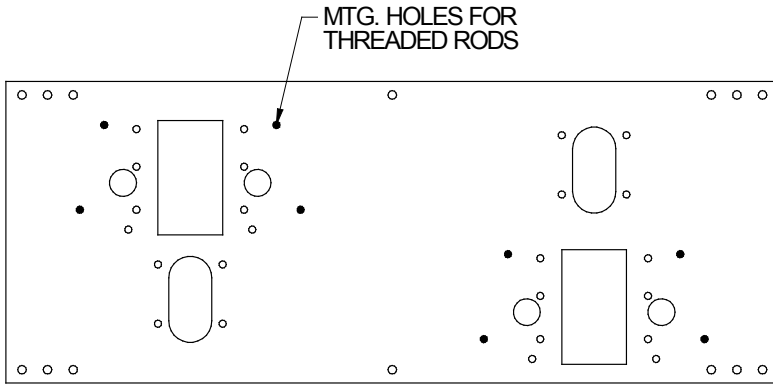


Fig. 1
Standard Configuration

HRF Series, SoftSides®, HDFS Series

Note: Standard configuration (High/Low) shown in (Fig. 1). For reverse configuration below, mounting plate can be flipped to mount units in the (Low/High) configuration.

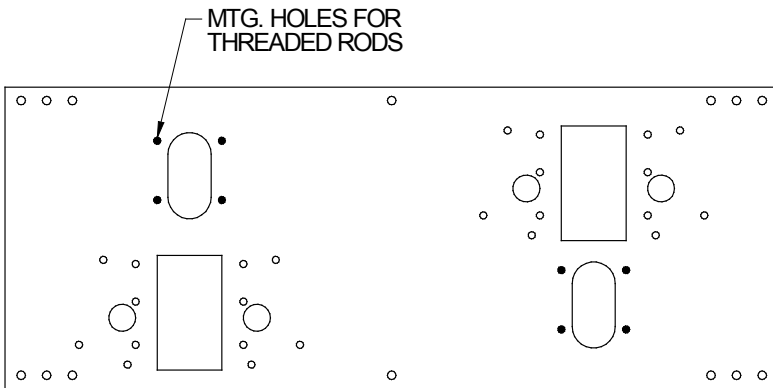
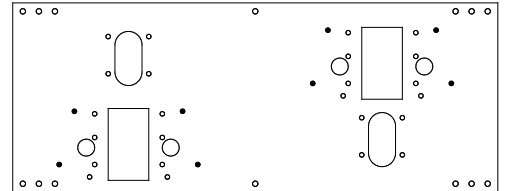


Fig. 2
Standard Configuration

OVL II™ Series

Note: Standard configuration (High/Low) shown in (Fig. 2). For reverse configuration below, mounting plate can be flipped to mount units in the (Low/High) configuration.

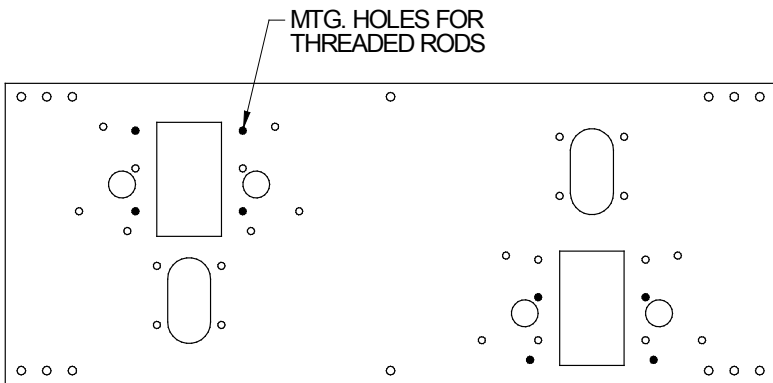
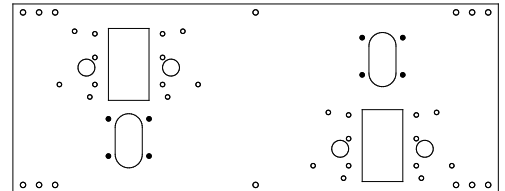
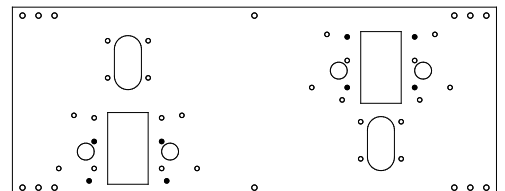


Fig. 3
Standard Configuration

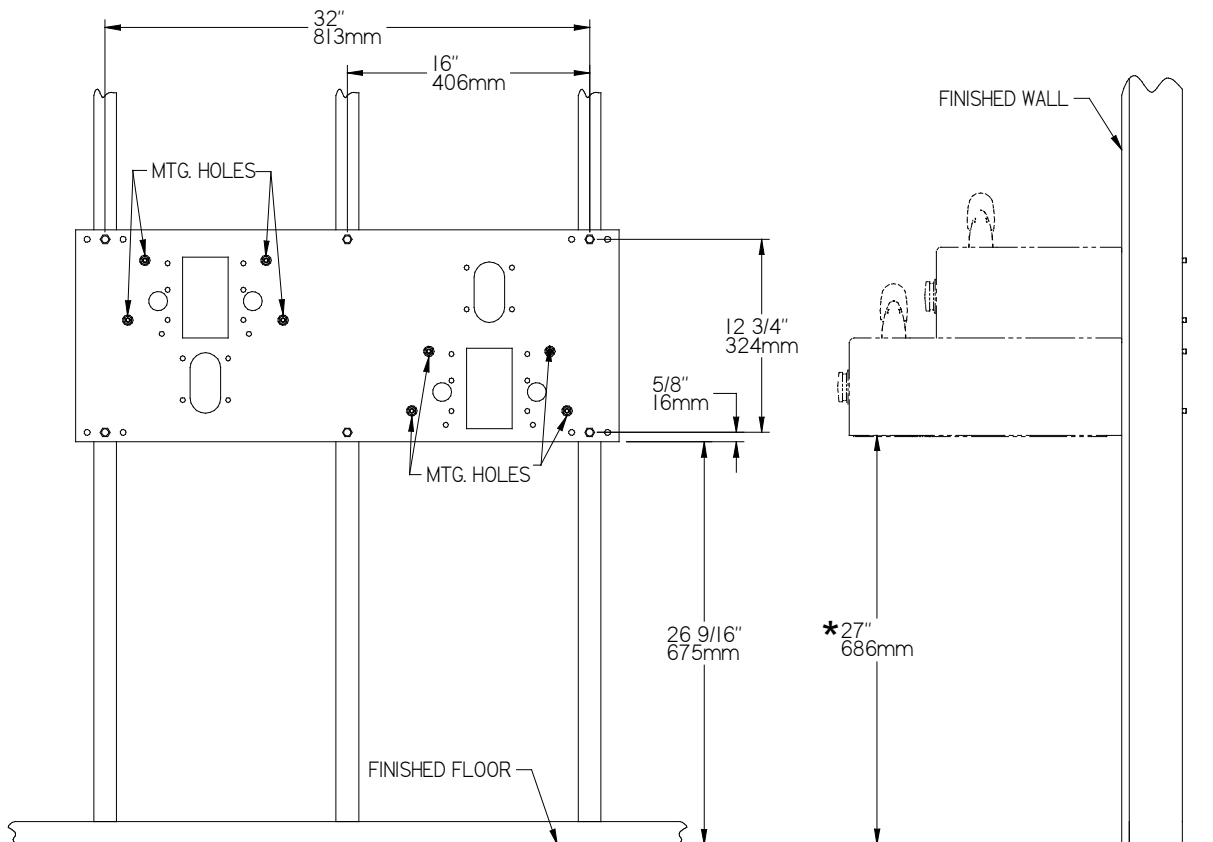
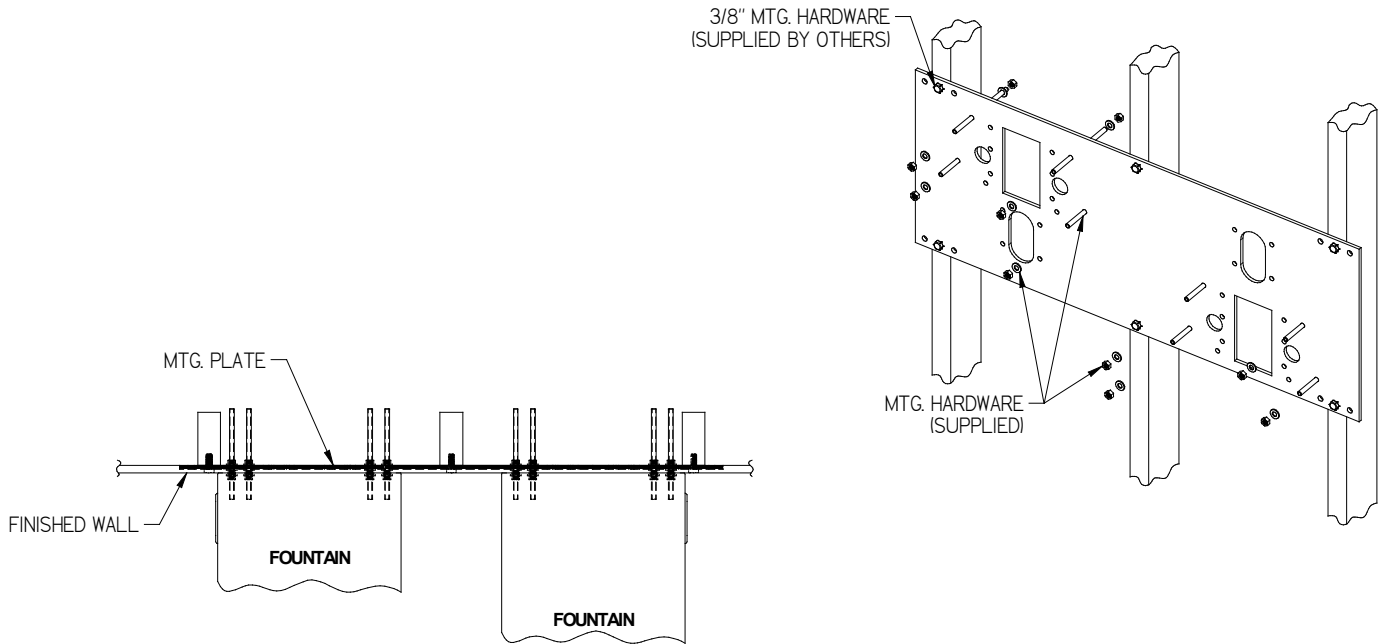
SwirlFlo® Series

Note: Standard configuration (High/Low) shown in (Fig 3). For reverse configuration below, mounting plate can be flipped to mount units in the (Low/High) configuration.



HDFF Series/HRF Series/SoftSides®

When mounting plate directly to wall studs please refer to the diagrams shown below. For electrical, waste, and water supply locations please refer to the Installation/Owners Manual for the specific unit.

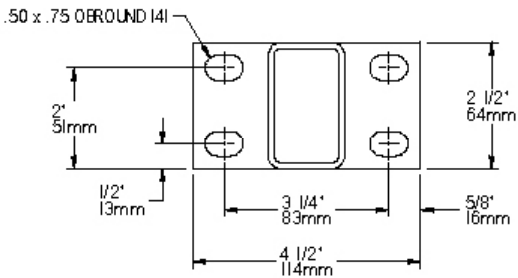


*** ADA REQUIREMENT
NOTE - AFTER INSTALLATION, THREADED RODS MAY NEED TO BE TRIMMED.**

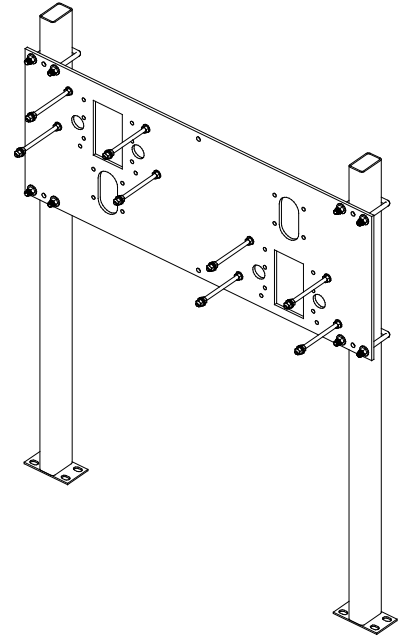
MPW200

HDFF Series/HRF Series/SoftSides®

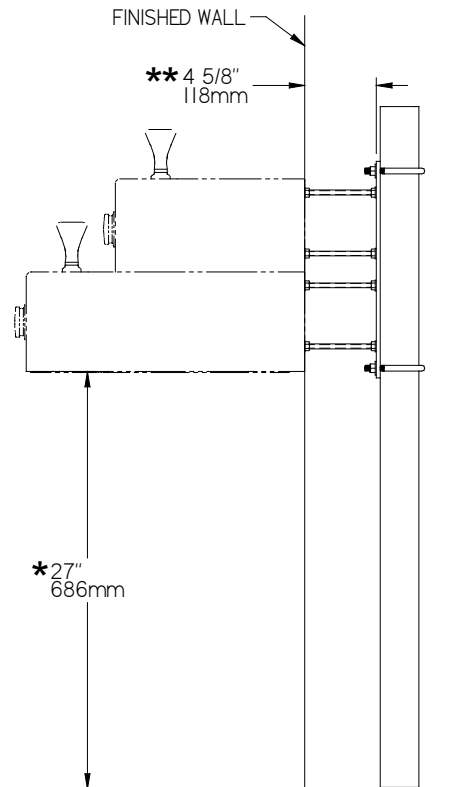
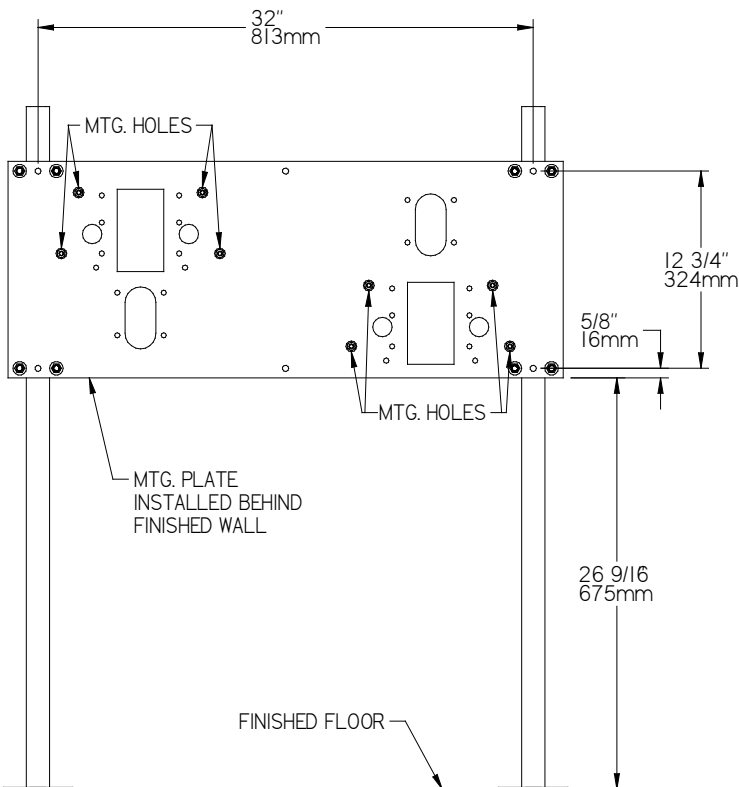
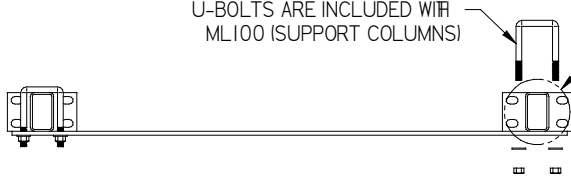
When using mounting plate with ML100 (Support Columns) please refer to the diagrams shown below. For electrical, waste, and water supply locations please refer to the Installation/Owners Manual for the specific unit.



DETAIL A



U-BOLTS ARE INCLUDED WITH ML100 (SUPPORT COLUMNS) SEE DETAIL A



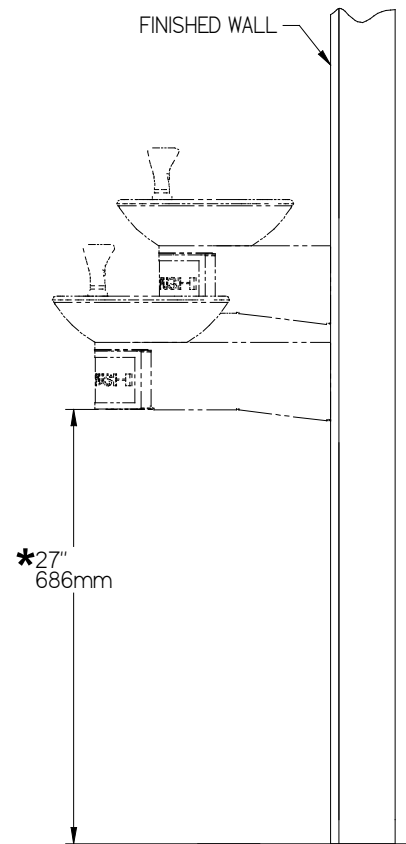
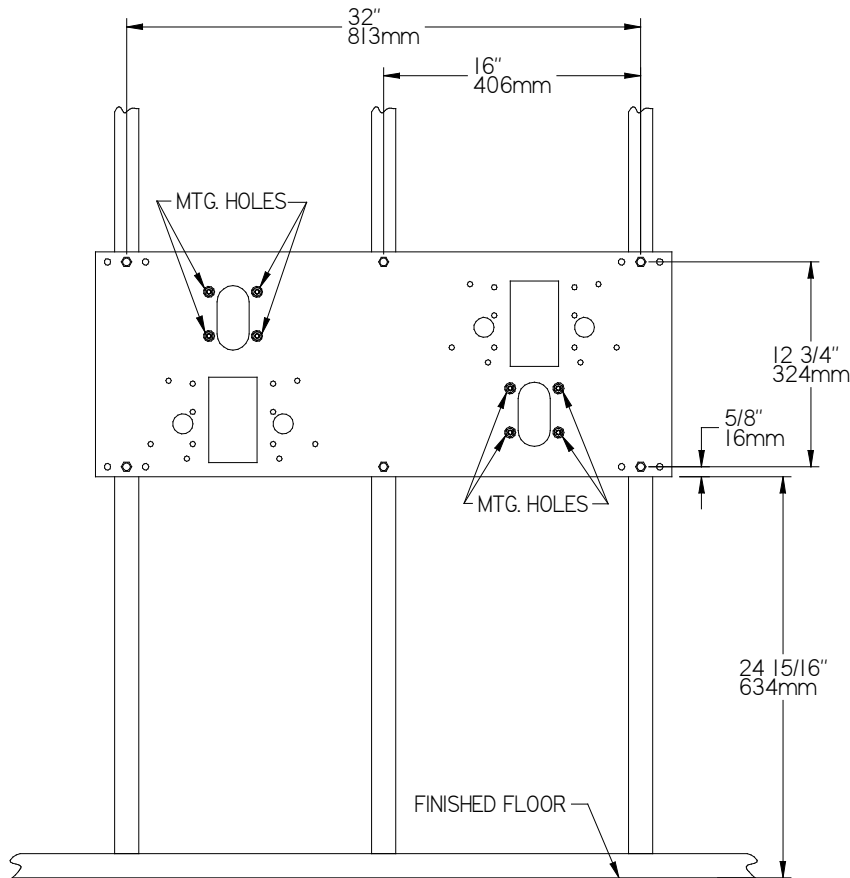
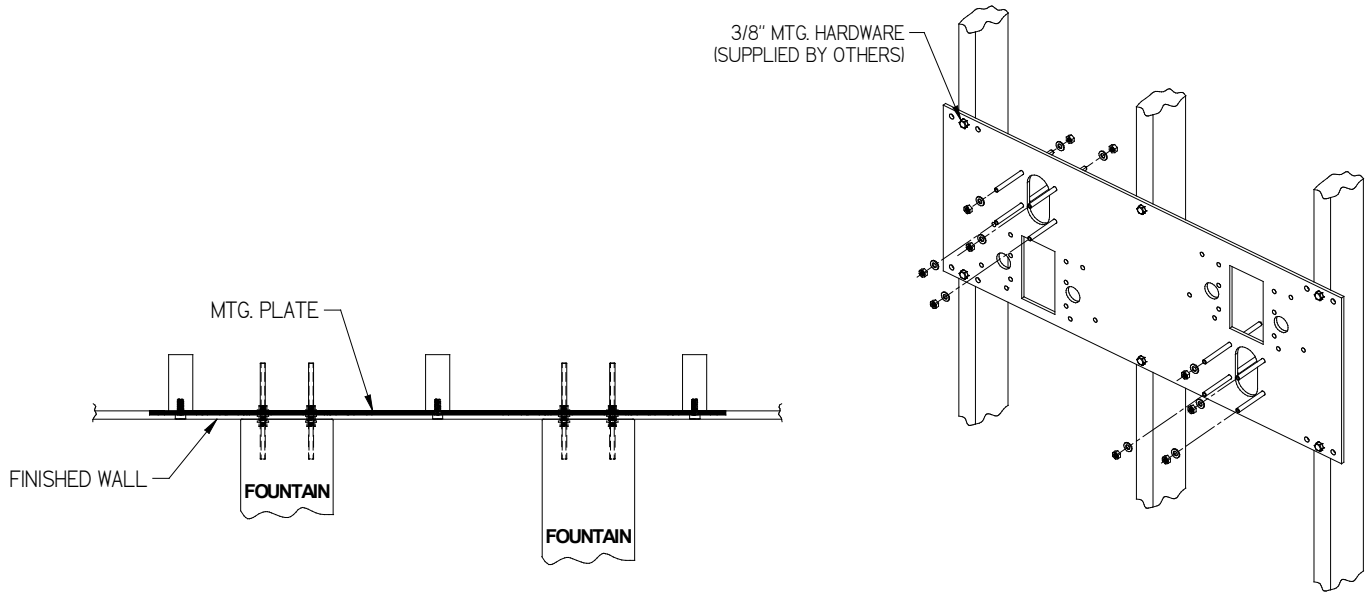
* ADA REQUIREMENT

** WITH STANDARD STUD LENGTH OF 6 INCHES.

NOTE - AFTER INSTALLATION, U-BOLTS AND THREADED RODS MAY NEED TO BE TRIMMED.

OVL II™ Series

When mounting plate directly to wall studs please refer to the diagrams shown below. For electrical, waste, and water supply locations please refer to the Installation/Owners Manual for the specific unit.

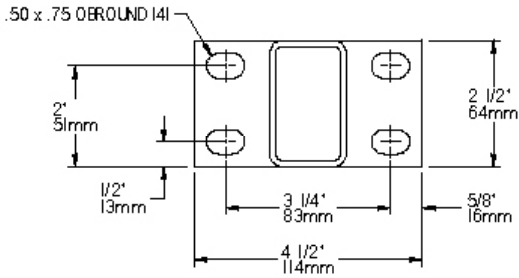


* ADA REQUIREMENT
NOTE - AFTER INSTALLATION, THREADED RODS MAY NEED TO BE TRIMMED.

MPW200

OVL II™ Series

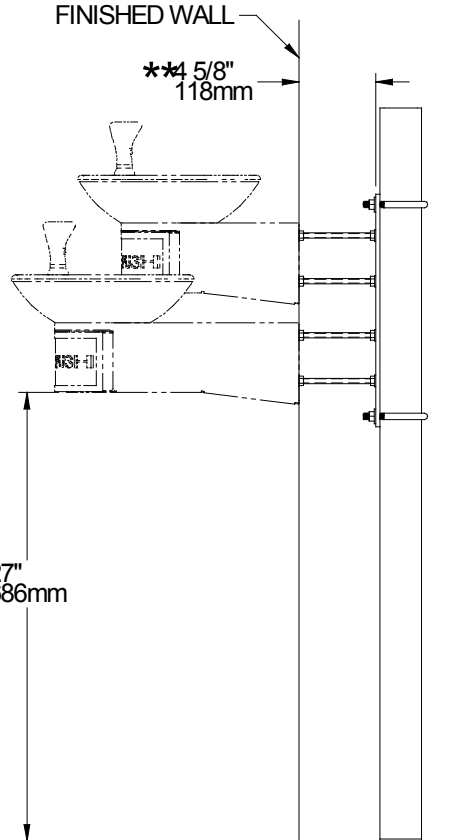
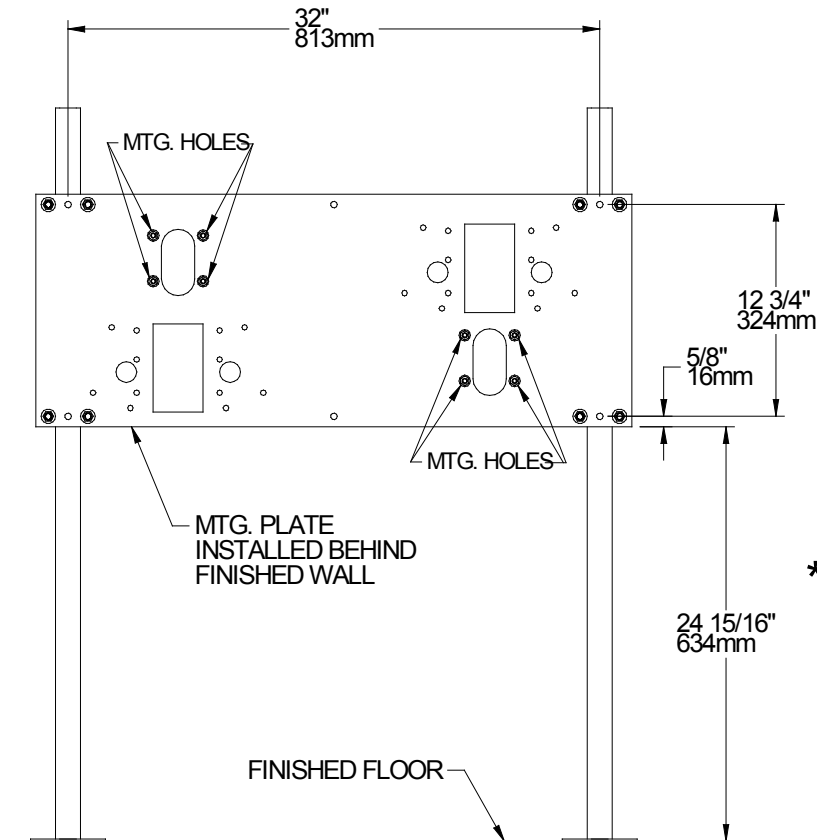
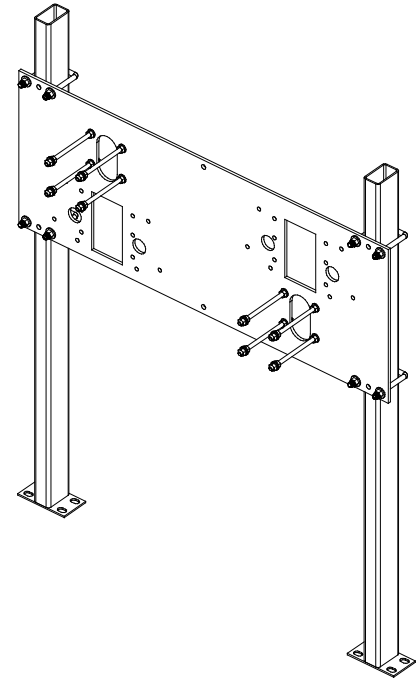
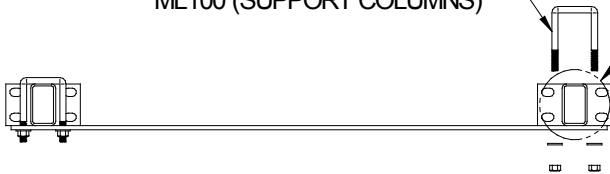
When using mounting plate with ML100 (Support Columns) please refer to the diagrams shown below. For electrical, waste, and water supply locations please refer to the Installation/Owners Manual for the specific unit.



DETAIL A

U-BOLTS ARE INCLUDED WITH ML100 (SUPPORT COLUMNS)

SEE DETAIL A



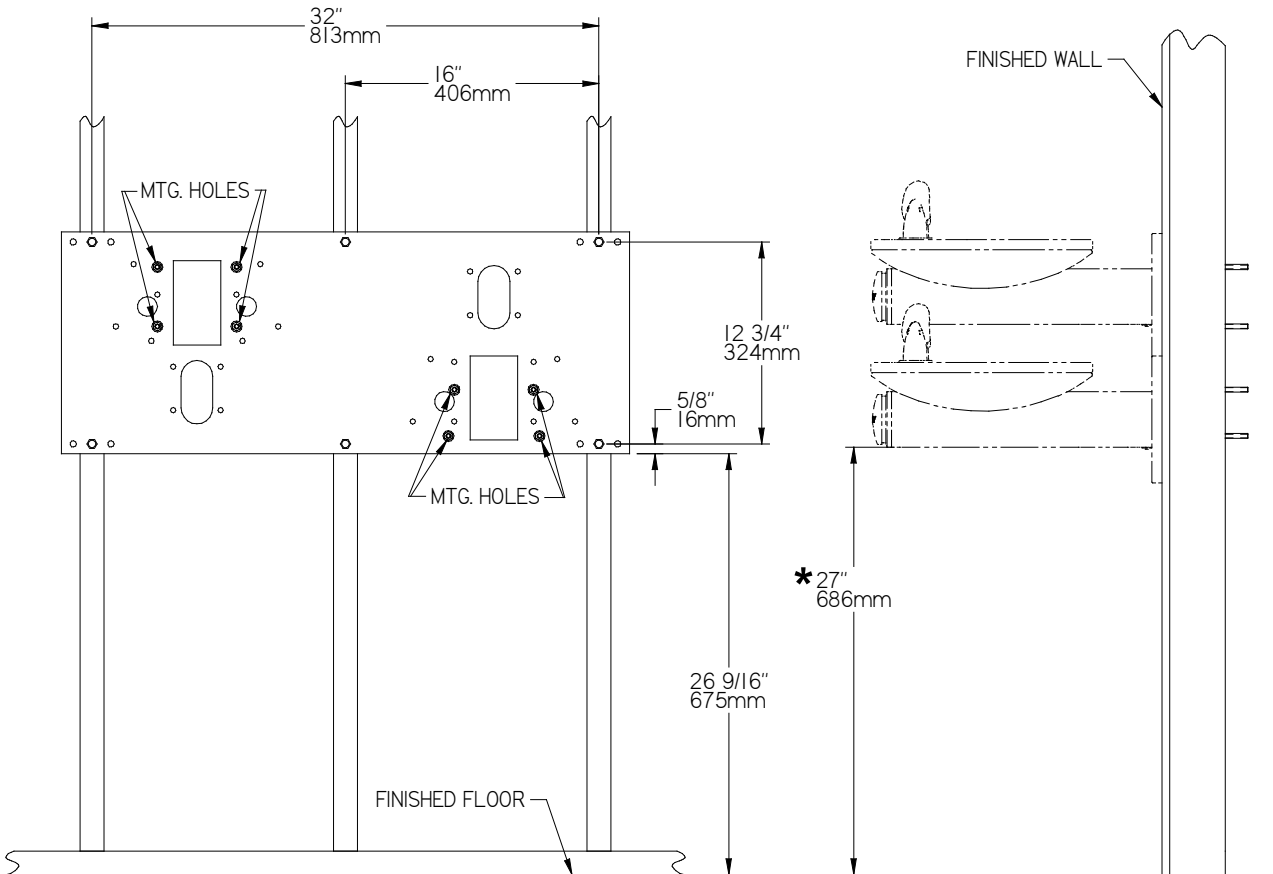
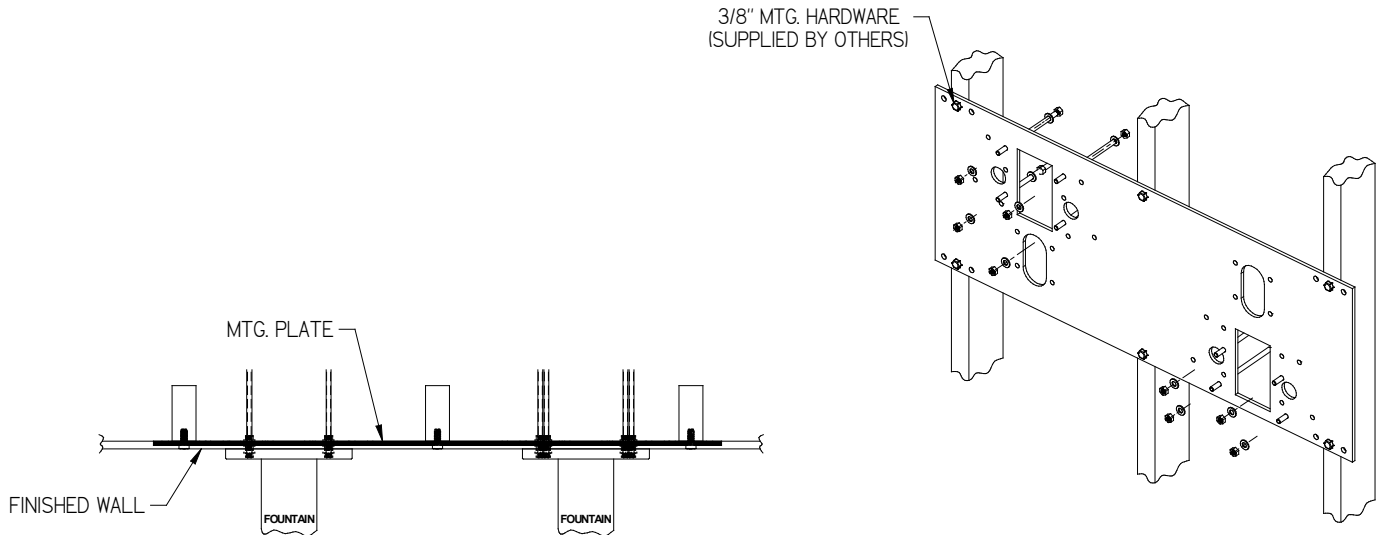
* ADA REQUIREMENT

** WITH STANDARD STUD LENGTH OF 6 INCHES.

NOTE - AFTER INSTALLATION, U-BOLTS AND THREADED RODS MAY NEED TO BE TRIMMED.

SwirFlo® Series

When mounting plate directly to wall studs please refer to the diagrams shown below. For electrical, waste, and water supply locations please refer to the Installation/Owners Manual for the specific unit.

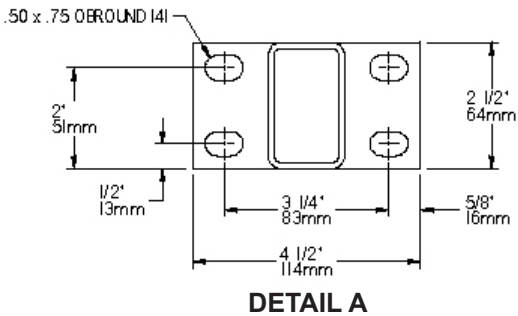


* ADA REQUIREMENT
NOTE - AFTER INSTALLATION, THREADED RODS MAY NEED TO BE TRIMMED.

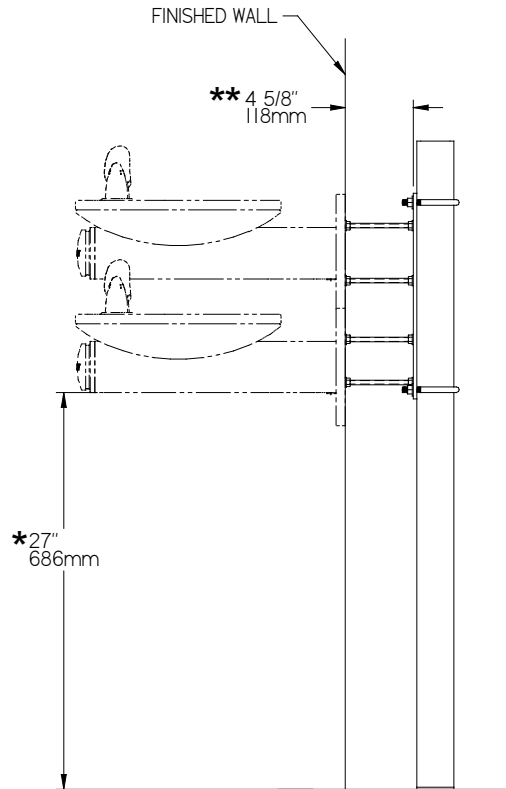
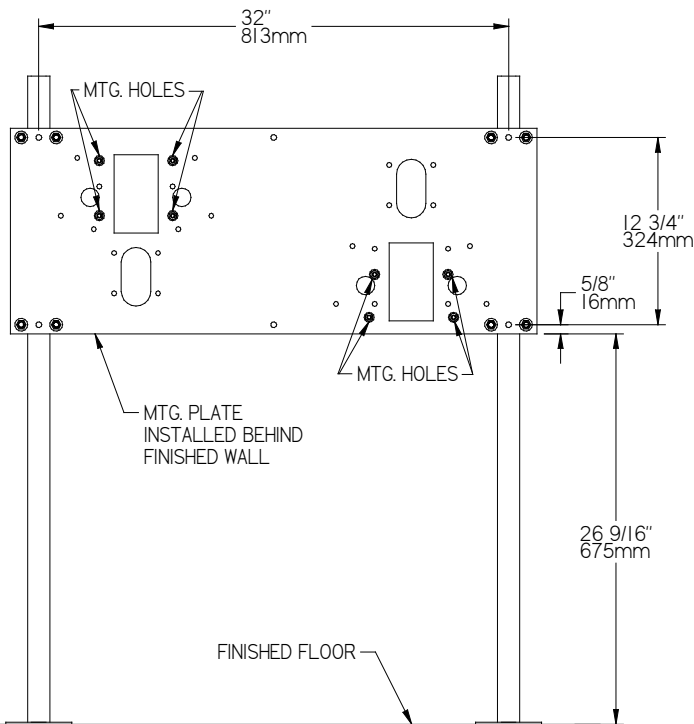
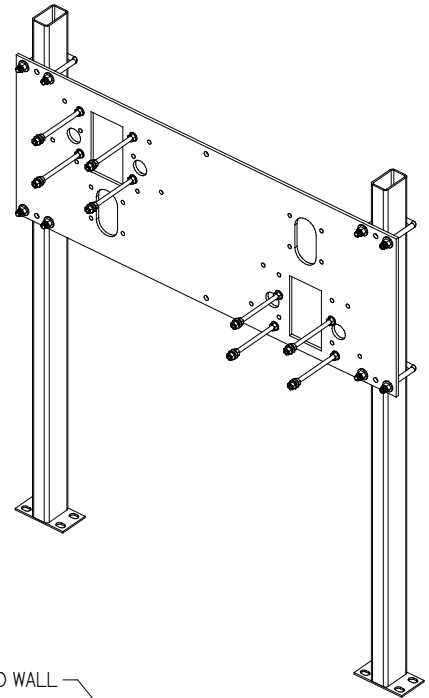
MPW200

SwirFlo® Series

When using mounting plate with ML100 (Support Columns) please refer to the diagrams shown below. For electrical, waste, and water supply locations please refer to the Installation/Owners Manual for the specific unit.



U-BOLTS ARE INCLUDED WITH ML100 (SUPPORT COLUMNS) SEE DETAIL A



* ADA REQUIREMENT

** WITH STANDARD STUD LENGTH OF 6 INCHES.

NOTE - AFTER INSTALLATION, U-BOLTS AND THREADED RODS MAY NEED TO BE TRIMMED.

For Technical Service, please contact us at 1.800.476.4106