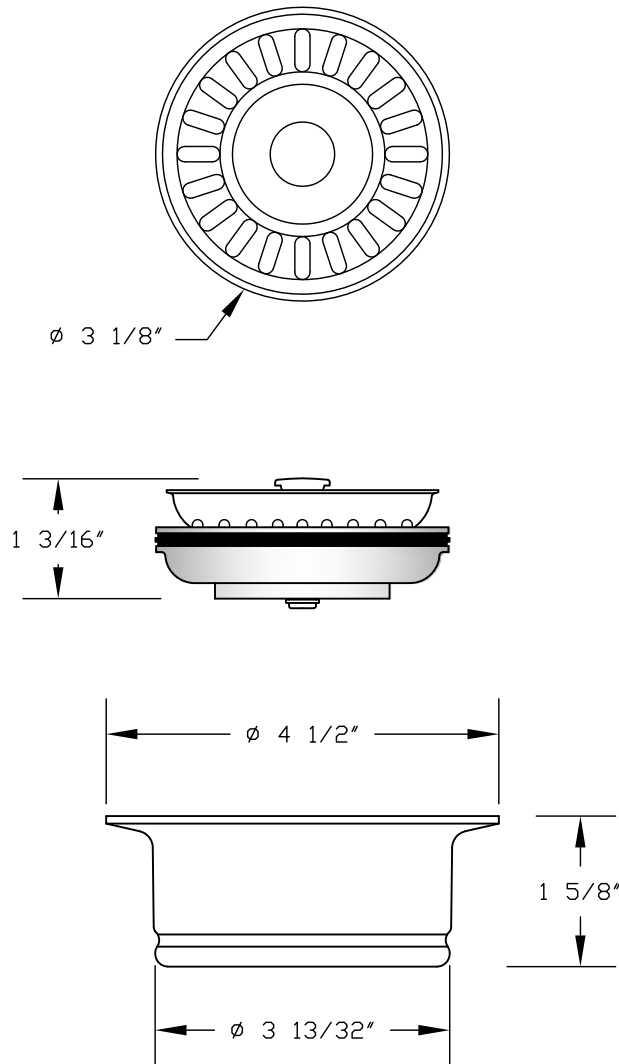


MT200EV

KITCHEN WASTE DISPOSER FLANGE WITH BASKET STRAINER

SPECIFICATION SHEET



THIS WASTE DISPOSER FLANGE AND BASKET STRAINER OFFERS THE FOLLOWING FEATURES & BENEFITS:

USE WITH CONTINUOUS FEED WASTE DISPOSERS THAT HAVE A $3 \frac{3}{8}"$ INSIDE DIAMETER

FITS EVOLUTION AND ALL INSINKERATOR DISPOSERS INCLUDING BADGER

ALSO FITS KENMORE, MAYTAG, ACE, KITCHEN AID AND WHIRLPOOL DISPOSERS

SPRING LOADED BALL IN METAL POST ASSURES CONTINUOUS SMOOTH OPERATION

ACCEPTS INSINKERATOR SILENCER GASKET

FIT SINKS UP TO $\frac{5}{8}"$ THICK. USE MT202 FOR FIRECLAY AND THICKER SINKS.

FINISH CARE & MAINTENANCE

NEVER USE ANY HARSH ALKALI, ACID BASED DETERGENTS OR CLEANERS SUCH AS SOFT SCRUB[®], SCRUBBING BUBBLES[®] OR COMET[®] TO CLEAN. DO NOT USE BRILLO[®] AND SCOTCH BRITE[®] PADS. THESE WILL ALL HARM THE FINISH. TO CLEAN, USE ONLY A DAMP SOFT CLOTH AND WIPE USING A SOFT CLOTH. STANDARD WINDEX CAN ALSO BE USED SPARINGLY. TO MAINTAIN THE FINISH, WIPE WITH A SOFT DRY CLOTH. AN OCCASIONAL COAT OF PURE CARNUBA WAX WITHOUT CLEANERS WILL HELP PROTECT THE FINISH.

WARRANTY

ONE YEAR WARRANTY ON PLATED FINISHES, 90 DAY WARRANTY ON DRB, EB, MHB, TB AND WCP AND LIFETIME ON PVD PROVIDED PROPER CARE HAS BEEN USED. ONE YEAR WARRANTY ON ALL PARTS. APPLIES TO ORIGINAL PURCHASER. CLAIMS REQUIRE PROOF OF PURCHASE.