

CAST IRON WAFER STYLE DOUBLE DOOR CHECK VALVE

The FNW figure 682 silent check prevents flow reversal in pipelines, allowing flow in only the indicated direction. The spring backing the discs close the valve when flow ceases prior to pressure reversal, therefore reducing slam or water hammer.

Features:

- 200 PSI Non-Shock
- Temperature Range -4°F to 176°F (-20°C to 80°C)
- Wafer Style
- Non-Slam (Spring Actuated) Check for Water or Clean Fluids
- Cast Iron Body & Stainless Steel Internal Components
- Drop Tight Resilient Seat
- Vertical (with flow up) or Horizontal Installation*
- Epoxy Coated Body

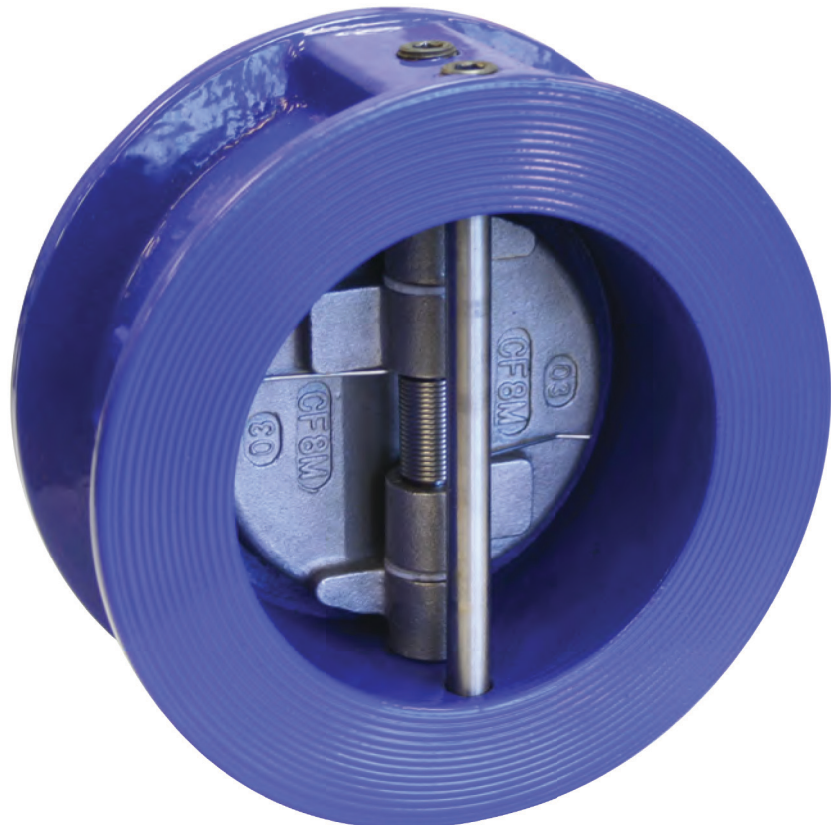
* When installed in the horizontal position, the door hinge shaft must be in the vertical position for proper operation.

Use Flat-Faced Metal Flanges only.

Not for Steam Service

Standards:

- Inspection & Test: API 598
- Flange Drilling: ANSI B16.1 Class 125
- Flange Face Finish: MSS SP-6
- Markings: MSS SP-25



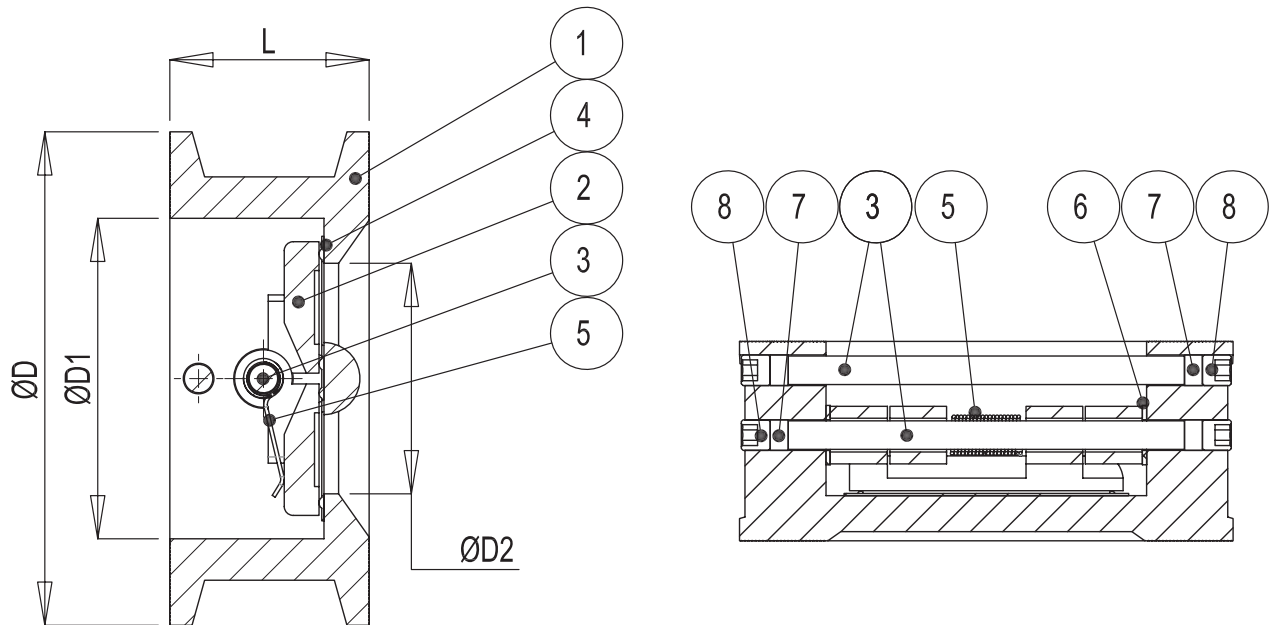
Cv & Weights

Size	Cv	Wt. (Lbs)
2	22	2.87
2-1/2	33	4.63
3	52	6.39
4	87	9.48
5	133	14.11
6	198	20.06
8	335	33.51
10	562	58.42
12	781	81.57

Figure Number Matrix

FNW 682 <u>Size</u>		
<u>SIZE CODE</u>		
2 = K	4 = P	8 = X
2-1/2 = L	5 = S	10 = 10
3 = M	6 = U	12 = 12

CAST IRON WAFER STYLE DOUBLE DOOR CHECK VALVE



Dimensions (Inches)

Size	ØD	ØD1	ØD2	L
2	4.13	2.36	1.50	2.13
2-1/2	4.88	2.87	1.89	2.13
3	5.39	3.50	2.52	2.24
4	6.97	4.49	3.43	2.52
5	7.76	5.51	4.02	2.76
6	8.74	6.61	5.12	2.99
8	10.98	8.62	6.97	3.74
10	13.39	10.75	8.50	4.25
12	16.14	12.76	10.24	5.59

Standard Materials

Ref. No.	Description	Material	Qty	Remarks
1	Body	Cast Iron ASTM A126 Class B	1	
2	Disc (Door)	Stainless Steel ASTM A351 CF8M	2	
3	Shaft	Stainless Steel SS316	2	
4	Seat	NBR	1	Bonded to Body
5	Spring	Stainless Steel SS316	1 - 2	Qty 2 on 6 to 12 Inch Valves
6	Washer	PTFE	2 - 11	Varies According to Size
7	Shaft Seal	NBR	4	
8	Hex Nut	Stainless Steel SS304	4	
9	Eye Bolt	Steel ASTM A193 Grade B7	1	8 Inch and Larger