



100 Royal Way
Temple, GA 30179
Phone (800) 520-6593

SPECIFICATION DATA SHEET

Date: 10/1/2007

MODEL No. 308-S Top Takeoff

DIMENSIONAL DATA

<u>A</u>	<u>B</u>	<u>C</u>
4	4	4
5	5	5
6	6	6
7	7	7
8	8	8

FABRICATION DATA

Material:

ASTM-A653 CS Type B Galvanized Steel,
G-30 Coating LFQ Chemical Treatment

Gauges:

5" through 8" - 30GA

Assembly:

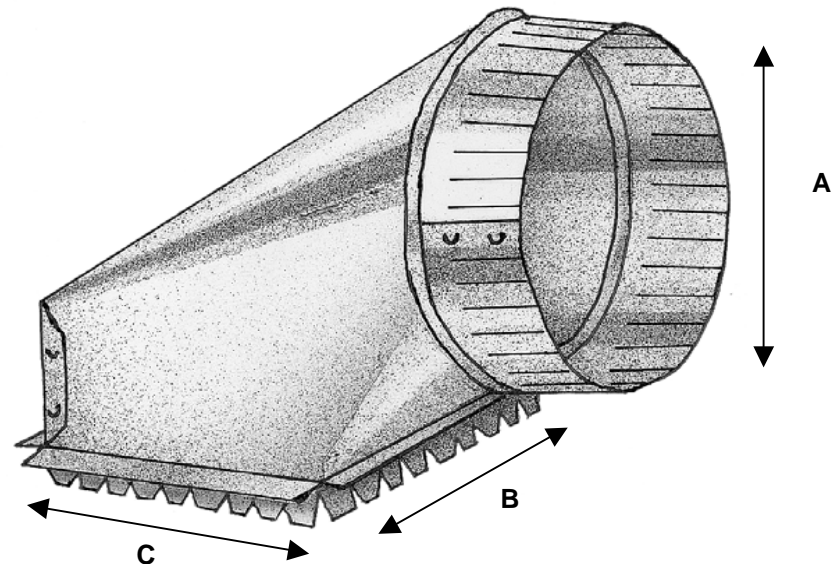
Assembled with 1/8" x 5/32" Zinc coated Steel Rivets.
Tabs are 3/4" long can be used with 1" -1 1/2" duct board
or metal. The collar is attached by using a colatch bead
system.

OPTIONS

308SG: with gasket

308SDDB: for 1 1/2" ductboard w/ damper

308SDG: with gasket & damper



Superior Quality, Superior Service, Superior Value.. that's the Royal Advantage