

PP989DN

GE Profile™ 30" Downdraft Electric Cooktop

Dimensions and Installation Information

KW Rating	
240V	9.1
208V	6.9

Wall Installation: Wall installations require 25" countertop depth. When cabinet is flush against the wall, the fan housing can be rotated to the horizontal position for direct venting through rear wall. Make a countertop cutout in the range cabinet according to unit dimensions and installation type. Duct hole is positioned in back of cabinet for through-the-wall ducting. Requires special offset adapter JXRW89.

through rear wall. Make a countertop cutout in the range cabinet according to unit dimensions and installation type. Duct hole is positioned in back of cabinet for through-the-wall ducting. Requires special offset adapter JXRW89.

Peninsula or Island Installation: For peninsula/islands a minimum 26" countertop depth is suggested. Blower should be in vertical position. Island or peninsula cabinets may require adjustment in cutout depth and/or location within the width dimensions. Duct hole is positioned in bottom of cabinet for island or peninsula installation.

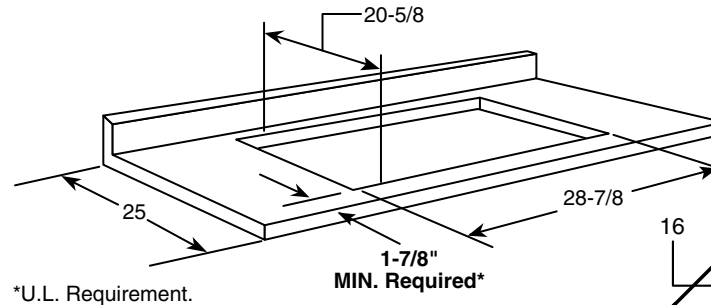
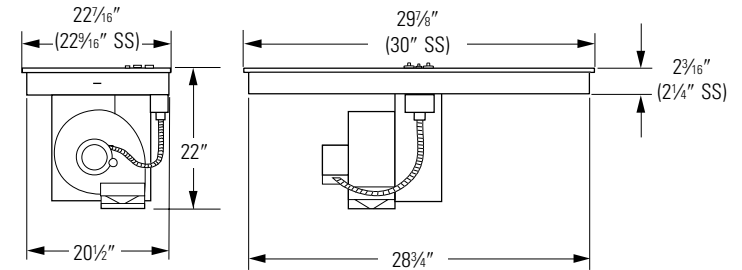
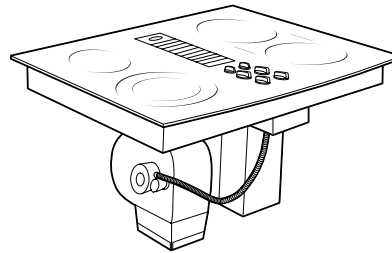
Slab Installation: For peninsula or island installation and rear wall ducting, **6" PVC duct or locally approved piping should be used if installing under a poured concrete slab.**

Receptacle Location: Install an approved junction box within shaded area shown in diagram. Junction box must be at least 10-1/2" below top of cabinet.

Installation Information: Before installing, consult installation instructions, packed with product, for current dimensional data. **Note:** Electrical cable is not supplied with unit.

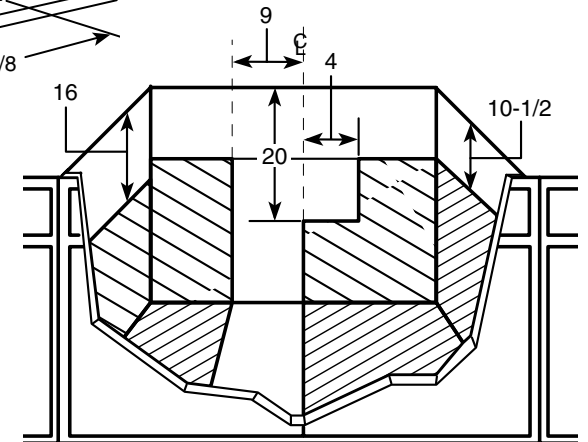
These cooktops are approved for indoor use only.

For answers to your Monogram,® GE Profile™ or GE® appliance questions, visit our website at ge.com or call GE Answer Center® service, 800.626.2000.



*U.L. Requirement.

1-7/8" MIN. Required*



*Note: A 6" minimum spacing to adjacent side wall is required. Dimension and installation information are shown in inches.



Specification Created 7/08

220977

PP989DN

GE Profile™ 30" Downdraft Electric Cooktop

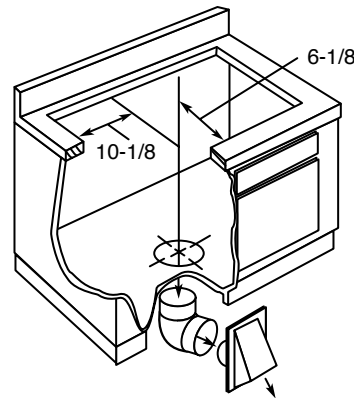
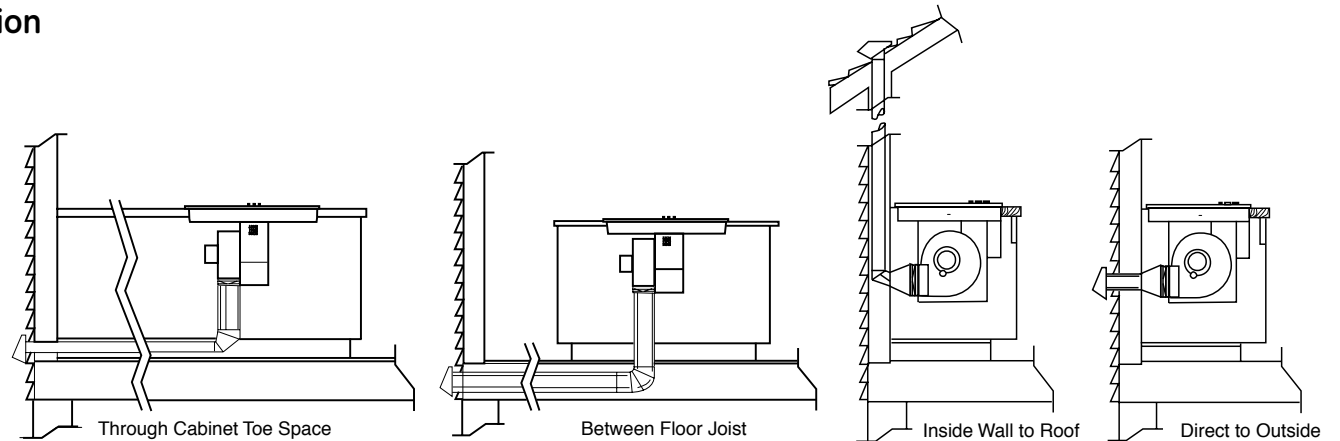
Dimensions and Installation Information

Installing the Ductwork: Use galvanized or aluminum duct in 6" round or 3-1/4" x 10" size, or combination of both. **PVC duct or locally approved piping should be used if installing under a poured concrete slab.** Local building code must be followed in specifying type and schedule of all duct used.

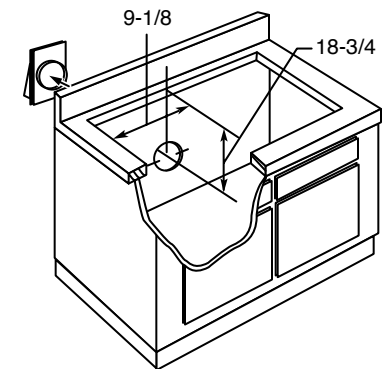
Note: Ductwork must be vented to outside. Do not vent into a wall, ceiling, crawlspace, attic or any concealed space. Always use an appropriate roof or wall cap with damper.

Laundry-type wall caps should never be used. For maximum efficiency use the shortest and straightest duct run possible, with as few fittings as possible.

For satisfactory performance the duct run should not exceed 100 feet equivalent length. Refer to the table of equivalent lengths (shown in installation instructions) for various duct configurations.



Downward Venting



Rear Wall Venting

For answers to your Monogram®, GE Profile™ or GE® appliance questions, visit our website at ge.com or call GE Answer Center® service, 800.626.2000.

Dimension and installation information are shown in inches.



imagination at work



Listed by
Underwriters
Laboratories

Specification Created 7/08

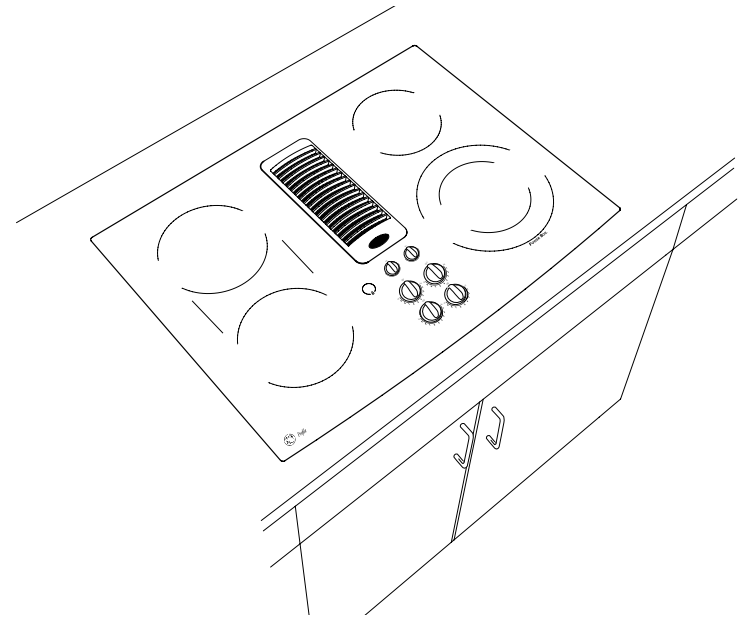
220977

PP989DN

GE Profile™ 30" Downdraft Electric Cooktop

Features and Benefits

- Downdraft Exhaust - Powerful exhaust system effectively pulls smoke and steam out of the kitchen
- Ceramic Glass Cooktop - A smooth cooktop surface makes cleaning quick and easy
- Ribbon Heating Elements - Provide powerful heat beneath a smooth glass surface to ensure even heat and fast warm-up times
- Bridge Element - Combines three cooktop elements into one large cooking area, ideal for oversized cooking pans
- 6"/9" PowerBoil™ Element - Accommodates various-size pots or pans and 3,000 watts of power speeds the boiling process
- Three Speed Downdraft Fan - Powerful three speed exhaust system effectively pulls smoke and vapors out of the kitchen
- Frameless Design - A smooth and seamless cooktop surface makes cleaning quick and easy
- Model PP989TNWW – True white
- Model PP989DNBB – Black on black



imagination at work

Specification Created 7/08

220977