

▶ FEATURES

- + Ships with MERV 13 filter
- + Can use MERV 11 filter with simple media change
- + Minimal maintenance required — simply replace media annually
- + Made of corrosion-resistant heavy gauge pre-painted steel
- + Proprietary door design and Self-Seal™ media virtually eliminates air bypass, delivering MERV performance as rated
- + UL classified cabinet and media
- + Load rated up to 400 lbs.
- + 5-year warranty on cabinet from date of installation



▶ BENEFITS

- + Offers equipment protection from dust buildup
- + Assured equipment performance
- + Media revenue — HVAC channel only
- + Superior performance over one inch panel filters and four inch cartridge filters

PRODUCT SPECIFICATIONS

		MERV 13				MERV 11						
		Replacement Media	Resistance @ Airflow Volume (inches w.c. @CFM)		Shipping Weight (full carton)	Filtering Media Area	Replacement Media	Resistance @ Airflow Volume (inches w.c. @CFM)		Shipping Weight (full carton)	Filtering Media Area	
Model 2210	20 x 25	18 lbs.	Model 213	.15"@1200 .23"@1600		25 lbs.	28 sq. ft.	Model 210	.04"@600 .13"@1400		25 lbs.	28 sq. ft.
				.19"@1400 .27"@1800					.06"@800 .16"@1600			
				.31"@2000					.08"@1000 .19"@1800			
Model 2310	20 x 20	15 lbs.	Model 313	.09"@600 .17"@1000		19 lbs.	21.3 sq. ft.	Model 310	.06"@600 .14"@1000		19 lbs.	21.3 sq. ft.
				.13"@800 .23"@1200					.10"@800 .19"@1200			
Model 2410	16 x 25	17 lbs.	Model 413	.17"@1200 .26"@1600		22 lbs.	24.5 sq. ft.	Model 410	.05"@600 .15"@1400		22 lbs.	24.5 sq. ft.
				.22"@1400 .31"@1800					.09"@1000 .22"@1800			
				.37"@2000					.12"@1200 .27"@2000			

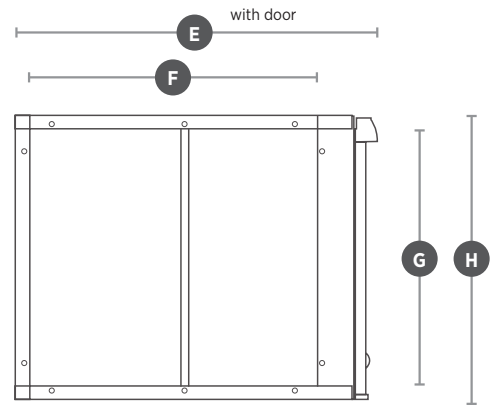
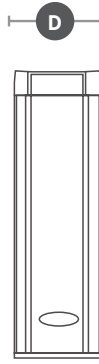
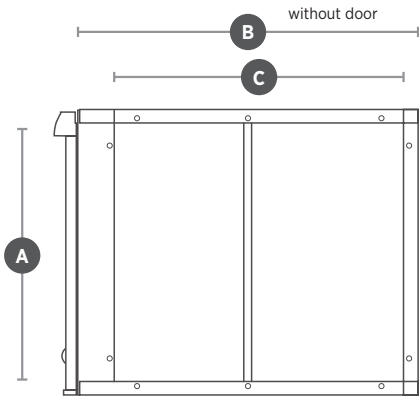
REMOVAL EFFICIENCY (Based on Particle Size)

	0.3-1.0 Microns	1.0-3.0 Microns	3.0-10 Microns
MERV 13	63%	88%	93%
MERV 11	37%	67%	92%

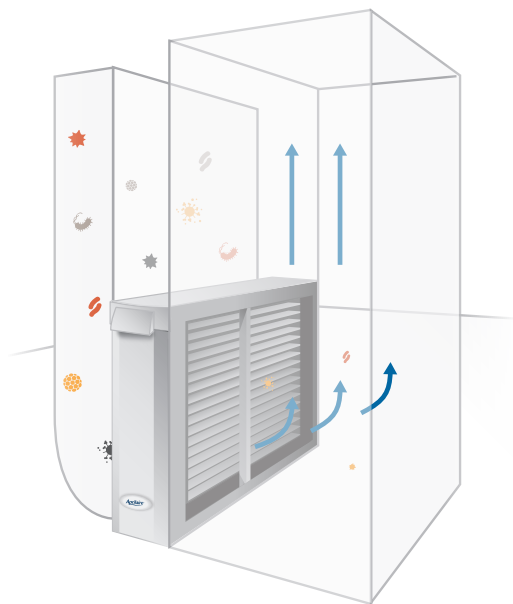
Inlet Side Return Duct Connection

Front

Outlet Side Furnace Connection



Dim.	Description	Model		
		2210	2310	2410
A	Inlet Opening Height	19 3/4" (502mm)	18 1/8" (459mm)	15 7/16" (392mm)
B	Outer Housing Depth without Door	25 3/8" (645mm)	20 1/16" (509.5mm)	28 1/8" (713mm)
C	Inlet Opening Width	21 3/8" (538mm)	15 7/8" (403mm)	23 7/8" (606mm)
D	Unit Width	6 3/4" (171mm)	6 3/4" (171mm)	6 3/4" (171mm)
E	Outer Housing Depth with Door	27 3/8" (695mm)	22 1/16" (560mm)	30 1/8" (763mm)
F	Outlet Opening Width	21 3/8" (538mm)	15 7/8" (403mm)	23 7/8" (606mm)
G	Outlet Opening Height	19 3/4" (502mm)	18 1/8" (459mm)	15 7/16" (392mm)
H	Unit Height	22 1/8" (560mm)	20 3/8" (518mm)	17 3/4" (451mm)



Same protection is recommended for all HVAC types. Including downflow, upflow and horizontal configurations.

REPLACEMENT MEDIA		
Model 2210	Aprilaire Part No. 210 Aprilaire Part No. 213	MERV 11 MERV 13
Model 2310	Aprilaire Part No. 310 Aprilaire Part No. 313	MERV 11 MERV 13
Model 2410	Aprilaire Part No. 410 Aprilaire Part No. 413	MERV 11 MERV 13