

**No. 10**

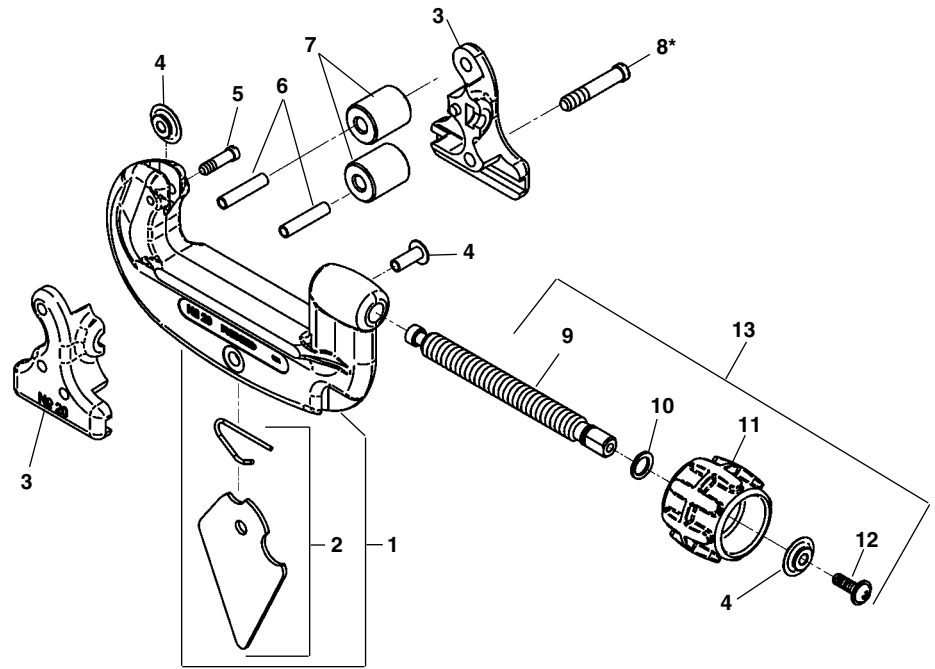
Capacity: 1/8" through 1" O.D.

**No. 15**

Capacity: 3/16" through 1 1/8" O.D.

**No. 20**

Capacity: 5/8" through 2 1/8" O.D.



**NOTE: Order parts by Catalog Number only.  
DO NOT order by Reference Number.**

| Ref. No. | Description                                   | 10          | 15           | 20          |
|----------|---|-------------|--------------|-------------|
|          |   | 1/8"-1"     | 3/16"-1 1/8" | 5/8"-2 1/8" |
|          |   | Catalog No. | Catalog No.  | Catalog No. |
| 1        | Frame Assembly                                | 34605       | 34600        | 33575       |
| 2        | Reamer Blade, Spring & Pin                    | 34330       | 34335        | 34340       |
| 3        | Roll Housing                                  | 33760       | 34610        | 33580       |
| 4        | Cutter Wheel (Thin)                           | 33160       | 33160        | 33160       |
|          | Cutter Wheel (Heavy-Duty)                     | 33165       | 33165        | 33165       |
| 5        | Wheel Screw                                   | 34325       | 34325        | 34345       |
| 6        | Roll Pin                                      | 34860       | *            | *           |
| 7        | Roll  | 34830       | 34805        | 34825       |
| 8*       | Roll Housing Screw                            | 34300       | 34615        | 34620       |
| 9        | Feed Screw                                    | 11308       | 11323        | 11313       |
| 10       | Retaining Ring                                | 11298       | 11303        | 11303       |
| 11       | Knob w/Screw                                  | 33177       | 33182        | 33182       |
| 12       | Screw   | 61097       | 61097        | 61097       |
| 13       | Feed Screw Assembly (Includes Ref. Nos. 9-12) | 34540       | 34585        | 34585       |

\*Three Roll Housing Screws (Ref. No. 8) used in place of Roll Pins.

**No. 30**

Capacity: 1" through 3" O.D.

| Ref. No. | Catalog No. | Description               |
|----------|-------------|---------------------------|
| 1        | 33375       | Frame Assembly            |
| 2        | 34360       | Wheel Screw               |
| 3        | 34420       | Stop Screw                |
| 4        | 33932       | Roll Pin                  |
| 5        | 34365       | Screw Handle              |
| 6        | 33520       | Roll Housing              |
| 7        | 34370       | Roll                      |
| 8        | 33170       | Cutter Wheel (Thin)       |
|          | 33175       | Cutter Wheel (Heavy-Duty) |

