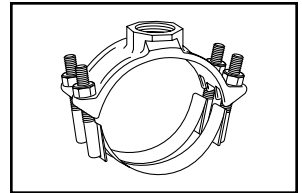
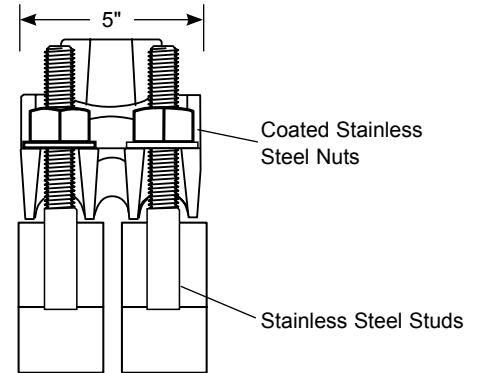
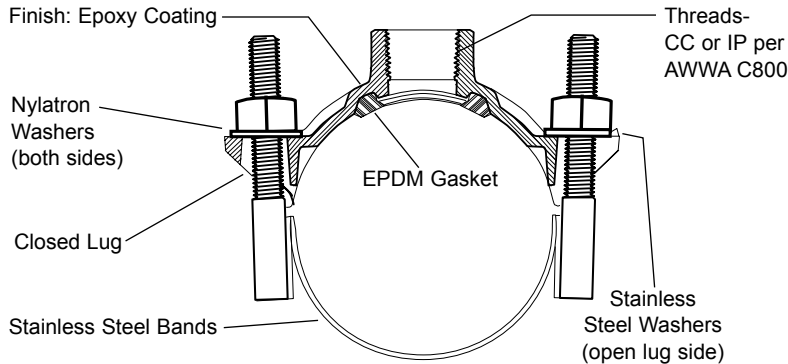


SUBMITTAL INFORMATION

Iron Service Saddles - (FCD202-xxx-TAP-I style)



DUAL BAND EPOXY COATING IRON SERVICE SADDLES FOR USE ON DUCTILE IRON AND A/C PIPE



NOM. PIPE SIZE	O.D. RANGE	APPROX. WT. LBS.	CATALOG NUMBER	✓ SUBMITTED ITEM(S)
2"	2.35 - 2.50	2.8	FCD202-250-TAP-I	
2-1/2"	2.75 - 2.90	2.8	FCD202-290-TAP-I	
3"	*3.46 - 3.80	4.8	FCD202-380-TAP-I	
	**3.80 - 4.25	5.5	FCD202-425-TAP-I	
4"	**4.26 - 4.80	5.4	FCD202-480-TAP-I	
	*4.74 - 5.26	5.4	FCD202-526-TAP-I	
	*4.50 - 5.40	5.4	FCD202-540-TAP-I	
6"	5.94 - 6.69	5.7	FCD202-669-TAP-I	
	6.63 - 6.90	5.7	FCD202-690-TAP-I	
	6.84 - 7.60	6.7	FCD202-760-TAP-I	
	6.63 - 7.61	6.7	FCD202-761-TAP-I	
8"	7.93 - 8.71	6.8	FCD202-871-TAP-I	
	8.63 - 9.05	8.2	FCD202-905-TAP-I	
	8.99 - 9.79	8.4	FCD202-979-TAP-I	
	8.63 - 9.80	8.4	FCD202-980-TAP-I	
10"	10.00 - 10.75	9.4	FCD202-1075-TAP-I	
	10.75 - 11.10	9.0	FCD202-1110-TAP-I	
	11.10 - 12.12	10.8	FCD202-1212-TAP-I	
	10.64 - 12.13	10.8	FCD202-1213-TAP-I	
12"	12.00 - 12.75	11.0	FCD202-1275-TAP-I	
	12.75 - 13.20	9.0	FCD202-1320-TAP-I	
	13.20 - 14.38	12.8	FCD202-1438-TAP-I	
	12.62 - 14.39	12.8	FCD202-1439-TAP-I	

I = Imported casting

* Saddles with this pipe range are not available with 2" CC (CC7) or 2-1/2" IP (IP8) threads.

** These saddles with 1-1/4" through 2-1/2" taps fit the top of the listed range only. Example: FCD202-480-CC7-I fits 4.80" pipe O.D. only.

OUTLET TAP CODE

CC (AWWA) THREAD

THREAD	CODE NUMBER	✓ SUBMITTED ITEM(S)
3/4" CC	CC3	
1" CC	CC4	
1-1/4" CC	Δ CC5	
1-1/2" CC	CC6	
2" CC	CC7	

IP THREAD

THREAD	CODE NUMBER	✓ SUBMITTED ITEM(S)
3/4" IP	IP3	
1" IP	IP4	
1-1/4" IP	Δ IP5	
1-1/2" IP	IP6	
2" IP	IP7	
2-1/2" IP	IP8	

Δ Contact factory for availability

FEATURES

- Body made of high strength ductile iron per ASTM A536
- Each dual band and 5/8" UNC threaded studs are 18-8 type 304 stainless steel. For saddles 3" or smaller, studs are 1/2"
- Gasket is EPDM rubber, ASTM D2000
- Finish on saddle body is fusion-bonded epoxy coating
- UL Classified to ANSI/NSF Standard 61

The Ford Meter Box Company considers the information in this submittal form to be correct at the time of publication. Item and option availability, including specifications, are subject to change without notice. Please verify that your product information is current.



The Ford Meter Box Company, Inc.

P.O. Box 443, Wabash, Indiana U.S.A. 46992-0443

Phone: 260-563-3171 / Fax: 800-826-3487

Overseas Fax: 260-563-0167

www.fordmeterbox.com

12/20/17

Submitted By: