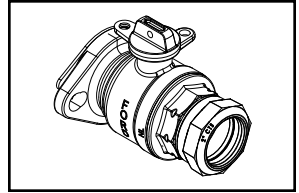
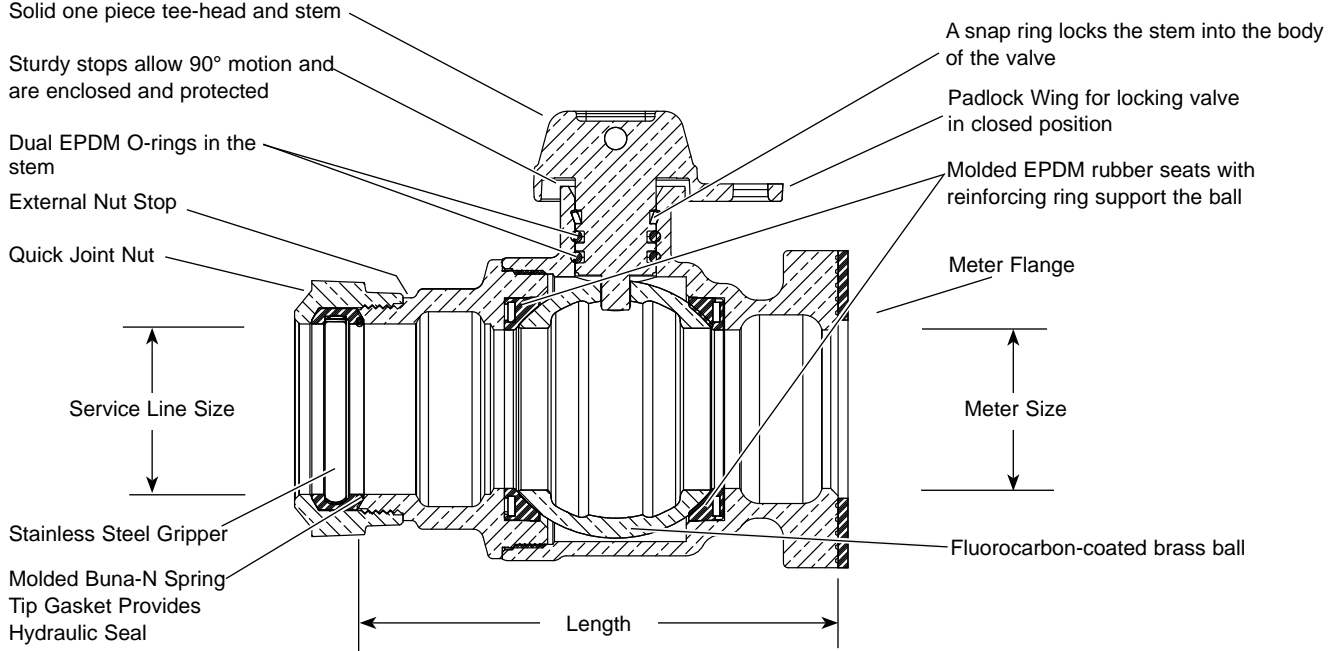


# SUBMITTAL INFORMATION

## Straight Ball Flange Meter Valves - (BF43-xxxW-Q-NL style)



### QUICK JOINT FOR COPPER OR PLASTIC TUBING (CTS) INLET BY METER FLANGE OUTLET



VALVE SIZE	SERVICE LINE SIZE	METER SIZE	LENGTH	APPROX. WT. LBS	PART NUMBER	✓ SUBMITTED ITEM(S)
1-1/2"	1-1/2"	1-1/2"	5-23/64"	7.4	BF43-666W-Q-NL	
2"	2"	1-1/2" and 2"	6-3/32"	10.2	BF43-777W-Q-NL	

**Note:** Ford recommends using insert stiffeners with plastic pipe or tubing.

### FEATURES

- All brass that comes in contact with potable water conforms to AWWA Standard C800 (UNS No. C89833)
- The product has the letters "NL" cast into the main body for lead-free identification
- Certified to NSF/ANSI Standard 61 and NSF/ANSI Standard 372 where applicable
- Brass components that do not come in contact with potable water conform to AWWA Standard C800 (ASTM B62 and ASTM B584, UNS No. C83600, 85-5-5-5)
- Valve is non-directional and is watertight with flow in either direction
- Ends are integral or secured with adhesive to prevent unintentional disassembly
- Padlock Wing for locking valve in closed position
- Hole for attaching handle is provided in the tee-head
- 300 PSI working pressure
- Furnished with flat EPDM drop-in meter gasket
- Slotted holes are standard on 2" Flanged Meter Valves, allowing 1-1/2" Flange Meter connection

**Optional full 360° tee-head rotation.** Add "R" into part number. Example: BF43-777WR-Q-NL

**Optional Meter Support Brackets.** Add "- MSB" into part number. Example: BF43-777W-MSB-Q -NL

The Ford Meter Box Company considers the information in this submittal form to be correct at the time of publication. Item and option availability, including specifications, are subject to change without notice. Please verify that your product information is current.



**The Ford Meter Box Company, Inc.**

P.O. Box 443, Wabash, Indiana U.S.A. 46992-0443

Phone: 260-563-3171 / Fax: 800-826-3487

Overseas Fax: 260-563-0167

www.fordmeterbox.com

11/18/15

Submitted By: