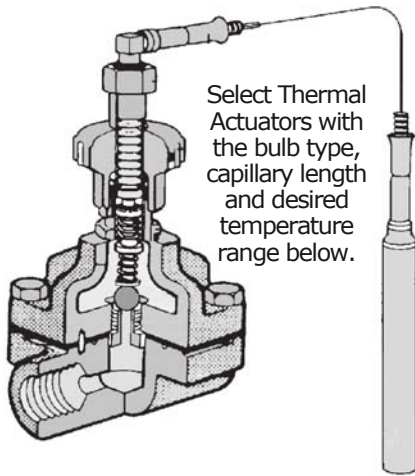


Spirax-Sarco 25MT Temperature Control Valve



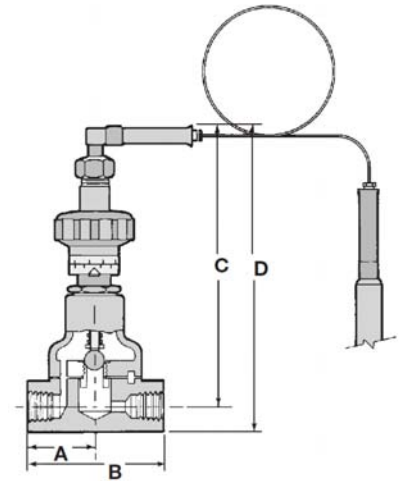
Direct Acting Temperature Regulating Valve

With Adjustable Temperature Control Dial

Spirax-Sarco 25MT is a self-actuated (no outside power required) temperature control valve with a calibrated, self-adjustable temperature control dial.

Typical Applications: Steam water heaters, instantaneous heat exchangers and converters, air handling and tank heating coils, steam jacketed vessels, steam chests, molds and platens.

- Cast Iron Valve Construction, 1/2" NPT.
- Choose from a variety of temperature pilots with solid-fill sensing bulbs from ordering chart below.

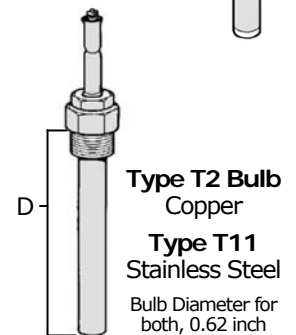
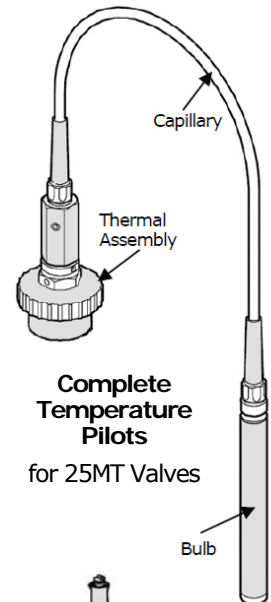


Model No.	Pipe Size	Conn.	Max. PSI	Max. TEMP F.	WGT LBS.	Dimensions, Inches				Order No.	Model No.	Repair Parts
						A	B	C	D			
25MT Valve Only	1/2"	NPT	250	450	2.0	1.75	3.5	7.38	8.06	SG1569	25MT	None Available - Order New Valve.

Next, Choose a Temperature Pilots for the 25MT

Copper or Stainless Steel Bulbs and Capillary from 8 or 15 feet

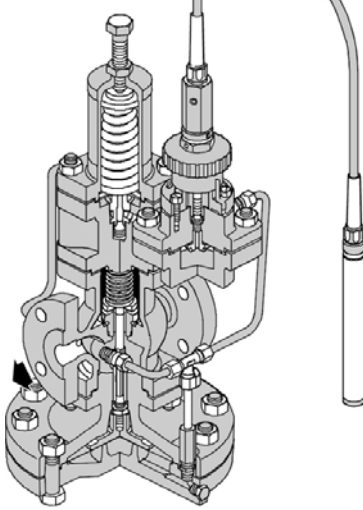
Temp. Pilot and Bulb Type	Description	Capillary Length	Adj. Temp. Range F	Order No.
25MT, Type T2 Copper Bulb 8 Foot Brass Cap.	Temperature Pilot with Type T2 Copper Bulb, 3/4" NPT Union Connection, and a 8 foot long Brass Armored Capillary	8 FEET	60-120°	SG1570
			100-160°	SG1570A
			120-180°	SG1570C
			160-220°	SG1570E
			200-260°	SG1570F
25MT, Type T2 Copper Bulb 15 foot Brass Cap.	Temperature Pilot with Type T2 Copper Bulb, 3/4" NPT Union Connection, and a 15 foot long Brass Armored Capillary	15 FEET	60-120°	SG1570H
			100-160°	SG1570K
			120-180°	SG1570L
			160-220°	SG1570M
			200-260°	SG1570N
25MT, Type T11 Stainless Steel Bulb and 8 Foot Stainless Steel Cap.	Temperature Pilot with Type T11 Stainless Steel Bulb, 3/4" NPT Union Connection and a 8 foot long <u>Stainless Steel Armored Capillary</u>	8 FEET	60-120°	SG1570R
			100-160°	SG1570T
			120-180°	SG1570U
			160-220°	SG1570W
			200-260°	SG1570X
			260-320°	SG1570Y



Length "D" Above
Type T2 Length = 5.21"
Type T11 Length = 6.12"

Steam Pressure & Temperature Control Valves

No. 25 main valve with pressure and temperature pilot



Spirax-Sarco Steam Pressure & Temperature Control Valves

When you need tight control of your pressure or temperature, or pressure and temperature control valves, you need to step-up to these more accurate self-acting regulators. With the Series 25 main valve and selected pilot, you'll get the action you need to keep accurate control of your system.

These units are purchased in two steps:

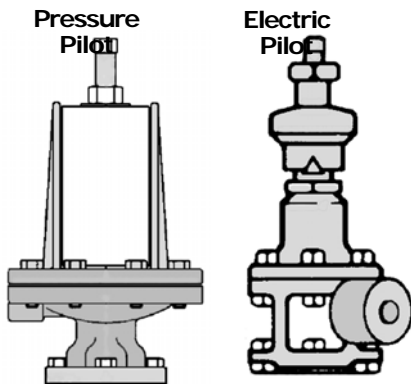
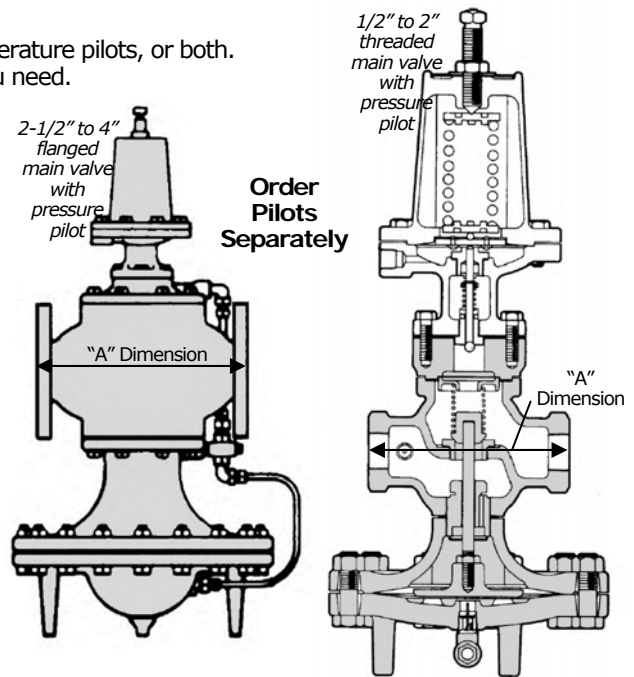
- **STEP ONE:** Pick a "Main Valve." Threaded or flanged, sized for the flow through your system. Call us at 800.772.2099. We'll help size the correct valve for your application.
- **STEP TWO:** Pick a "Pressure Pilot." This is the spring-operated sensing unit that goes on the main valve. Pick a pressure pilot and/or a temperature pilot.
- **STEP THREE:** If you're choosing a temperature pilot, pick one with the sensing bulb and capillary length you need to go from the temperature pilot to the heating medium.

All the "pilots" shown here fit the Series 25 Main Valve shown in the table below.

► Step One: Series 25 Main Valve Selection Chart

- These Series 25 Main Valves: used with either pressure or temperature pilots, or both.
- Simply choose the size, connection style and pressure rating you need.

Valve Size	Connection Style	Maximum Pressure & Temperature	Flow Factor Cv	"A" Dim. inches	Main Valve Order No.
1/2"	Threaded	Cast Iron construction 125 psig @ 450° F.	3.48	5.5	SG1215
3/4"	Threaded		6.5	5.5	SG1216
1"	Threaded		10.5	6.0	SG1217
1-1/4"	Threaded		14	7.25	SG1220
1-1/2"	Threaded		20	7.25	SG1230
2"	Threaded		35	8.5	SG1240
2-1/2"	Flanged		56	10.9	SG1250
3"	Flanged		74	11.75	SG1255
4"	Flanged		115	13.9	SG1260
6"	Flanged		260	18.1	SG1265
2-1/2"	Flanged	Cast Steel construction 250 psig @ 450° F.	56	11.5	SG1275
3"	Flanged		74	12.5	SG1280
4"	Flanged		115	14.5	SG1285
6"	Flanged		260	19.0	SG1290



► Step Two: Pressure Pilot Selection

Pick a Series 25 main valve above and choose from one of the pressure regulating pilots in the desired pressure range below.

Adjustable Range	Description	Order No.
3 to 30 psi (yellow spring)	Pressure Pilot	SG1400
20 to 100 psi (blue spring)	Pressure Pilot	SG1401
80 to 250 psi (red spring)	Pressure Pilot	SG1402
Electric pressure pilot, 115V		SG1410
Electric pressure pilot, 230V		SG1420
PA pressure pilot, Air Loaded		SG1430
Back Pressure Pilot		SG1440

Steam Pressure & Temperature Control Valves

Temperature Pilot Selection Chart

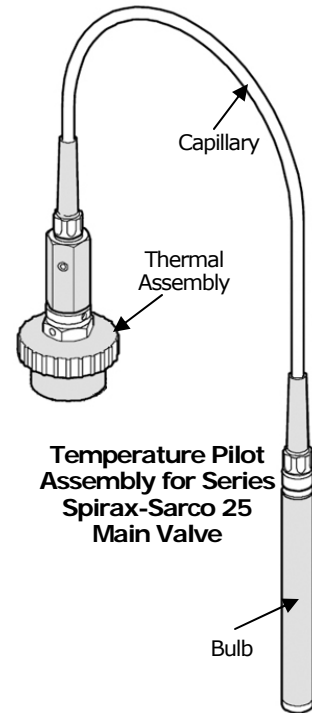
► Step Three: Temperature Pilot Selection Chart

■ Pick a temperature range from the table below and add to the end of the catalog order number the temperature range you desired. **For example . . .**

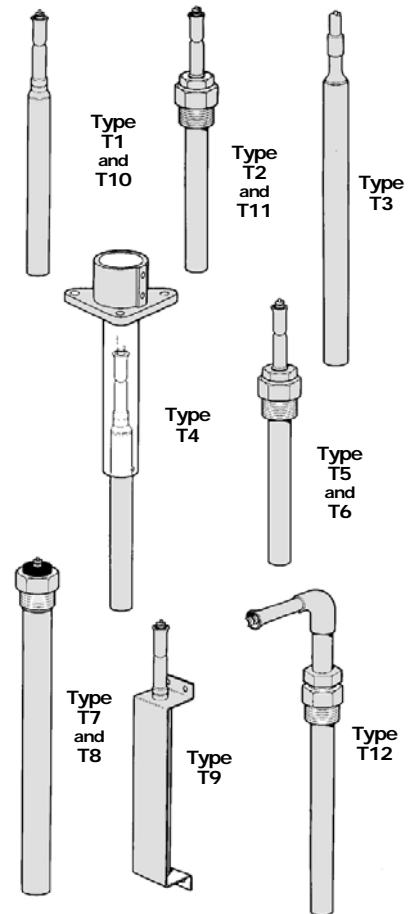
Example: 25T pilot, T2 bulb, 8' capillary with 120° to 180° would be ordered **SG1610, 120° to 180° F.**

Select a Temperature Pilot Temperature Range	
Pilot Temperature Ranges, F.	Pilot Temperature Ranges, F.
30 to 90	100 to 160
60 to 120	160 to 220
120 to 180	260 to 320
200 to 260	—

Temp. Pilot & Bulb Assy.	SPIRAX-SARCO TEMPERATURE PILOT ORDER GUIDE <i>Includes thermal assembly, bulb and capillary</i>	Capillary Length	Order No.
25T, T1	T1 Plain Copper Bulb	8 feet	SG1600
25T, T1	T1 Plain Copper Bulb	15 feet	SG1601
25T, T2	T2 Copper Bulb with 3/4" NPT union	8 feet	SG1610
25T, T2	T2 Copper Bulb with 3/4" NPT union	15 feet	SG1611
25T, T3	T3 Plain Copper Bulb Teflon coated	8 feet	SG1620
25T, T3	T3 Plain Copper Bulb Teflon coated	15 feet	SG1621
25T, T4	T4 Copper Bulb with flanged connection	8 feet	SG1630
25T, T4	T4 Copper Bulb with flanged connection	15 feet	SG1631
25T, T5	T5 Copper Bulb with brass well	8 feet	SG1640
25T, T5	T5 Copper Bulb with brass well	15 feet	SG1641
25T, T6	T6 Copper Bulb with stainless steel well	8 feet	SG1650
25T, T6	T6 Copper Bulb with stainless steel well	15 feet	SG1651
25T, T7	T7 Copper Bulb with 18" extension	8 feet	SG1660
25T, T7	T7 Copper Bulb with 18" extension	15 feet	SG1661
25T, T8	T8 Copper Bulb with stain. steel 18" ext. well	8 feet	SG1670
25T, T8	T8 Copper Bulb with stain. steel 18" ext. well	15 feet	SG1671
25T, T9	T9 Copper Bulb with wall mounting bracket	8 feet	SG1680
25T, T9	T9 Copper Bulb with wall mounting bracket	15 feet	SG1681
25T, T10	T10 Bulb in plain stainless steel & Stainless Steel armored capillary tubing	8 Feet	SG1690
25T, T11	T11 Bulb in stainless steel with 3/4" npt union & Stainless Steel armored capillary tubing	8 Feet	SG1700
25T, T12	T12 Bulb in plain copper union extension at 90° offset & brass armored capillary tubing	8 feet	SG1710

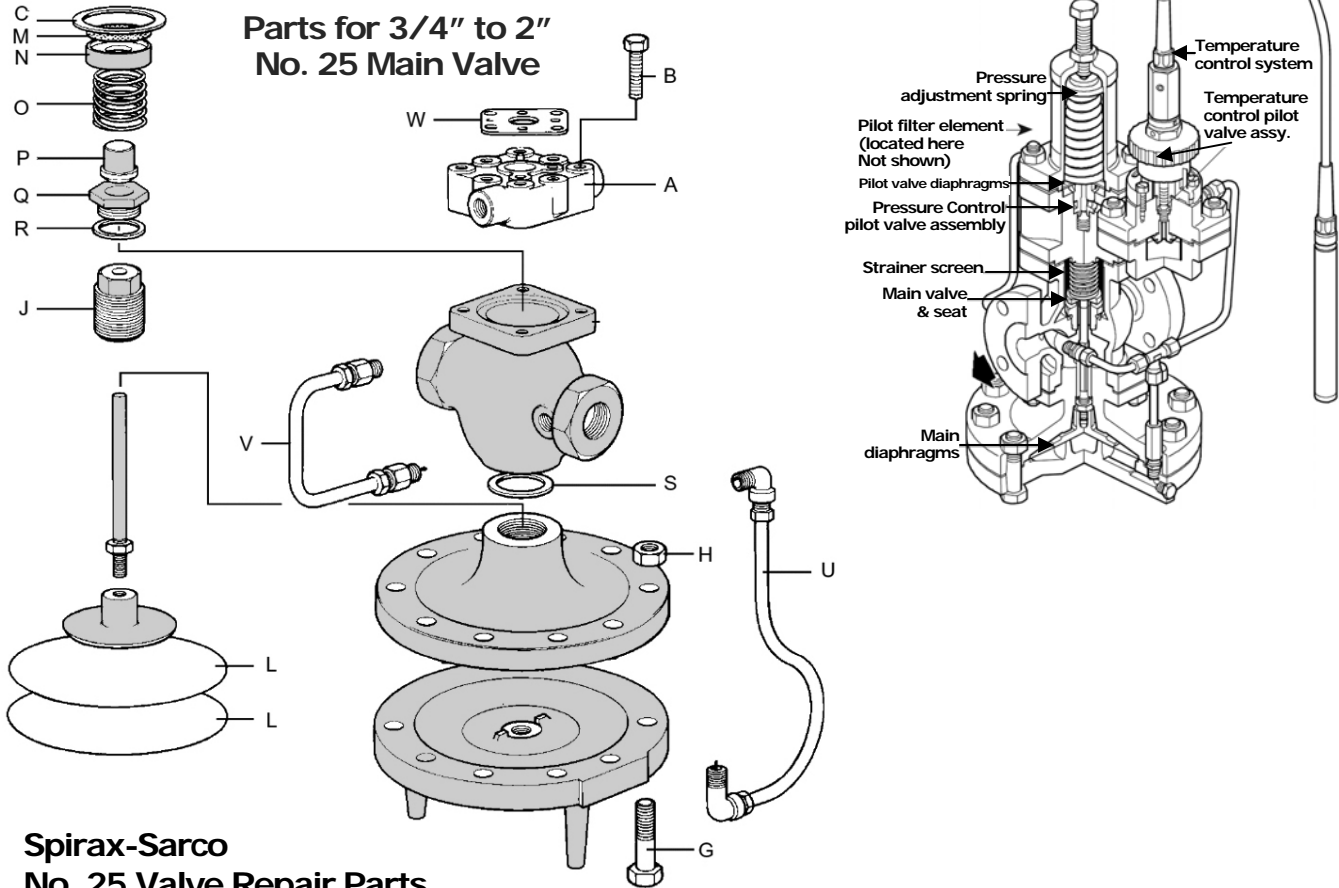


Bulb Identification



Steam Pressure & Temperature Control Valves

Repair Parts for 25 series Spirax-Sarco Pressure & Temperature Regulating Valves



Spirax-Sarco No. 25 Valve Repair Parts

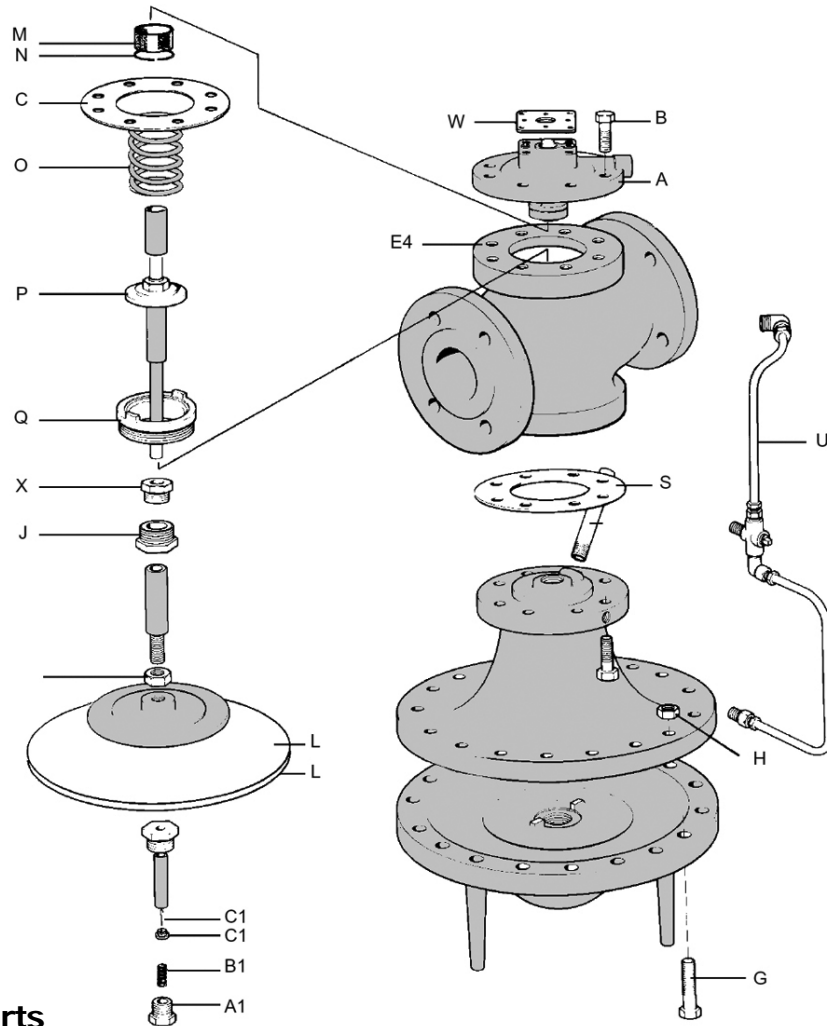
Part No's. Above	Parts Description for Spirax-Sarco No. 25 Main Valves: Sizes 3/4" to 2"	3/4" Valve Order No.	1" Valve Order No.	1 1/4" Valve Order No.	1 1/2" Valve Order No.	2" Valve Order No.
A,B,C	Cover assembly with cap, screws, gasket	SH1300	SH1301	SH1302	SH1302	SH1303
M,N,O,C	Screen, spring, support disc, valve spring & cap gasket	SH1311	SH1312	SH1313	SH1310	SH1320
C,P,Q,R	Cover gasket, valve head, seat & seat gasket	SH1327	SH1328	SH1329	SH1330	SH1340
C,P,Q,R For Reduced Port Valve	*Cover gasket, valve head, seat & seat gasket for reduced port valve ("S")	SH1352	SH1353	SH1354	SH1355	SH1356
J,S,T	Valve stem guide, stem & nut, body/diaphragm case gskt	SH1325	SH1326	SH1350	SH1350	SH1360
K	Diaphragm plate	SH1367	SH1367	SH1367	SH1367	SH1368
L	Diaphragms (set of 2)	SH1369	SH1370	SH1370	SH1370	SH1380
U,V	Transmission tubing with fittings	SH1403	SH1404	SH1405	SH1405	SH1406
C,R,S,W	Gasket kit: Cap, seat, body/diaphragm case & four pilot gaskets	SH1387	SH1388	SH1389	SH1390	SH1400

Steam Pressure & Temperature Control Valves

Repair Parts for 2½" to 4" Spirax-Sarco No. 25 Main Valve

"Do I have a reduced port main valve?"

Main valves are sized based on the capacity of flow within a pipe. If you have a 2" pipe but a "flow" equivalent to a standard 1" pipe and you do not want to pipe-in a "smaller pipe": Order the larger main valve (to accommodate the physical size of your existing pipe) with a **reduced port** to attain the proper flow capacity. Series 25 Main Valves ending with the letter "S" (25S) have a reduced port. Call for more information.



Spirax-Sarco No. 25 Valve Repair Parts

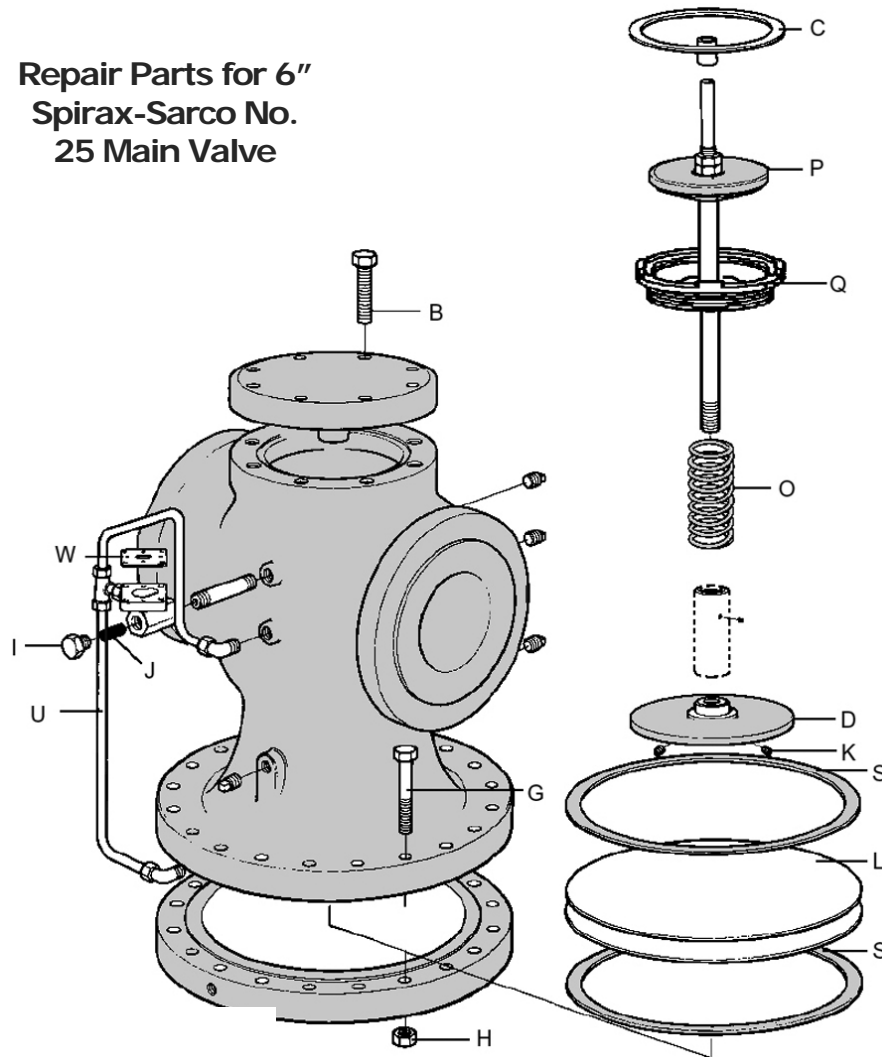
Part No's. Above	Parts Description for Spirax-Sarco No. 25 Main Valves: Sizes 2½" to 4"	2½" Valve Order No.	3" Valve Order No.	4" Valve Order No.
C,M,N,O	Regulator screen, screen retaining ring, main valve spring and cap gasket	SH1316	SH1317	SH1318
C,P,Q,X	Regulator cap gasket, head and stem assembly, seat and stem guide	SH1344	SH1345	SH1346
	Regulator cap gasket, head and stem assembly, seat and stem guide for reduced port main valves ending with the suffix "S"	SH1347	SH1348	SH1349
J,Y,Z	Lower stem and guide	SH1362	SH1362	SH1363
Main Valve Rebuild Kit: Includes B,C,L,M,N,O,P,Q,U,W		SH1457	SH1457A	SH1457B
K	Diaphragm plates	SH1368A		
L	Diaphragm Kits (set of two)	SH1381	SH1381	SH1383
U	Copper Transmission tubing kits with fittings	SH1407	SH1408	SH1408A
	Stainless Steel Transmission tubing kits with fittings	SH1408F	SH1408G	SH1408H
B1,C1	Damping assembly	SH1409		
D1	Regulator relief tube	SH1321	SH1321	SH1322
C,S,W	Gasket set	SH1401	SH1402	SH1402A
A,B,C	"Cast Iron" cover assembly with cap screws and gasket	SH1304	SH1305	SH1306
	"Cast Steel" cover assembly with cap screws and gasket	SH1307	SH1307A	SH1307B

Steam Pressure & Temperature Control Valves

Repair Parts for 6" Spirax-Sarco No. 25 Main Valve

"Do I have a reduced port main valve?"

Main valves are sized based on the capacity of flow within a pipe. If you have a 2" pipe but a "flow" equivalent to a standard 1" pipe and you do not want to pipe-in a "smaller pipe": Order the larger main valve (to accommodate the physical size of your existing pipe) with a **reduced port** to attain the proper flow capacity. Series 25 Main Valves ending with the letter "S" (25S) have a reduced port. Call for more information.



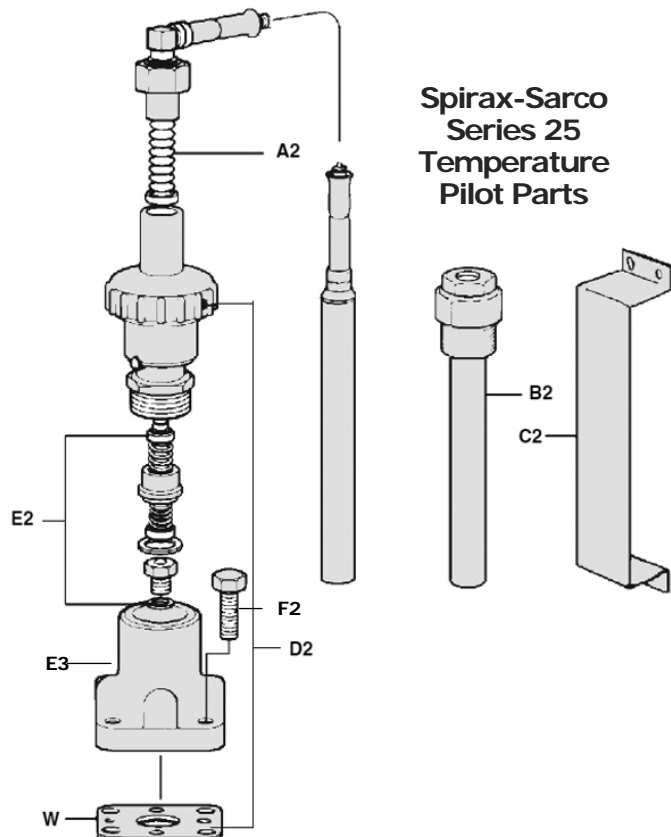
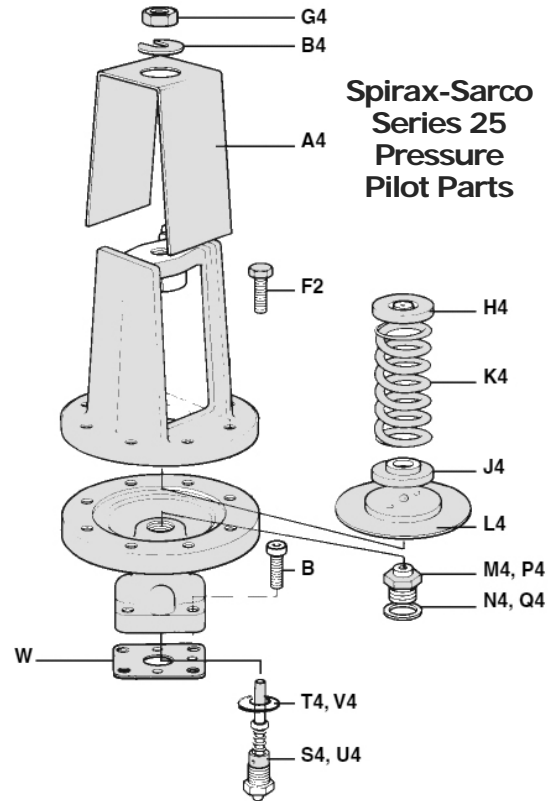
Spirax-Sarco No. 25 Valve Repair Parts

Part No's. Above	Parts Kit Description	6" Valve Order No.
I,J	Screen assembly	SH1408N
O,S	Spring and lower diaphragm cover gaskets	SH1318H
C,P,Q	Regulator head, stem and seat assembly	SH1346A
C,P,Q	Regulator head, stem and seat assembly for reduced port series 25S	SH1349B
Main Valve Rebuild Kit: Includes B,C,L,O,P,Q,S,U,W		SH1457C
K	Diaphragm plate and set screw	SH1468C
L	Diaphragm Kit (set of two)	SH1383A
U	Transmission tubing with fittings	SH1408J
U	Transmission tubing with fittings and 1/4" pipe size female needle valve	SH1408K
X	Pilot platform	SH1308
C,R,S,W	Gasket set	SH1402B
B	Cover bolt kit	SH1408P
G,H	Diaphragm case bolt kit	SH1408R

Steam Pressure & Temperature Control Valves

Spirax-Sarco Pressure Pilot Repair Parts

Part No.	Parts Description	Order No.
A4,B4	Cover plate with retaining ring	SH1411
G4,H4,J4	Adjustment screw with nut and upper and lower spring support discs	SH1412
K4	Pressure adjustment spring, Yellow-colored , 3 to 30 psig	SH1410
K4	Pressure adjustment spring, Blue-colored , 20 to 100 psig	SH1420
K4	Pressure adjustment spring, Red-colored , 80 to 290 psig	SH1421
L4	Diaphragm assembly	SH1430
M4,N4	Stem Guide with gasket for Models 25P, 25PA & 25MP	SH1440
P4,Q4,R4	Stem guide with seal and gasket for 25BP (not shown)	SH1413
S4,T4	Head and seat assembly with gasket	SH1450
J2	Head and seat assembly for 25MP (not shown)	SH1414
U4,V4	Head and seat assembly for 25BP (not shown)	SH1415
W	Square gaskets for all pilots	SH1455



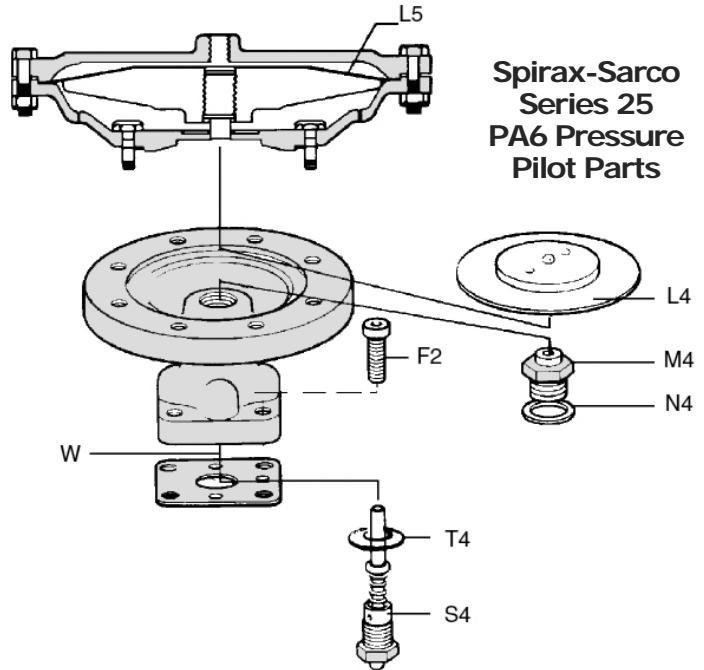
Spirax-Sarco Temperature Pilot Parts

Part No.	Parts Description	Range	Order No.
D2	Pilot Adjustment Assembly	30-90 F	SH1465
		60-120 F	SH1466
		100-160 F	SH1467
		120-180 F	SH1468
		160-220 F	SH1469
		200-260 F	SH1470
		260-320 F	SH1471
E3, F2, W	Pilot body with screws & gaskets	Over 15 psi	SH1474
		15 psi & below	SH1475
E2	Pilot head and guide assembly with gasket, seat and seat gasket	Over 15 psi	SH1472
		15 psi & below	SH1473
W	Gasket	All	SH1455
Thermal Assembly Replacements			
A2	Style T4 Thermal Assembly		SH1476
	Style T5 Thermal Assembly		SH1477
	Style T6 Thermal Assembly		SH1478
	Style T7 Thermal Assembly		SH1479
	Style T8 Thermal Assembly		SH1480
	Style T9 Thermal Assembly		SH1481

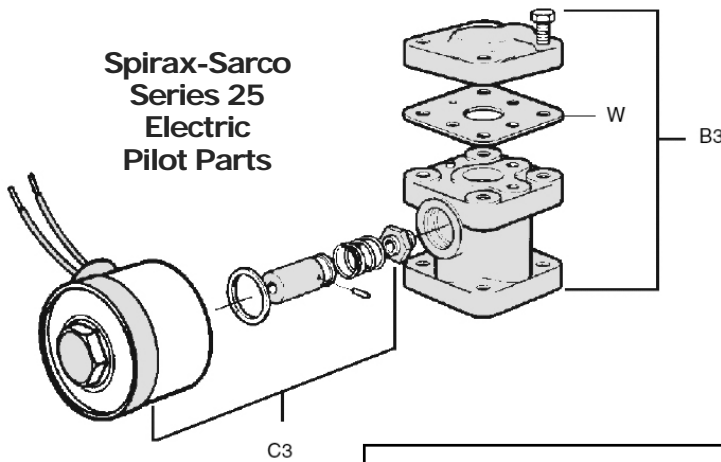
Steam Pressure & Temperature Control Valves

Spirax-Sarco PA6 Pilot Repair Parts

Part No.	Parts for 25, PA6 Pressure Pilot	Order No.
A4, B4	Pilot cover plate w/retaining ring	SH1411
G4, H4, J4	Adjustable screw with nut and upper and lower support disc	SH1412
K4	Pressure spring, yellow, 3-30 psi	SH1410
	Pressure spring, blue, 20-100 psi	SH1420
	Pressure spring, red, 80-290 psi	SH1421
L4	Pilot diaphragm	SH1430
S4	Pilot head and seat assembly with gasket	SH1450
W	Pilot gasket	SH1455
F2, W	Pilot screws with gasket	SH1456



Spirax-Sarco Series 25 PA6 Pressure Pilot Parts



Spirax-Sarco Series 25 Electric Pilot Parts

Spirax-Sarco Electric Pilot Repair Parts

Part No.	Parts Kit for 25, Electric Pilot	Order No.
C3	Pressure Pilot Kit, 115 volt, 140 psi	SH1417A
	Pressure Pilot Kit, 115 volt, 200 psi	SH1417B
	Pressure Pilot Kit, 230 volt, 140 psi	SH1417C
	Pressure Pilot Kit, 230 volt, 200 psi	SH1417D
B3	Cast iron body w/gask & cap screws	SH1417G
	Steel body w/gasket & cap screws	SH1417H
W	Pilot body gasket	SH1455

Call Today for more detailed information on both complete Spirax-Sarco valves and their repair parts!

