



SCR-4 SERIES

N-180 | N-210 | N-240 | N-270

TITAN ELECTRIC TANKLESS WATER HEATER



Over the last 31 years, Niagara Industries, Inc. has emerged as the predominant manufacturer of electronic tankless water heaters and has been instrumental in the advancement of tankless water heater design and technology in the industry. Niagara Industries initial designs have become the standard by which many other tankless water heaters are built. Our design center allows us to build units to customer specifications.

All this combined has placed Niagara Industries, Inc. at the forefront of tankless water heating technology.

Benefits

- Space saver
- Occupies zero floor space
- Compact and lightweight
- Unlimited supply of hot water
- Energy efficiency
- Reduces water heating cost as much as 60%
- Environmentally friendly
- New digital microprocessor controller

Compliance	UL #499
Standards	NSF/ANSI Std 372
Listed	Intertek
	MET Laboratories
Dimensions	11 1/2" x 10 1/2" x 3"
Weight	10 Pounds
Materials	Copper & Brass Casing
Pipe Fitting	3/4 Standard Pipe
Pressure Requirements	5 PSI-Min /150 PSI-Max
Voltage	240 VAC Std.(208/277 Avail)
Elements	Copper / Nichrome
Energy Efficiency	Up to 99.5%
Activation	0.4 GPM-on/ 0.3 GPM-off
Warranty	10 years against Leakage
	1 year on components
Protection	Microtemp Thermistor
	Manual Resettable Thermostat
Flow Rate	5 GPM



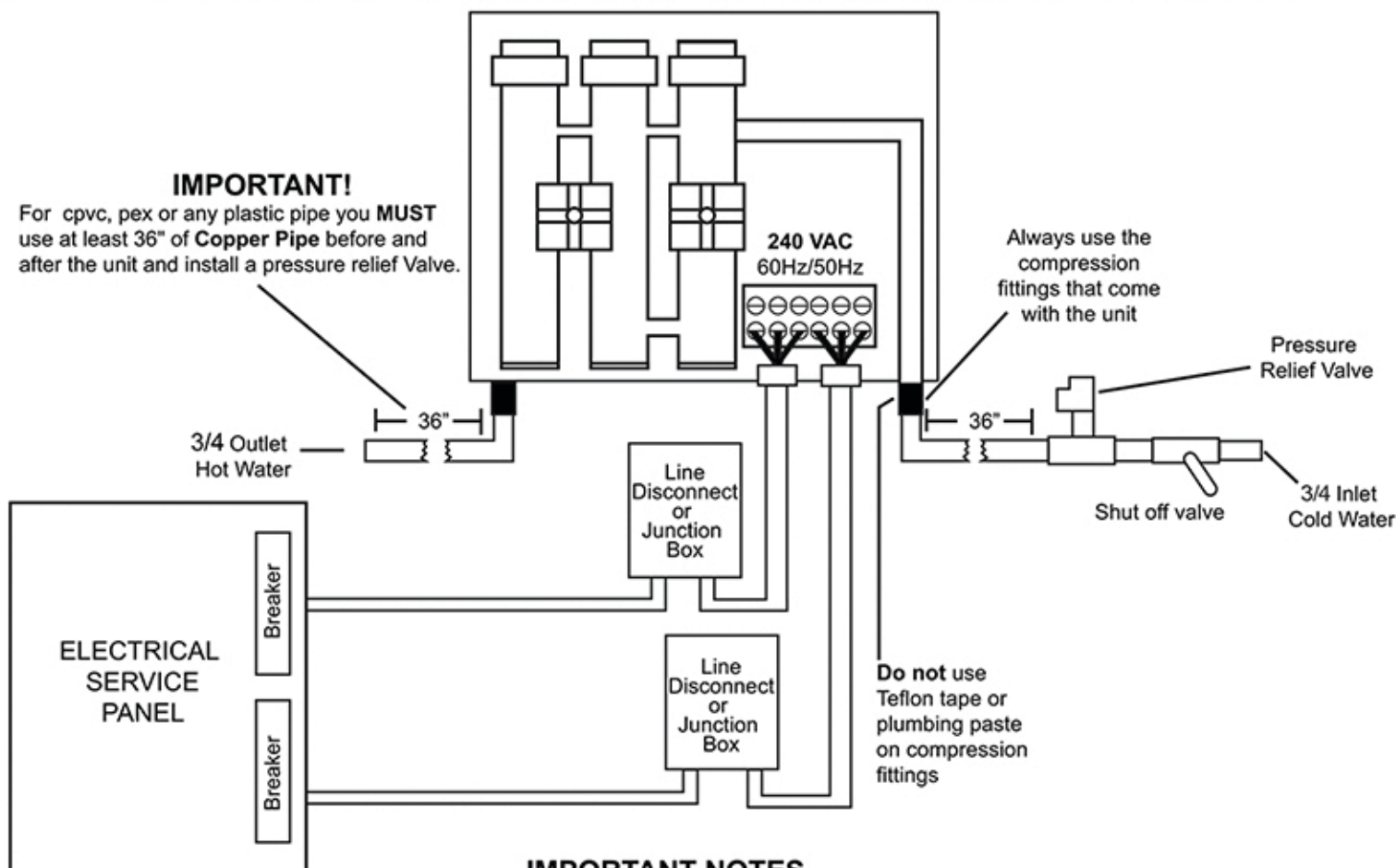
Conforms to
NSF/ANSI Std 372
Intertek
4008406

PATENT No. 8,297,525

NIAGARA INDUSTRIES™
Where water meets technology

www.tanklesswaterheater.com

ELECTRONIC TANKLESS WATER HEATER INSTALLATION DIAGRAM FOR TITAN SCR-4 SERIES



IMPORTANT NOTES

1. Always use the wire that comes with the unit to connect to the junction box or disconnect switch.
2. Before turning on the electricity let the water run for 20 seconds through the unit.
3. Always flush all the water lines before connecting the unit to the copper pipes.
4. Note that excessive heat from soldering on copper pipes near the heater may cause internal damage.
5. **DO NOT OPEN** the unit under any circumstances unless you contact a technician at Niagara Industries to diagnose the problem.

UNIT SPECIFICATIONS AND TEMPERATURE RISE CHART

MODEL	MAXFLOW	KW/HR	VOLTS	AMPS	BREAKER	WIRE	1.0 gpm	1.5 gpm	2.0 gpm	2.5 gpm	3.0 gpm	3.5 gpm	4.0 gpm	4.5 gpm	5.0 gpm
N-180	5.0 gpm	18	240	75	2x40	8ga	122 deg	81 deg	61 deg	49 deg	41 deg	35 deg	31 deg	27 deg	25 deg
N-210	5.0 gpm	21	240	88	2x50	6ga	143 deg	95 deg	71 deg	57 deg	48 deg	41 deg	38 deg	32 deg	29 deg
N-270	5.0 gpm	27	240	112	2x60	6ga	180 deg	118 deg	86 deg	66 deg	54 deg	46 deg	44 deg	40 deg	36 deg



Take the information on your mobile device

