



Submittal Data Information

101-081

Low Water Cutoff

Effective: October 1, 2008

Supersedes: December 1, 2007

Job: _____ Engineer: _____ Contractor: _____ Rep: _____

ITEM NO.	MODEL NO.

Listings/Approvals

UL GUIDE (MBPR) for Limit Controls per UL Standard 353 Limit Controls
 UL GUIDE (MBPR7) Controls, Limit Certified for Canada CSA Standard C22.2
 UL GUIDE (MCUR2) for Electrode Assemblies – Component (remote probes)
 FM Approved (LF only)
 Fully compliant with CSD-1 requirements

Material of Construction

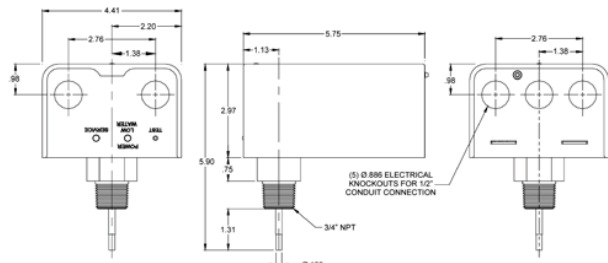
LTA-2 and LF Control Unit: NEMA Type 1 (For indoor use only). Formed sheet metal with powder coat/plated finish enclosure, knock-outs for 1/2" conduit fittings.
 LTR Unit: UL 94 V0 rated engineered plastic enclosure
 Remote Probe: NEMA Type 4. Drawn sheet metal with powder coat/plated finish enclosure. Opening for 1/2" conduit fitting.
 All models are not for use in hazardous locations

Performance Data

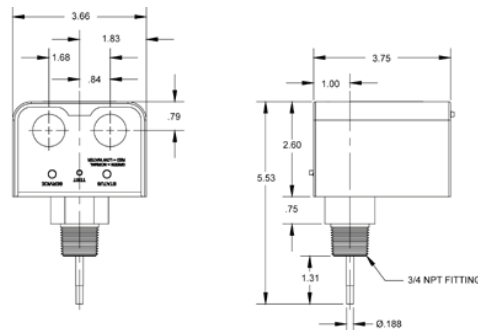
Category	LF Model	LTA-2 Model	LTR Model
Maximum Pressures Steam	250 psi (17.6 kg/cm ²)	NA	N/A
Maximum Pressures Hot Water	250 psi (17.6 kg/cm ²) @250°F (121°C)	250 psi (17.6 kg/cm ²) @250°F (121°C)	160 psi (11.2 kg/cm ²) @ 250°F (121°C)
Maximum Ambient Temp.	150°F (66°C)	150°F (66°C)	120°F (49°C)
Delays	Automatic	N/A	N/A
Probe Sensitivity	20K Ohms, extended operation to 40K Ohms	20K Ohms, extended operation to 40K Ohms	20K Ohms, extended operation to 40K Ohms
Control Power Consumption	3VA @ 120VAC, 3VA @ 24VAC	2.8VA @ 120VAC, 2.8VA @ 24VAC	1.5VA @ 24VAC
Input Supply Voltage	120VAC, 24VAC*	120VAC, 24VAC*	24VAC*

*24VAC supplied by a Class 2 power source

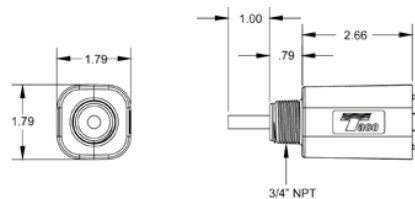
Model LF Dimensions



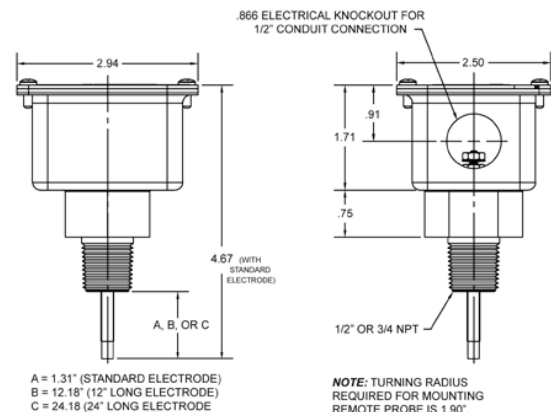
Model LTA-2 Dimensions



Model LTR Dimensions



Remote Probe Dimensions



Taco, Inc., 1160 Cranston Street, Cranston, RI 02920 | Tel: (401) 942-8000 | FAX: (401) 942-2360

Taco (Canada), Ltd., 8450 Lawson Road, Suite #3, Milton, Ontario L9T 0J8 | Tel: (905) 564-9422 | FAX: (905) 564-9436

Visit our web site: www.TacoComfort.com | Printed in USA | ©2015 Taco, Inc.

