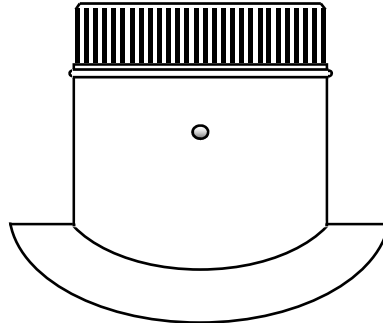
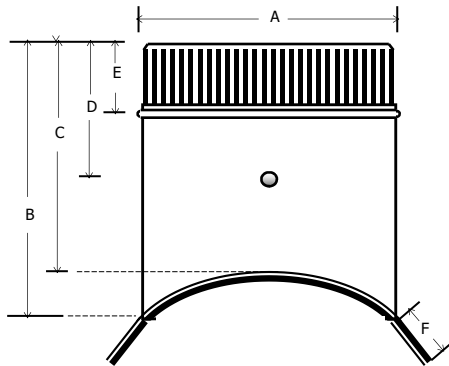


ROUND SADDLE ADHESIVE TAKEOFF

— TA09, TA09D, TA09DE



Adhesive Gasket



Optional Damper
Extension Kit 2" H

A	B	C	D	E	F	GA	Fits Diam pipe
4	Various	Various	3.75	1.75	1" or 1.5"	28, 26	4,5,6
5	Various	Various	3.75	1.75	1" or 1.5"	28, 26	5,6,7,8
6	Various	Various	3.75	1.75	1" or 1.5"	28, 26	6,7,8,9,10
7	Various	Various	3.75	1.75	1" or 1.5"	28, 26	7,8,9,10
8	Various	Various	3.75	1.75	1" or 1.5"	28, 26	8,9,10,12
9	Various	Various	3.75	1.75	1" or 1.5"	26	9,10,12
10	Various	Various	3.75	1.75	1" or 1.5"	26	10,12,14
12	Various	Various	3.75	1.75	1" or 1.5"	26	12,14,16
14	Various	Various	3.75	1.75	1" or 1.5"	26	14,16,18
16	Various	Various	3.75	1.75	1" or 1.5"	26	16,18,20
18	Various	Various	3.75	1.75	1" or 1.5"	26	18,20,22
20	Various	Various	3.75	1.75	1" or 1.5"	26	20,22,24,26
22	Various	Various	3.75	1.75	1" or 1.5"	26	22,24,26,28
24	Various	Various	3.75	1.75	1" or 1.5"	26	24,26,28,30

Galvanized Steel, G30/40 Standard. G90 available.

Adhesive gasket for tight seal and easy installation.

Part Number designations

TA09XX, TA09DXX, TA09DEXX

Where: XX = Diameter (04-24)

D = Damper (Single and dual hardware available)

DE = Damper Extension 2" H

(Reinforced damper axis or 3/8" solid rod)

Options: Standard 28/26GA; 24GA and 22GA available

Fully enclosed damper heights (C Dimension) available.

PROJECT: _____ COMPANY: _____ DATE: _____

LOCATION: _____ SUBMITTED BY: _____