

Location: \_\_\_\_\_

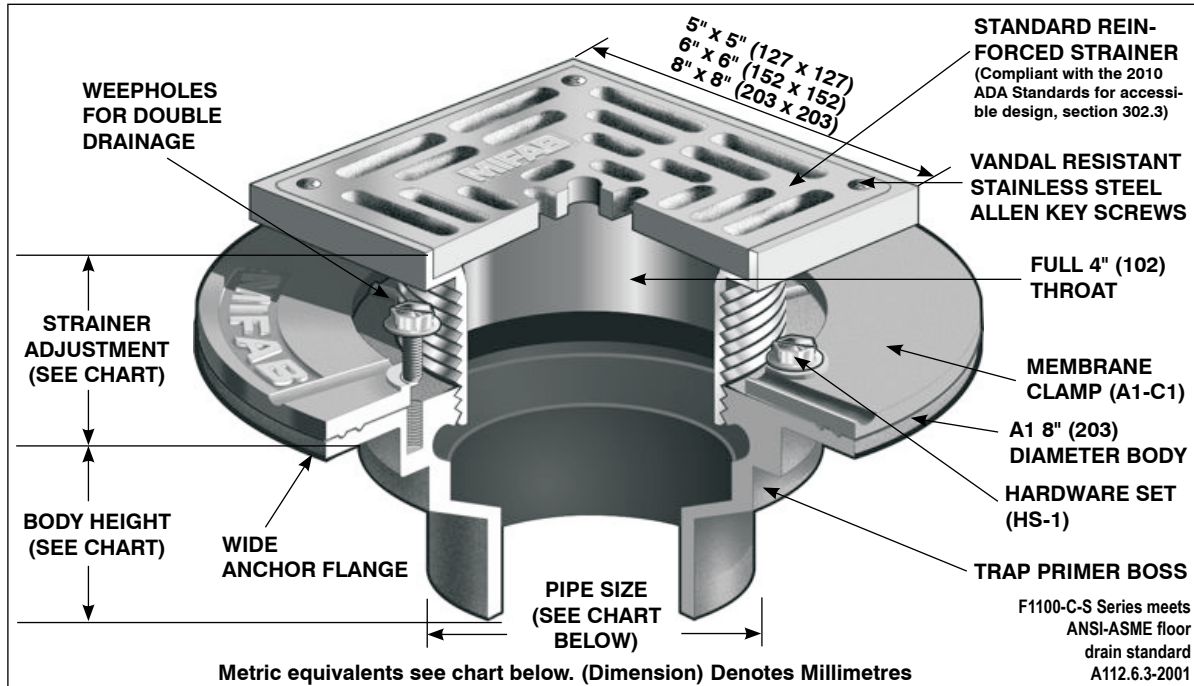


# F1100-C-S


## SQUARE FLOOR DRAIN FOR MEMBRANE FLOOR AREAS

**Specification:** MIFAB Series F1100-C-S lacquered cast iron floor drain with anchor flange, cast iron membrane clamp ring with primary and secondary weepholes for waterproofing membrane, and standard reinforced, (specify size), square (specify material finish) strainer. (For non-membrane floors, use MIFAB F1100-S Series.)


**Function:** Used in showers, kitchens, restrooms and other membrane finished areas. Square adjustable strainer is used for floors that are finished of material or straight line patterns. Membrane clamp is provided to secure the waterproofing membrane.



**PARTS:**




A1 BODY




A1-C1

S(\*)-(\*\*)  
(\*) Denotes Strainer Size (5"x5", 6"x6", 8"x8" or 10"x10")  
(\*\*) Denotes Strainer Finish (-1, -3 or -4)



HS-1



HS-1

F1100-C-S Series meets ANSI-ASME floor drain standard A112.6.3-2001

Metric equivalents see chart below. (Dimension) Denotes Millimetres

| STRAINER SIZE            | STRAINER ADJUSTMENT |                 | ANSI/ASME RATING                            |                    |                       | PIPE SIZE             | BODY HEIGHT          |                    |                            |                            |                            |                              |
|--------------------------|---------------------|-----------------|---|--------------------|-----------------------|-----------------------|----------------------|--------------------|----------------------------|----------------------------|----------------------------|------------------------------|
|                          | MIN                 | MAX             | FREE AREA                                   | LOAD RATING        |                       |                       | NO HUB (STANDARD)    | PUSH ON (P)        | THREADED (T)               | INSIDE CAULK (X)           | PVC/ABS (-30)/(-31)        |                              |
|                          |                     |                 |   | N.B. (-1)          | S.S. (-3)             |                       |                      |                    |                            |                            |                            | D.I. (-4)                    |
| 5" x 5"<br>(127 x 127)   | 5/8"<br>(15)        | 1 9/16"<br>(40) | 9 in <sup>2</sup><br>(5800 <sup>2</sup> )   | UP TO<br>2000 LBS. | 5000-<br>7499<br>LBS. | --                    | 2" (51)<br>3" (76)   | 3" (76)<br>3" (76) | 3 3/8" (86)<br>3 3/8" (86) | 2 1/4" (57)<br>2 5/8" (67) | 3 3/4" (95)<br>3 3/4" (95) | 2 15/16" (75)<br>3 3/4" (95) |
| 6" x 6"<br>(152 x 152)   | 7/8"<br>(22)        | 1 9/16"<br>(40) | 12 in <sup>2</sup><br>(7700 <sup>2</sup> )  | UP TO<br>2000 LBS. | 5000-<br>7499<br>LBS. | --                    | 4" (102)<br>5" (127) | 3" (76)<br>3" (76) | 3 3/8" (86)<br>--          | 2 5/8" (67)<br>2 5/8" (67) | 3 3/4" (95)<br>3 3/4" (95) | 3 3/4" (95)<br>--            |
| 8" x 8"<br>(203 x 203)   | 1 1/4"<br>(32)      | 2 3/16"<br>(56) | 26 in <sup>2</sup><br>(16800 <sup>2</sup> ) | UP TO<br>2000 LBS. | 5000-<br>7499<br>LBS. | OVER<br>10000<br>LBS. | 6" (152)             | 3 1/4" (83)        | 6 1/2" (165)               | --                         | --                         | --                           |
| 10" x 10"<br>(254 x 254) | 1 1/4"<br>(32)      | 2 3/16"<br>(56) | 28 in <sup>2</sup><br>(19913 <sup>2</sup> ) | --                 | 5000-7499<br>LBS.     | --                    |                      |                    |                            |                            |                            |                              |

| SUFFIX | OPTIONAL VARIATIONS                                  | SUFFIX | OPTIONAL VARIATIONS                                | SUFFIX     | OPTIONAL VARIATIONS   |
|--------|--|--------|--|------------|---|
| -1     | Nickel bronze strainer                               | -31    | ABS socket connection body                         | -C2        | High rough-in membrane clamp (min. 1 9/16" (40))            |
| -3     | Stainless steel strainer                             | -34    | Closure plug                                       | -F6        | 6" Round funnel   |
| -4     | Ductile iron grate (8" x 8" only)                    | -40    | Underdeck clamp                                    | (Standard) | No hub outlet   |
| -5     | Sediment bucket                                      | -41    | Sump receiver                                      | -G         | Oval 4" x 9" funnel   |
| -6     | Security screws (T-20 Torx & pin)                    | -49    | Chrome Plated Strainer                             | -HC        | Heel proof grate (1/4" maximum grate opening size, -3 only) |
| -7     | 1/2" trap seal primer connection                     | -90    | Threaded side outlet (2", 3", 4") (cast iron only) | -J         | 6" x 3" x 1" funnel   |
| -8     | Backwater valve (2", 3", 4")                         | -90NH  | No hub side outlet (2", 3", 4") (cast iron only)   | P          | Push on outlet  |
| -11    | Acid resistant epoxy coated body                     | -95    | Client logo  | -PA        | Pennsylvania Steel Act compliant product                    |
| -13    | Galvanized body                                      | -BA    | Buy American Act compliant product                 | T          | Threaded outlet (2", 3", 4")                                |
| -15    | Extension  | -F4    | 4" Round funnel                                    | X          | Inside caulk outlet   |
| -21    | Secondary flat stainless steel strainer (2", 3", 4") |        |  | -Z         | Extended wide elastomeric flange                            |
| -28    | Stainless steel body (Type 304)                      |        |  |            |   |
| -30    | PVC socket connection body                           |        |  |            |   |

Job Name: \_\_\_\_\_ Page No: \_\_\_\_\_  
 Section No: \_\_\_\_\_ Contract: \_\_\_\_\_  
 Schedule No: \_\_\_\_\_ Purchase Order No: \_\_\_\_\_