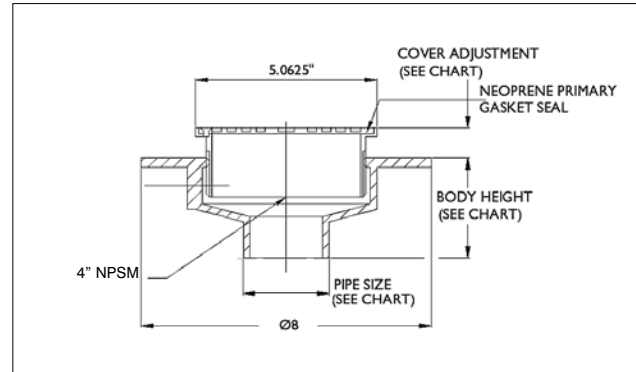
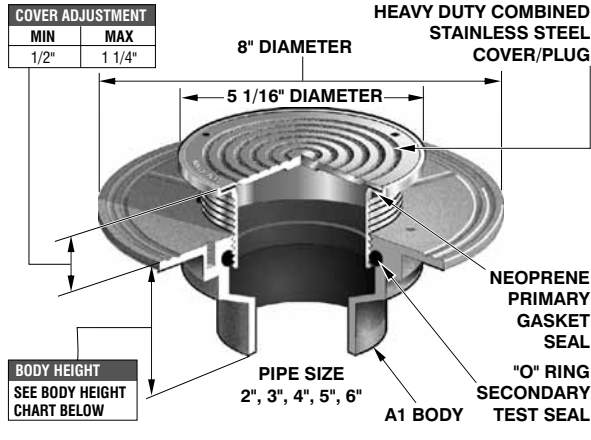


C1000-R FLOOR CLEANOUT WITH STAINLESS STEEL ROUND TOP

C1000-R SERIES

SERIES

CLEANOUTS



C1000 SERIES MEETS ANSI CLEANOUT STANDARD A112.36.2M-1991

A1 BODY HEIGHT

PIPE SIZE	NO HUB (STANDARD)	PUSH ON (P)	THREADED (X)	INSIDE CAULK (T)	PVC (-30)	ABS (-31)
2"	3"	3 3/8"	2 1/4"	3 3/4"	2 15/16"	
3"	3"	3 3/8"	2 5/8"	3 3/4"	3"	
4"	3"	3 3/8"	2 5/8"	3 1/2"	3"	
5"	3"	-	2 5/8"	6 7/8"	-	
6"	3 1/4"	6 1/2"	-	-	-	

ANSI/ASME RATING

COVER	LOAD RATING
5" DIA. SS	5000-7499 lbs

PARTS

A1 BODY

R-3



C1000-R FLOOR CLEANOUT WITH STAINLESS STEEL ROUND TOP

MODEL NUMBER	WT. Lbs	COVER SIZE	OUTLET SIZE	LACQUERED CAST IRON BODY WITH STAINLESS STEEL (-3)
C1002-R-3	6.30	5" Round	2"	\$323.00
C1003-R-3	5.75	5" Round	3"	\$340.00
C1004-R-3	5.50	5" Round	4"	\$456.00
C1005,6-R-3	7.50	5" Round	5", 6"	\$741.00

C1000-R AND C1100-R SERIES OPTIONAL VARIATIONS:

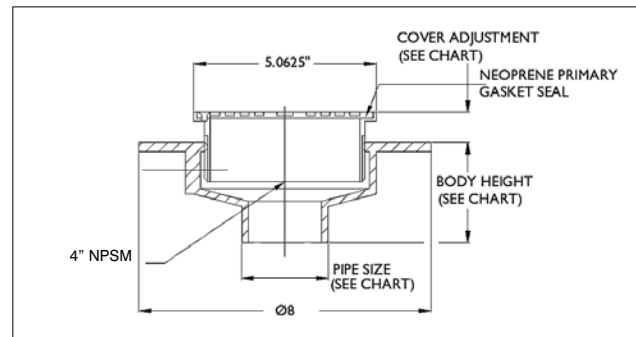
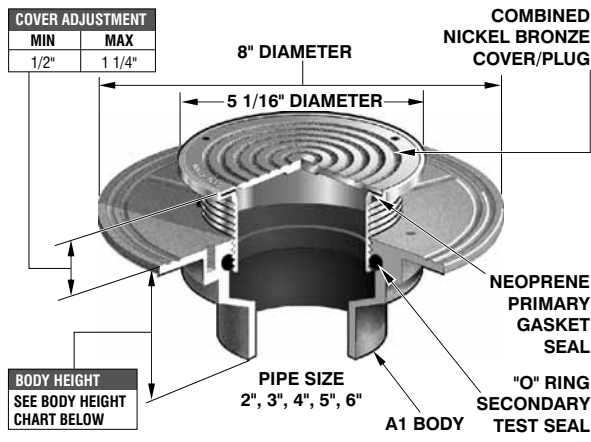
SUFFIX	DESCRIPTION	LIST PRICE	SUFFIX	DESCRIPTION (C1440 Series)	LIST PRICE
-6	Security screws (TR25 Torx & pin)	\$ 36.00	-C	Membrane clamp (A1-C1)	\$ 43.00
-11	Acid resistant epoxy coating (Min. order 25 pcs. or P.O.A)	\$ 185.00	-NH	No hub outlet	Standard
-13	All galvanized (Min. order 25 pcs. or P.O.A)	\$ 113.00	P	Push on outlet (2", 3", 4")*	No Add
-28	Stainless steel body (Type 304) (2", 3", 4")	P.O.A.	T	Threaded outlet (2", 3", 4")	\$ 40.00
-30	PVC socket connection body* (2", 3", 4")	No Add	X	Inside caulk outlet (2", 3", 4")	No Add
-31	ABS socket connection body* (2", 3", 4")	No Add	-Z	Extended wide flange (13" dia. x 1/8" thick)	P.O.A.
-34	T-cone plug and gasket (2", 3", 4") (C1440 Series)	\$187.00			

*2", 3", 4" socket connections only *Specify POG-6 for C.I. pipe and POG-6-PVC for PVC pipe. 2", 3", 4" sizes use same gasket.

C1100-R FLOOR CLEANOUT WITH NICKEL BRONZE ROUND TOP

C1100-R SERIES

SERIES



C1100 SERIES MEETS ANSI CLEANOUT STANDARD A112.36.2M-1991

ANSI/ASME RATING

COVER	LOAD RATING
5" DIA. NB	2000-4999 lbs
5" DIA. SS	5000-7499 lbs
5" DIA. DI	OVER 10,000 lbs

PARTS

A1 BODY

R-(*)



*Specify -1, -3 or XR-4

C1100-R FLOOR CLEANOUT WITH NICKEL BRONZE ROUND TOP

MODEL NUMBER	WT. Lbs	COVER SIZE	OUTLET SIZE	LACQUERED CAST IRON BODY WITH:		
				NICKEL BRONZE (-1)	STAINLESS STEEL (-3)	DUCTILE IRON (-4)
C1102-R	6.30	5" Round	2"	\$323.00	\$323.00	\$262.00
C1103-R	5.75	5" Round	3"	\$340.00	\$340.00	\$301.00
C1104-R	5.50	5" Round	4"	\$456.00	\$456.00	\$357.00
C1105,6-R	7.50	5" Round	5", 6"	\$741.00	\$741.00	\$624.00

Design and dimensions are subject to modification. Prices do not include applicable taxes. Visit www.mifab.com for the most recent product information.

MIFAB, Inc., 1321 West 119th Street, Chicago, Illinois 60643-5109, USA

Toll Free 1-800-465-2736, Fax 773-341-3049

All sales subject to MIFAB's Terms and Warranties. Please refer to inside front cover.