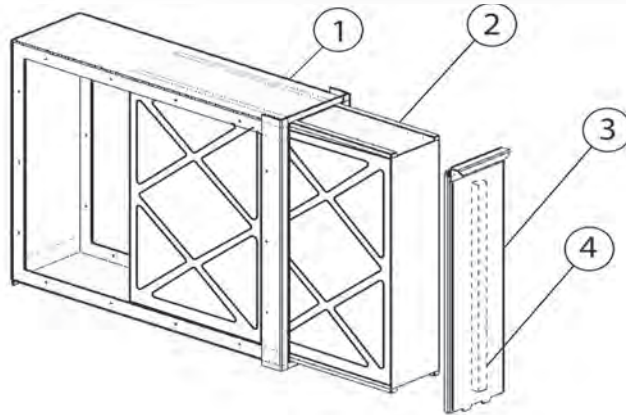


# Air Cleaner Replacement Parts

Parts Price Schedule



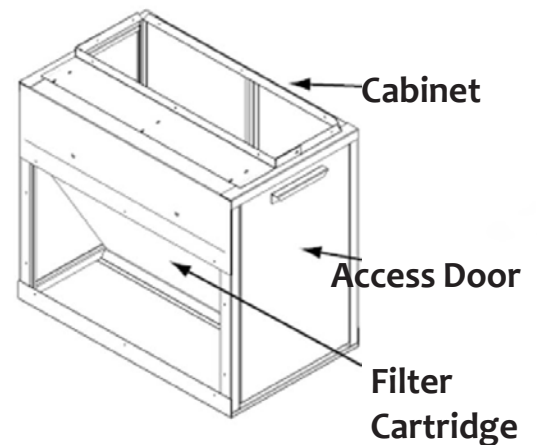
## MAC / MAC(M) Models 1200, 1400, 2000, 2020



Item	Qty. Req'd	GFI Number	Part Description	1200 + 1200M	1400 + 1400M	2000 + 2000M	2020 + 2020M	List / Retail
								Price Each
1	1	4505	14003 Replacement Cabinet			X		\$146.82
	1	4515	14023 Replacement Cabinet		X			\$146.82
	1	4525	14033 Replacement Cabinet	X				\$146.82
	1	4555	14172 Replacement Cabinet				X	\$146.82
2	1	4501	5FM2025 MERV 10 20 x 25 x 5 Cartridge Media Repl.			X		\$33.80
	1	4511	5FM1625 MERV 10 Cartridge Media Replacement		X			\$31.33
	1	4521	3FM1625 MERV 8 Cartridge Media Replacement	X				\$28.79
	1	4531	5FM2020 MERV 10 Media Replacement				X	\$32.18
3	1	4504	5MM02025 Metal Door			X	X	\$32.55
	1	4514	5MM01625 Metal Door		X			\$32.55
	1	4524	3MM01625 Metal Door	X				\$32.55
	1	4507	5MPD2025 Plastic Access Door			X	X	\$44.71
	1	4517	5MPD1625 Plastic Access Door		X			\$42.79
4	1	4506	27108 Door Seal			X	X	\$1.58
	1	4516	27151 Door Seal	X	X			\$1.58

## MAC-L

Qty. Req'd	GFI Number	Part Description	List / Retail
			Price Each
1	15078	Cabinet Assembly	\$261.65
2	15093	Access Door	\$79.60
2	P208	Filter Seal 1.00 W x .75 H x 20.12 L	\$2.27
1	4501	5FM2025 MERV 10 20 x 25 x 5 Cartridge Media Repl.	\$33.80



2% 10th Prox. Net 30 Days. F.O.B. Novi, Michigan \$5,000 Orders FFA

General Filters, Inc. 43800 Grand River Avenue Novi, Michigan 48375-1115 Toll Free (866) 476-5101 Fax (248) 349-2366 www.GeneralAire.com