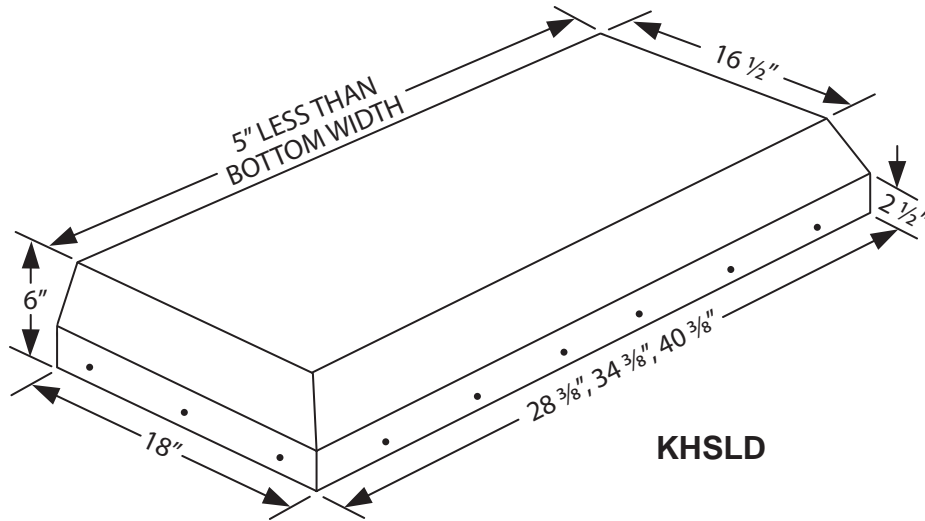


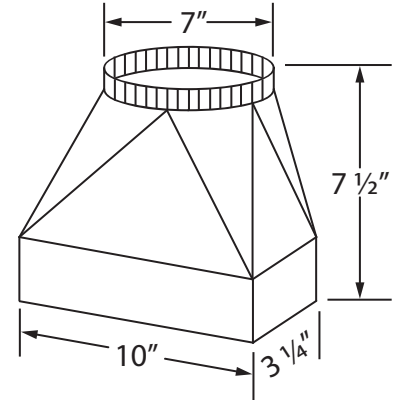
# Vent Hood® WALL MOUNT LINER INSERT SPECIFICATIONS

**KHSLD LINER** Halogen lights only. This model not available with heat lamps. This model only available in Black, Biscuit, Gunsmoke Gray, Stainless Steel, or White.



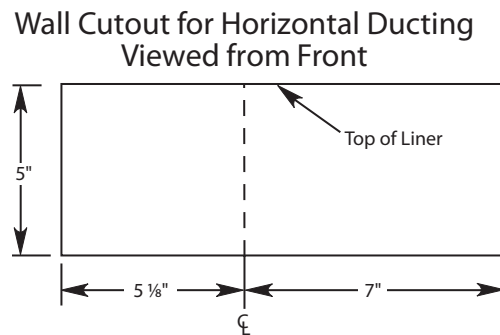
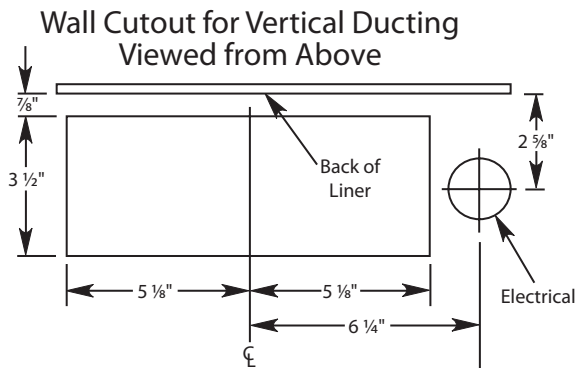
**KHSLD**

The VP521 transition is available for top vent applications at an additional charge.

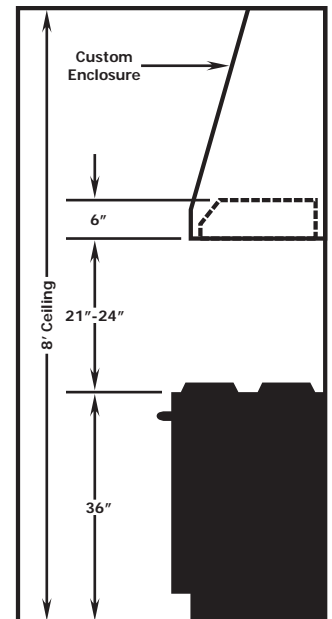


**Top Vent or Back Vent**  
3 1/4" x 10"

## Conection Diagrams (28 3/8", 34 3/4", & 40 3/8" Widths)



## Recommended Mounting Height\*



\*Exceeding recommended mounting height may compromise performance.

## Electrical/Mechanical Specifications For Blower Units

Model	Volts	Amps	Hz	RPM	CFM SP@0.0"	Equivalent CFM*	CFM SP@0.1"	CFM SP@0.2"	CFM SP@0.3"	Minimum Round Duct Size	Sones#
K250 (Top Vent)	115	3.2	60	1550	250	375	223	220	190	7" (38 in. <sup>2</sup> )	7.4
K250 (Back Vent)	115	3.2	60	1550	220	330	215	195	180	7" (38 in. <sup>2</sup> )	7.4

All K-Series hoods have two halogen lights.  
 \* Because the Magic Lung® blower uses centrifugal filtration rather than conventional baffle or mesh filters, the Magic Lung® blower can handle cooking equipment with higher cubic feet per minute (CFM) requirements and can deliver equivalent CFM much more efficiently than other filtration systems. When comparing the Magic Lung® with other blower units made by other manufacturers, use the "Equivalent CFM".  
 # Ratings in accordance with the Standard Test Code by the Energy Systems Laboratory of the Texas Engineering Experiment Station.

